



FIMO

Building Sustainable Innovation

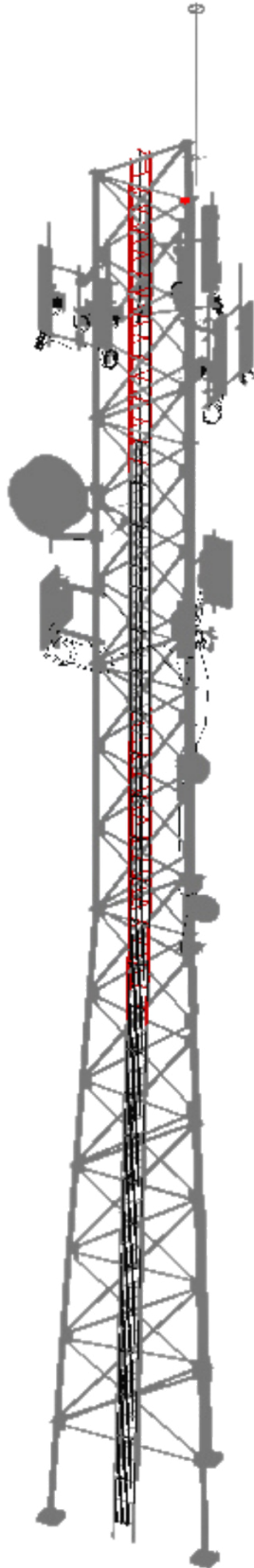
WANHO

 **FIMO** A FIMO Group Company

PRODUCT CATALOG





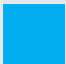




REVISION A





INDEX

Sections and Product Index

	PIM Blocker- Hanger Solutions	1
	Hanger Solutions	2
	Radiating Hanger Solutions	3
	Grounding Solutions	4
	Weatherproofing	5
	Cable Support	6
	Waveguide Bridge	7
	RRU & Antenna Mounts	8
	Site Related	9



ISO CERTIFIED
ISO 9001:2015
ISO 14001:2015





KNOW-HOW AND INNOVATION

In a constantly evolving market such as Telecommunications, FIMO Group is committed to always providing customers with tailor-made solutions. All FIMO's products are designed to meet any installation environment, surpassing sustainability criteria and reducing visual pollution.

Continuous investments in research and development, technology innovation, manufacturing process optimization and excellence in execution are key pillars of our strategy to support customers in every way.

With over 90 years of history, experience, and a significant geographical presence, the FIMO Group is positioned to address a wide variety of Telecom market segments.

OUR VISION, MISSION AND VALUES

Our mission is to support digital development by providing innovative and smart components and solutions, making FIMO the reference turnkey partner for telecom sites.

As digitalization is shaping the world, our vision is to be at the heart of this change, making our competence available for every player in the ecosystem.

To do so, we are committed to establishing win-win partnerships with our customers to deliver best-in-class solutions and value-added services.

Our values

INNOVATION

We pursue innovation to meet your requests helping you to cope with your end-users' requests and to anticipate market needs. The future already lives in our solutions.

SPEED

Speed is synonymous with efficiency, both in decision-making and execution. Thus our agile processes in the development of new products and our controlled supply chain make it possible to meet specific needs and optimize sites.

RELIABILITY

One of the distinctive features of FIMO is reliability. The solidity of our company, known all over the world, is a guarantee of security and sustainability for our customers and our partners.

OUR CUSTOMERS ... OUR FOCUS

FIMO has established strong relationships with the major players in the Telecommunication industry thanks to a unique understanding of their primary needs.

Customer centricity is guaranteed by ensuring that customers are always at the center of our business' philosophy, operations and ideas. This is a constant behavior of the FIMO Group. These values are reflected from product design all the way through to product delivery and provided by a constantly monitored level of service.



SUPPORTING THE SUSTAINABLE DEVELOPMENT OF THE WORLD'S TELECOM

The FIMO Group's products and solutions are designed to support the development of the world's telecom infrastructure. We provide custom products to many of the world's leading Telecoms operators, delivering solutions that help link communications to communities around the globe.

Our business units are Components, Infrastructure and Solutions.

Components

We offer any kind of cable clamps and fixing devices, weatherproofing kits, grounding kits, wall entries and other components. It represents one of the widest product lines in the market delivered through a diverse supply chain. FIMO offers a comprehensive range of products, services and the knowledge required to meet the increasing demands of current and potential customers in terms of quality, efficiency and cost-effectiveness.

Infrastructure

We offer rooftop and tower camouflage solutions, that perfectly integrate with the surrounding environment. FIMO Infrastructure provides our customers with top quality solutions and end-to-end support, from listening to customer needs to designing a tailor-made solution thru installation, we support your project.

Solutions

We provide any solution needed to smartly connect the different parts of telecom installation. A reliable supply chain, together with the capability to design customized products, position FIMO as a reference partner for telecom players regarding interconnection of devices.

OUR PEOPLE ... OUR STRENGTH

FIMO strongly relies on the expertise of its people to provide valuable solutions and services to all its customers on every continent. We continuously invest in our people's capabilities, strengthening our most valuable asset. We strongly support the value of teamwork, and we consider the quality of our human resource management as fundamental to the success of our business.

SUSTAINABILITY

We are committed to providing a full range of products and services that are environmentally sound throughout the entire production process and product lifecycle.



OUR FOOTPRINT





Delhi

Kolkata

Wuxi

Taiwan

Singapore

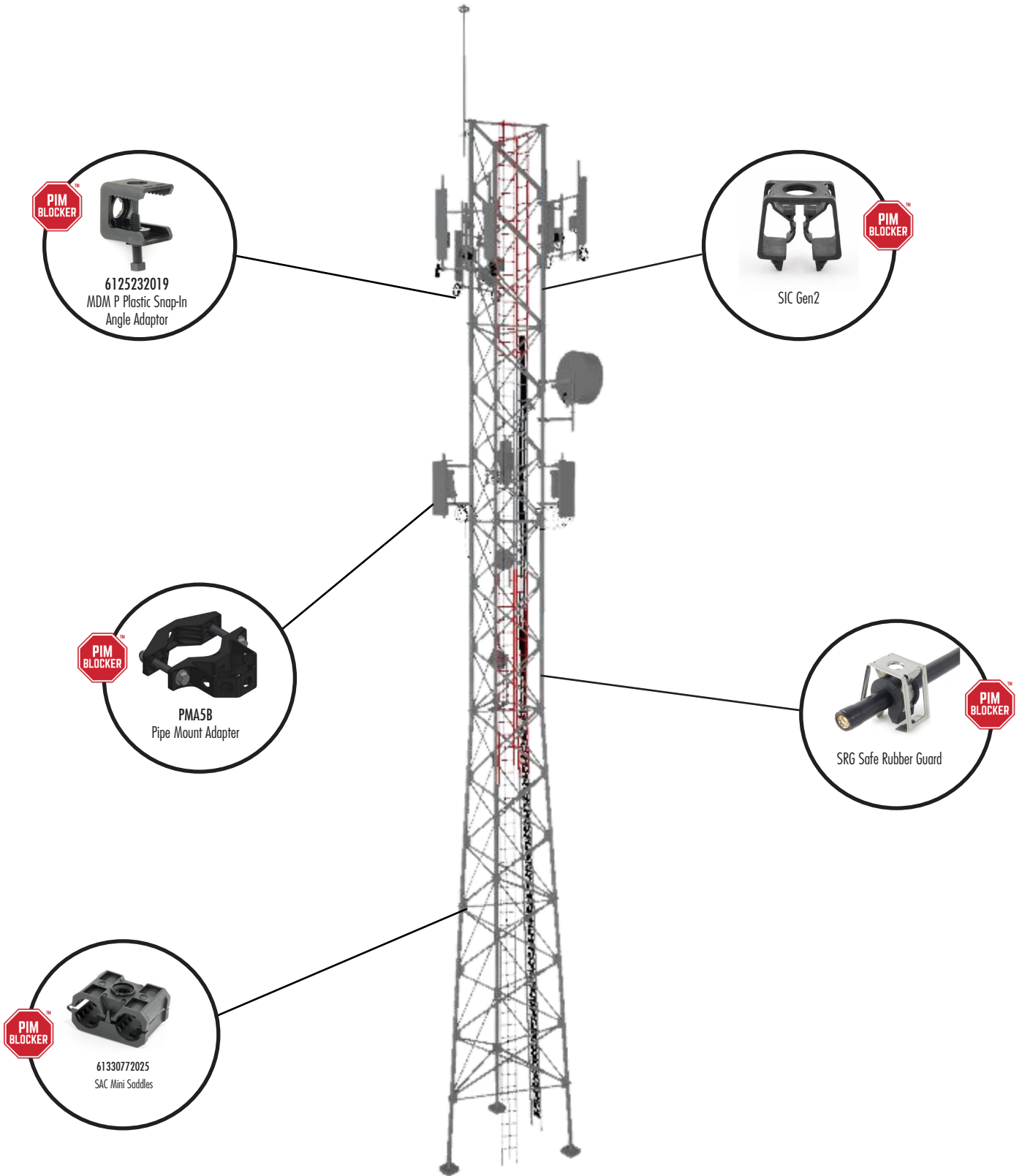
The Netherlands

Paris

Lyon

Milan Headquarters

Rome





PIM Blocker
Hanger Solutions

PIM BLOCKER- HANGER SOLUTIONS

SIC Plastic Snap-in Cable Clamps



Application: Cable Management
Size: 4mm - 17mm Cable
Design: Molded Polymer
Feature: 360° Rotation, Self-adjusting & Variable Diameter
Mounts to: 3/4" Hole
Material: Glass Reinforced Halogen Free PA
Includes: Snap-in Cable Clamps
Order Separately: Adapters



SIC Gen 2 Plastic Snap-in Cable Clamps



Application: Cable Management
Size: 4mm - 42mm Cable
Design: Molded Polymer
Feature: Wider Ranges, 360° Rotation, Self-adjusting & Variable Diameter
Mounts to: 3/4" Hole
Material: Glass Reinforced Halogen Free PA
Includes: Snap-in Cable Clamps
Order Separately: Adapters



Part #	Description	Kit Qty	Wt. Lbs (Wt. Kg)
6122090407	SIC 4-7 P Plastic Snap-in Cable Clamps for 4 - 7mm Cable	Kit of 10	0.26 (0.12)
6122090710	SIC 7-10 P Plastic Snap-in Cable Clamps, 7 - 10mm Cable	Kit of 10	0.26 (0.12)
6122091014	SIC 10-14 P Plastic Snap-in Cable Clamps, 10 - 14mm Cable	Kit of 10	0.26 (0.12)
6122091417	SIC 14-17 P Plastic Snap-in Cable Clamps, 14 - 17mm Cable	Kit of 10	0.26 (0.12)

*Patented Product

Part #	Description	Kit Qty	Wt. Lbs (Wt. Kg)
6122090411	SIC 4-11 P Plastic Cable Clamps For 4 - 11mm Cable	Kit of 10	0.28 (0.13)
6122091017	SIC 10-17 P Plastic Cable Clamps For 10 - 17mm Cable	Kit of 10	0.28 (0.13)

*Patented Product



Part #	Description	Kit Qty	Wt. Lbs (Wt. Kg)
6122091724	SIC 17-24 P Polymer Cable Clamps For 17 - 24mm Cable	Kit of 10	0.51 (0.23)
6122092330	SIC 23-30 P Polymer Cable Clamps For 23 - 30mm Cable	Kit of 10	0.51 (0.23)
6122093037	SIC 30-37 P Polymer Cable Clamps For 30 - 37mm Cable	Kit of 10	0.62 (0.28)
6122093542	SIC 35-42 P Polymer Cable Clamps For 35 - 42mm Cable	Kit of 10	0.67 (0.30)

*Patented Product

PIM BLOCKER- HANGER SOLUTIONS



SIC Hybrid Snap-in Hangers

Application:	Cable Management
Size:	1/2" to 1-5/8" Cable
Design:	Formed Steel and Molded Polymer
Feature:	PIM Friendly, Variable Diameter & Self-adjusting
Mounts to:	3/4" Hole
Material:	Stainless Steel & Glass Reinforced Halogen Free PA
Includes:	Snap-in Hanger
Order Separately:	Adapters



Available Exclusively Through
ConcealFab in North America



Part #	Description	Kit Qty	Wt. Lbs (Wt. Kg)
6121090020	SIC 1H Snap-in Hanger for 1/2" (13 - 19mm) Cable	Kit of 10	0.77 (0.35)
6121090030	SIC 2H Snap-in Hanger for 7/8" (26 - 30mm) Cable	Kit of 10	0.77 (0.35)
6121090040	SIC 3H Snap-in Hanger for 1-1/4" (36 - 42mm) Cable	Kit of 10	1.92 (0.87)
6121090050	SIC 4H Snap-in Hanger for 1-5/8" (48 - 52mm) Cable	Kit of 10	1.92 (0.87)

*Patented Product

PIM BLOCKER- HANGER SOLUTIONS

MDM P Plastic Angle Adapters



Application: Cable Management
Size: 3/4" and/or 3/8" Hole
Design: Molded Polymer
Feature: Angle Adapter or 3-way Standoff
Mounts to: Angled or Round Members
Material: Glass Reinforced Halogen Free PA
Includes: Angle Adapter
Order Separately: Round Member Adapter or Acetal Banding



6125232019



6125233038

Part #	Description	Kit Qty	Wt. Lbs (Wt. Kg)
6125232019	MDM P Plastic Snap-In Angle Adaptor with Locking Screw	Kit of 10	1.57 (0.70)
6125233038	MDM P Plastic Universal Angle Adaptor with 3 x 3/8" Reduction inserts and Locking Screw	Kit of 10	1.67 (0.76)

*Patented Product

Universal Standoff Adapter



6125233019

Part #	Description	Kit Qty	Wt. Lbs (Wt. Kg)
6125233019	MDM P Plastic Universal Adaptor with 3 x 3/4" Holes (Round Member Adapter Purchased Separately)	Kit of 10	0.88 (0.40)

ISP Plastic Angle Adapter Inserts



Application: Cable Management
Size: 3/8" Threaded Insert
Design: Molded Polymer
Feature: Converts 3/4" Hole to 3/8" Threaded Hole
Mounts to: Adapters
Material: Glass Reinforced Halogen Free PA
Includes: (10) Inserts
Order Separately: Adapters, Hangers & Hardware



Part #	Description	Kit Qty	Wt. Lbs (Wt. Kg)
6125231938	ISP 3/8" Straight Reduction Insert for Hardware	Kit of 10	0.07 (0.03)

*Patented Product

PIM BLOCKER- HANGER SOLUTIONS



Universal 3 Way Standoff Adapter

Application: Cable Support
Design: Molded Polymer
Feature: 3-Way Mounting of Snap-In Clamps
Material: Engineered Plastic
Includes: Adapter
Order Separately: Acetal Banding, Angle Adapters

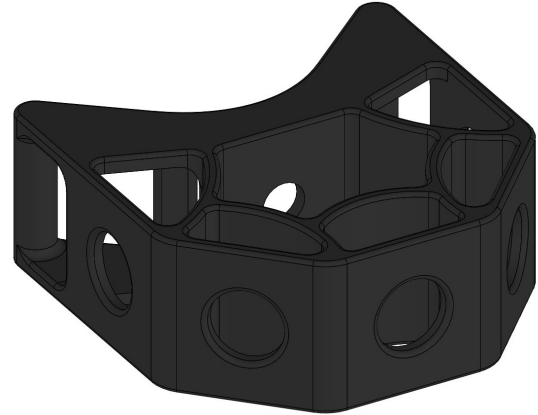


Part #	Description	Kit Qty	Wt. Lbs (Wt. Kg)
SA38P	Universal 3-Way Standoff Adapter	Kit of 10	1.21 (0.55)

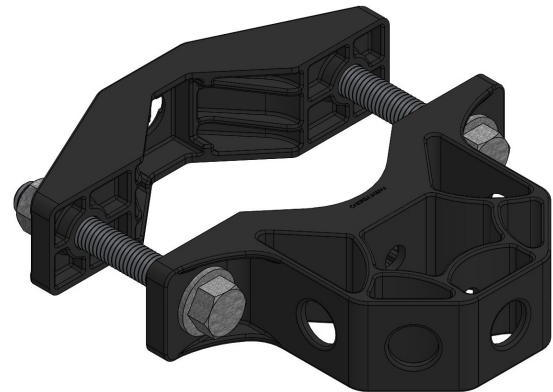


Universal 5 Way Standoff Adapter

Application: Cable Management
Design: Molded Polymer
Feature: 5-Way Mounting of Snap-in Clamps
Material: Engineered Plastic
Includes: Adapter
Order Separately: Acetal Banding



PMA5A



PMA5B

Part #	Description	Kit Qty	Wt. Lbs (Wt. Kg)
PMA5A	Pipe Mount Adapter, 5-Hole, Banding Version	Kit of 10	2.11 (0.96)
PMA5B	Pipe Mount Adapter, 5-Hole, Bolted Version	Each	1.1 (0.5)

*Patented Product

PIM BLOCKER- HANGER SOLUTIONS

Acetal Bands



Application: Cable Support
 Size: Universal
 Design: Meets Performance Requirements of Telecordia TR-TSY-00789
 Mounts to: Round Members
 Material: Acetal (Delrin®)
 Includes: Bands & Locking Heads
 Order Separately: Hangers & Adapters



Part #	Description	Kit Qty	Wt. Lbs (Wt. Kg)
TWAG16	Acetal Band with Pre-Attached Locking Heads, 1/2" x 16"	Kit of 50	1.51 (0.69)
TWAG18	Acetal Band with Pre-Attached Locking Heads, 1/2" x 18"	Kit of 50	1.68 (0.76)
TWAG27	Acetal Band with Pre-Attached Locking Heads, 1/2" x 27"	Kit of 25	1.19 (0.54)

Acetal Banding Locking Heads



Application: Cable Support
 Size: Universal
 Design: Meets Performance Requirements of Telecordia TR-TSY-00789
 Mounts to: Round Members
 Material: Acetal (Delrin®)
 Includes: Bands & Locking Heads
 Order Separately: Hangers & Adapters



Part #	Description	Kit Qty	Wt. Lbs (Wt. Kg)
TWAGLH25	Acetal Banding, Locking Head	Kit of 25	0.20 (0.09)
TWAGLH100	Acetal Banding, Locking Head	Kit of 100	0.79 (0.36)

Acetal Banding Reel



Part #	Description	Kit Qty	Wt. Lbs (Wt. Kg)
TWAGR50	Acetal Banding, 1/2" x 50' Reel	Kit of 1	0.94 (0.43)

Acetal Banding Tensioning Tool



Part #	Description	Kit Qty	Wt. Lbs (Wt. Kg)
TWRHDIT	Acetal Banding, Tensioning Tool	Kit of 1	0.54 (0.24)

PIM BLOCKER- HANGER SOLUTIONS



Large Cable Support Blocks

Application: Cable Support
Size: 4mm to 58mm Cable
Design: Molded Polymer
Feature: Compact, Multi-Run Hanger
Mounts from: 3/8" or M10 Threaded Rod
Material: Engineered Plastic
Includes: Cable Support Blocks
Order Separately: Mounting Hardware Kits & Barrel Cushions



Part #	Description	Kit Qty	Wt. Lbs (Wt. Kg)
CBA4	Cable Block for for 4mm x 6mm Fiber Kit	Kit of 10	1.26 (0.57)
CBA14	Cable Block for 1/4" (6 - 8mm) Cable	Kit of 10	0.98 (0.44)
CBA38	Cable Block for 3/8" (10 - 12mm) Cable	Kit of 10	1.19 (0.54)
CBA12	Cable Block for 1/2" (15 - 17mm) Cable	Kit of 10	1.43 (0.65)
CBA58	Cable Block for 5/8" (18 - 20mm) Cable	Kit of 10	1.43 (0.65)
CBA23	Cable Block for 22 - 24mm Cable	Kit of 10	1.50 (0.68)
CBA78	Cable Block for 7/8" (27 - 29mm) Cable	Kit of 10	1.80 (0.82)
CBA35	Cable Block for 34 - 36mm Cable	Kit of 10	2.00 (0.91)
CBA114	Cable Block for 1-1/4" (39 - 42mm) Cable	Kit of 10	2.50 (1.13)
CBA158	Cable Block for 1-5/8" (50 - 54mm) Cable	Kit of 10	3.06 (1.39)
CBA214	Cable Block for 2-1/4" (56 - 58mm) Cable	Kit of 10	3.06 (1.39)

Stainless Steel Mounting Hardware Kits for Cable Support Blocks and Hanger Clamps

Application: Cable Support
Size: 3/8"
Design: Hardware Kit for Cable Support Blocks
Material: Stainless Steel
Includes: 10 x Threaded rods, 30 x Hex Nuts, 20 x Lock & 40 x Flat Washers
Order Separately: Cable Support Blocks



Part #	Description	Kit Qty	Wt. Lbs (Wt. Kg)
CBHK1SS	3/8" x 4-3/4" Stainless Steel Hardware Kit for One Cable Block	Kit of 10	1.83 (0.83)
CBHK2SS	3/8" x 7-1/4" Stainless Steel Hardware Kit for Two Cable Blocks	Kit of 10	2.47 (1.12)
CBHK3SS	3/8" x 9-3/4" Stainless Steel Hardware Kit for Three Cable Blocks	Kit of 10	2.89 (1.31)

*Metric Hardware Available Upon Request

Galvanized Mounting Hardware Kits for Cable Support Blocks and Hanger Clamps

Application: Cable Support
Size: 3/8"
Design: Hardware Kit for Cable Support Blocks
Material: Hot Dip Galvanized Steel
Includes: 10 x Threaded rods, 30 x Hex Nuts, 20 x Lock & 20 x Flat Washers
Order Separately: Cable Support Blocks



Part #	Description	Kit Qty	Wt. Lbs (Wt. Kg)
HKSSCB158	3/8" x 4-1/4" Galvanized Hardware Kit for One Cable Block	Kit of 10	1.83 (0.83)
HKDSCB158	3/8" x 7" Galvanized Hardware Kit for Two Cable Blocks	Kit of 10	2.47 (1.12)
HKTSCB158	3/8" x 9-1/2" Galvanized Hardware Kit for Three Cable Blocks	Kit of 10	2.89 (1.31)

*Metric Hardware Available Upon Request

PIM BLOCKER- HANGER SOLUTIONS



BFI Threaded Rod Kits

Application: Cable Management
Size: 3/8" or M10
Design: Hardware for Saddle & Cable Blocks
Feature: Supports Cable Saddles & Blocks
Material: Stainless Steel
Includes: Threaded Rods, Hex Nuts, Lock & Flat Washers
Order Separately: Saddles & Cable Blocks

SEB Calibrated Twin Saddles

Application: Cable Management
Size: 4.5mm to 60mm Cable
Design: Molded Polymer
Feature: Multiple Cable Sizes, 2 & 4 Hole Saddles
Mounts to: 3/8" or M10 Threaded Rod
Material: Fibreglass Halogen Free PP
Includes: Saddles
Order Separately: 3/8" or M10 Mounting Hardware & Adapters



Part #	Description	Kit Qty	Wt. Lbs (Wt. Kg)
3/8" Threaded Rod Kits			
8510007004	BFI Threaded Rod Kit, 3/8"x 4"	Kit of 10	1.80 (0.82)
8510007006	BFI Threaded Rod Kit, 3/8"x 6"	Kit of 10	2.20 (1.00)
8510007008	BFI Threaded Rod Kit, 3/8"x 8"	Kit of 10	2.80 (1.27)
8510007012	BFI Threaded Rod Kit, 3/8"x12"	Kit of 10	3.20 (1.54)
M10 Threaded Rod Kits			
6115381010	BFI Threaded Rod Kit, M10 x 100mm	Kit of 10	1.80 (0.82)
6115381015	BFI Threaded Rod Kit, M10 x 150mm	Kit of 10	2.20 (1.00)
6115381020	BFI Threaded Rod Kit, M10 x 200mm	Kit of 10	2.80 (1.27)
6115381025	BFI Threaded Rod Kit, M10 x 250mm	Kit of 10	3.20 (1.54)
6115381030	BFI Threaded Rod Kit, M10 x 300mm	Kit of 10	3.60 (1.63)

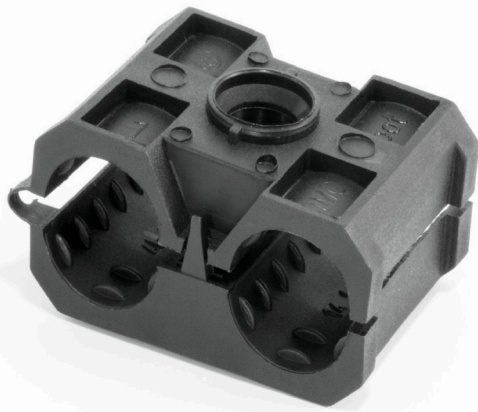
Twin Saddles Part #	Description	Kit Qty	Wt. Lbs (Wt. Kg)
6133074055	SEB Calibrated Twin Saddle for 4.5 - 5.5mm Cable	Kit of 20	0.80 (0.36)
6133074008	SEB Calibrated Twin Saddle for 6 - 8mm Cable	Kit of 20	1.06 (0.48)
6133074009	SEB Calibrated Twin Saddle for 8 - 9mm Cable	Kit of 20	1.00 (0.45)
6133074011	SEB Calibrated Twin Saddle for 10 - 11mm Cable	Kit of 20	1.00 (0.45)
6133074013	SEB Calibrated Twin Saddle for 12 - 13mm Cable	Kit of 20	1.40 (0.64)
6133074014	SEB Calibrated Twin Saddle for 1/2" S (13 - 14mm) Cable	Kit of 20	1.28 (0.60)
6133074012	SEB Calibrated Twin Saddle for 1/2" (16 - 17mm) Cable	Kit of 20	1.20 (0.54)
6133074021	SEB Calibrated Twin Saddle for 5/8" S (20 - 21mm) Cable	Kit of 20	2.20 (1.00)
6133074058	SEB Calibrated Twin Saddle for 5/8" (21 - 23mm) Cable	Kit of 20	2.00 (0.90)
6133074078	SEB Calibrated Twin Saddle for 7/8" (27 - 28mm) Cable	Kit of 20	1.80 (0.82)
6133074114	SEB Calibrated Twin Saddle for 1-1/4" (39 - 40mm) Cable	Kit of 20	2.96 (1.24)
6133074158	SEB Calibrated Twin Saddle for 1-5/8" (50 - 52mm) Cable	Kit of 20	4.20 (1.90)
6133074214	SEB Calibrated Twin Saddle for 2-1/4" (58 - 60mm) Cable	Kit of 20	5.00 (2.28)

PIM BLOCKER- HANGER SOLUTIONS



SAC Mini Saddles

Application: Cable Management
Size: 4mm to 21mm Cable
Design: Molded Polymer
Feature: One-Piece Hinged Design, Multiple Cable Sizes
Mounts to: 3/8" or M10 Threaded Rod
Material: Halogen Free PA
Includes: Saddles
Order Separately: 3/8" or M10 Mounting Hardware & Adapters



Part #	Description	Kit Qty	Wt. Lbs (Wt. Kg)
6133070507	SAC Mini Saddles for (1) 4 - 5mm & (1) 5 - 7mm Cable	Kit of 20	0.52 (0.24)
6133070511	SAC Mini Saddles for (1) 4 - 5mm & (1) 9 - 11mm Cable	Kit of 20	0.70 (0.32)
6133070514	SAC Mini Saddles for (1) 4 - 5mm & (1) 11 - 14mm Cable	Kit of 20	1.28 (0.58)
6133070709	SAC Mini Saddles for (1) 5 - 7mm & (1) 7 - 9mm Cable	Kit of 20	0.70 (0.32)
6133070711	SAC Mini Saddles for (1) 5 - 7mm & (1) 9 - 11mm Cable	Kit of 20	0.66 (0.30)
6133070714	SAC Mini Saddles for (1) 5 - 7mm & (1) 11 - 14mm Cable	Kit of 20	1.24 (0.56)
6133070717	SAC Mini Saddles for (1) 5 - 7mm & (1) 14 - 17mm Cable	Kit of 20	1.10 (0.50)
6133072712	SAC Mini Saddles for (1) 5 - 7mm & (1) 9 - 12mm Cable	Kit of 20	1.00 (0.48)
6133072717	SAC Mini Saddles for (1) 5 - 7mm & (1) 14 - 17mm Cable	Kit of 20	1.10 (0.50)
6133072714	SAC Mini Saddles for (1) 5 - 7mm & (1) 11 - 14mm Cable	Kit of 20	1.20 (0.54)
6133070720	SAC Mini Saddles for (1) 5 - 7mm & (1) 17 - 20mm Cable	Kit of 20	2.38 (1.08)
6133070911	SAC Mini Saddles for (1) 7 - 9mm & (1) 9 - 11mm Cable	Kit of 20	0.66 (0.30)
6133070914	SAC Mini Saddles for (1) 7 - 9mm & (1) 11 - 14mm Cable	Kit of 20	1.20 (0.54)

Part #	Description	Kit Qty	Wt. Lbs (Wt. Kg)
6133077205	SAC Mini Saddles for 4 - 5mm Cable	Kit of 20	0.80 (0.36)
6133077265	SAC Mini Saddles for 4.5 - 6.5mm Cable	Kit of 20	0.70 (0.32)
6133077207	SAC Mini Saddles for 5 - 7mm Cable	Kit of 20	0.74 (0.34)
6133077209	SAC Mini Saddles for 7 - 9mm Cable	Kit of 20	0.62 (0.28)
6133077211	SAC Mini Saddles for 9 - 11mm Cable	Kit of 20	0.52 (0.24)
6133070212	SAC Mini Saddles for 9 - 12mm Cable	Kit of 20	0.52 (0.24)
6133072214	SAC Mini Saddles for 11 - 14mm Cable	Kit of 20	1.10 (0.50)
6133072212	SAC Mini Saddles for 14 - 17mm Cable	Kit of 20	0.84 (0.38)
6133072220	SAC Mini Saddles for 17 - 20mm Cable	Kit of 20	1.86 (0.84)
6133072221	SAC Mini Saddles for 19 - 21mm Cable	Kit of 20	1.64 (0.74)

PIM BLOCKER- HANGER SOLUTIONS

SAM Hinged Single Saddles



Application: Cable Management
Size: 10mm to 52mm Cable
Design: Molded Polymer
Feature: Stackable & Hinged Design
Mounts to: 3/8" or M10 Threaded Rod
Material: Talc Reinforced Halogen Free PP
Includes: Saddles
Order Separately: 3/8" or M10 Mounting Hardware & Adapters



Quad Saddles Part #	Description	Kit Qty	Wt. Lbs (Wt. Kg)
6133074465	SEB Calibrated Twin Saddle for 4.5 - 5.5mm Cable	Kit of 20	1.20 (0.54)
6133074408	SEB Calibrated Twin Saddle for 6 - 8mm Cable	Kit of 20	1.54 (0.70)
6133074411	SEB Calibrated Twin Saddle for 8 - 9mm Cable	Kit of 20	1.54 (0.70)
6133074414	SEB Calibrated Twin Saddle for 10 - 11mm Cable	Kit of 20	2.20 (1.00)
6133074412	SEB Calibrated Twin Saddle for 12 - 13mm Cable	Kit of 20	2.20 (1.00)

Part #	Description	Kit Qty	Wt. Lbs (Wt. Kg)
6133150011	SAM Hinged Single Saddle for 10 - 11mm cable	Kit of 20	0.70 (0.32)
6133150014	SAM Hinged Single Saddle for 13 - 14mm cable	Kit of 20	1.00 (0.48)
6133150012	SAM Hinged Single Saddle for 1/2" (16 - 17mm) cable	Kit of 20	0.98 (0.44)
6133150021	SAM Hinged Single Saddle for 5/8" (20 - 21mm) cable	Kit of 20	1.76 (0.80)
6133150078	SAM Hinged Single Saddle for 7/8" (27 - 28mm) cable	Kit of 20	1.40 (0.64)
6133150114	SAM Hinged Single Saddle for 1-1/4" (39 - 40mm) cable	Kit of 20	2.20 (1.00)
6133150158	SAM Hinged Single Saddle for 1-5/8" (50 - 52mm) cable	Kit of 20	2.60 (1.20)

BAP Tower Adapter



Application: Cable Management
Size: 3/8" or M10 Mounting Hardware
Design: Molded Polymer
Feature: Adapts Round Members to Saddle Hanger
Mounts to: Round Member > 2"
Material: Halogen Free UV Resistant PA
Includes: Adapter
Order Separately: Threaded Rod, Acetal Banding & Saddles



Part #	Description	Kit Qty	Wt. Lbs (Wt. Kg)
6132091000	BAP Tower Adapter for 3/8" & M10 Threaded Rods	Kit of 20	1.32 (0.60)

NEXT GEN PIM SOLUTIONS

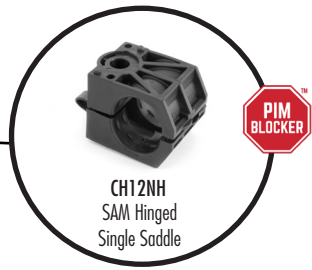
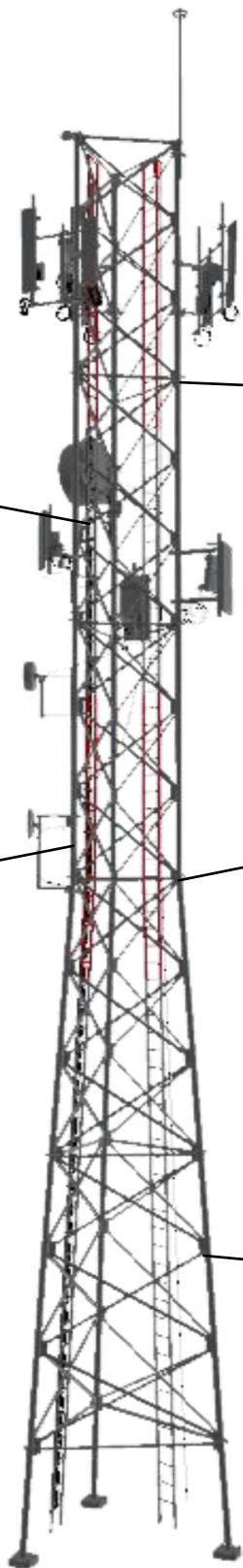


Building Sustainable Innovation



- ▶ Optimal design and high PIM performance compounded with high mechanical resistance and flexibility
- ▶ IM3 <-100 dBm when tested in accordance with IEC 62037-8, near field test, 2x 20W test tones, while subjected to dynamic stimulus
- ▶ UV stabilized, glass reinforced PA 6 for superior outdoor performance
- ▶ High factor of safety in all axial tests
- ▶ Versatile design for free hand, quick and easy installation without tools
- ▶ High ice and wind load resistance
- ▶ Innovative design for wide cable ranges to reduce inventory
- ▶ Superior durability with high thermal and chemical resistance

“Consider It Done”



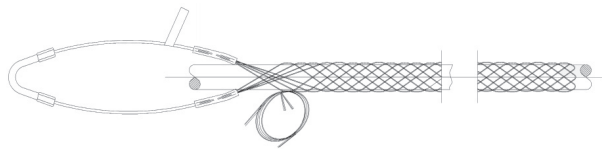


Hanger Solutions

HANGER SOLUTIONS

Lace-Up Wire Mesh Grips

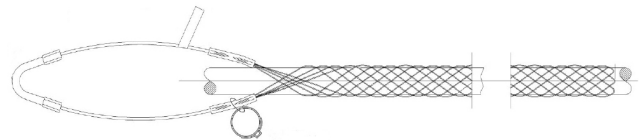
Application:	Cable Support
Size:	Cable & Elliptical Waveguide
Design:	For Hoisting, Pulling & Suspension
Feature:	Lace-Up Installation at any Point on Cable
Mounts to:	Engineered Attachment Point
Material:	Stainless Steel
Includes:	Wire Mesh Grip with Lace



Lace-up Wire Mesh Grip with Lace

Pre-Laced Wire Mesh Grips

Application:	Cable Support
Size:	3/8" to 2-1/4" Cable
Design:	For Hoisting, Pulling & Suspension
Feature:	Pre-Laced to Simplify Installation
Mounts to:	Engineered Attachment Point
Material:	Stainless Steel
Includes:	Wire Mesh Grip with Crimping Clamp



Pre-laced Wire Mesh Grip with Crimping Clamp

Part #	Description	Kit Qty	Wt. Lbs (Wt. Kg)
HG014	Lace-Up Wire Mesh Grip for 1/4" (7 - 10mm) Cable	Each	0.20 (0.10)
HG038	Lace-Up Wire Mesh Grip for 3/8" (10 - 15mm) Cable	Each	0.20 (0.10)
HG012	Lace-Up Wire Mesh Grip for 1/2" (15 - 20mm) Cable, EW180, WE190, WE191 and E185	Each	0.30 (0.10)
HG058	Lace-Up Wire Mesh Grip for 5/8" (20 - 25mm) Cable, EW122, EW127, EW132, WE122, WE130, WE150, E130 and E150	Each	0.40 (0.20)
HG078	Lace-Up Wire Mesh Grip for 7/8" (25 - 35mm) Cable, EW85, WE90, WE108 and E105	Each	0.60 (0.30)
HG0114	Lace-Up Wire Mesh Grip for 1-1/4" (35 - 45mm) Cable, EW64	Each	0.60 (0.30)
HG0158	Lace-Up Wire Mesh Grip for 1-5/8" (45 - 50mm) Cable, EW52 and EW63	Each	1.30 (0.60)
HG0214	Lace-Up Wire Mesh Grip for 2-1/4" (50 - 63mm) Cable EW37	Each	1.30 (0.60)

Part #	Description	Kit Qty	Wt. Lbs (Wt. Kg)
HGC14	Pre-Laced Wire Mesh Grip for 1/4" (7 - 10mm) Cable	Each	0.20 (0.10)
HGC38	Pre-Laced Wire Mesh Grip for 3/8" (10 - 15mm) Cable	Each	0.30 (0.10)
HGC12	Pre-Laced Wire Mesh Grip for 1/2" (15 - 20mm) Cable	Each	0.40 (0.20)
HGC58	Pre-Laced Wire Mesh Grip for 5/8" (20 - 25mm) Cable	Each	0.40 (0.20)
HGC78	Pre-Laced Wire Mesh Grip for 7/8" (25 - 35mm) Cable	Each	0.50 (0.20)
HGC114	Pre-Laced Wire Mesh Grip for 1-1/4" (35 - 45mm) Cable	Each	0.50 (0.20)
HGC158	Pre-Laced Wire Mesh Grip for 1-5/8" (45 - 50mm) Cable	Each	1.30 (0.60)
HGC214	Pre-Laced Wire Mesh Grip for 2-1/4" (50 - 63mm) Cable	Each	1.30 (0.60)

HANGER SOLUTIONS

Stackable Snap-In Hanger

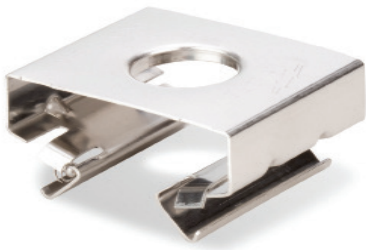
Application: Cable Support
Size: 1/2" to 1-5/8" Cable
Design: Formed Stainless Steel
Feature: Stackable
Mounts From: 3/4" Holes
Material: Stainless Steel



Part #	Description	Kit Qty	Wt. Lbs (Wt. Kg)
SHS12	Stackable Snap-In Hanger for 1/2" (13.7 - 16.2mm) Cable	Kit of 10	0.68 (0.31)
SHS78	Stackable Snap-In Hanger for 7/8" (26.7 - 31mm) Cable	Kit of 10	0.80 (0.36)
SHS114	Stackable Snap-In Hanger for 1-1/4" (37.5 - 43.2mm) Cable	Kit of 10	0.96 (0.43)
SHS158	Stackable Snap-In Hanger for 1-5/8" (48.2 - 52mm) Cable	Kit of 10	1.13 (0.51)

Angle Rail Adapter

Application: Cable Support
Size: 3/4" Hole for Snap-in Hangers
Mounts to: 1-5/8" Square Rail
Material: Stainless Steel



Part #	Description	Kit Qty	Wt. Lbs (Wt. Kg)
ARA22	Angle Rail Adapter 22mm for 1-5/8" Square Rail	Kit of 10	0.77 (0.35)

SIC Snap-in Hangers

Application: Cable Management
Size: 1/2" to 1-5/8"
Design: Formed Steel
Feature: Variable Diameter & Self-adjusting
Mounts to: 3/4" Hole
Material: Stainless Steel



Part #	Description	Kit Qty	Wt. Lbs (Wt. Kg)
6120090020	SIC 1 Snap-in Hanger for 1/2" (13 - 19mm) Cable	Kit of 10	0.77 (0.35)
6120090030	SIC 2 Snap-in Hanger for 7/8" (25 - 28mm) Cable	Kit of 10	0.77 (0.35)
6120090040	SIC 3 Snap-in Hanger for 1-1/4" (36 - 42mm) Cable	Kit of 10	1.92 (0.87)
6120090050	SIC 4 Snap-in Hanger for 1-5/8" (48 - 52mm) Cable	Kit of 10	1.92 (0.87)

HANGER SOLUTIONS

Universal Snap-In Hangers

Application: Cable Support
Size: 1/2" to 2-1/4" Cable
Feature: Universal Cable Diameter
Mounts to: 3/4" Holes
Material: Stainless Steel



Part #	Description	Kit Qty	Wt. Lbs (Wt. Kg)
SHU12	Universal Snap-In Hanger for 1/2" (16 - 18mm) Cable	Kit of 10	0.70 (0.30)
SHU58	Universal Snap-In Hanger for 5/8" (18 - 20mm) Cable	Kit of 10	1.00 (0.50)
SHU78	Universal Snap-In Hanger for 7/8" (27 - 29mm) Cable	Kit of 10	1.20 (0.50)
SHU114	Universal Snap-In Hanger for 1-1/4" (39 - 42mm) Cable	Kit of 10	1.30 (0.60)
SHU158	Universal Snap-In Hanger for 1-5/8" (49 - 52mm) Cable	Kit of 10	1.50 (0.70)
SHU214	Universal Snap-In Hanger for 2-1/4" (60 - 63mm) Cable	Kit of 10	1.70 (0.80)

Hanger Hardware Kits

Application: Cable Support
Mounts to: 7/16" Pre-Punched Hole
Material: Stainless Steel
Includes: (10) Bolts, (10) Nuts, & (10) Lock Washers
Order Separately: Butterfly Hangers



Part #	Description	Kit Qty	Wt. Lbs (Wt. Kg)
HK3410	Hanger Hardware Kit, 3/8" x 3/4" Slotted Hex Head Bolts, Lock Washers and Hex Nuts	Kit of 10	0.50 (0.20)
HK10010	Hanger Hardware Kit, 3/8" x 1" Slotted Hex Head Bolts, Lock Washers and Hex Nuts	Kit of 10	0.60 (0.30)

*Metric Hardware Kits Available Upon Request

Butterfly Hangers

Application: Cable Support
Design: Formed Stainless Steel
Feature: Heavy Wind Load Support
Mounts to: 7/16" Pre-Punched Hole
Material: Stainless Steel
Includes: Hangers
Order Separately: Hardware Kits & Adapters



Part #	Description	Kit Qty	Wt. Lbs (Wt. Kg)
BH12NH	Butterfly Hanger Kit for 1/2" (16 - 18mm) Cable	Kit of 10	1.00 (0.50)
BH58NH	Butterfly Hanger Kit for 5/8" (18 - 20mm) Cable EW127, EW132, WE130, WE150, E130 & E150	Kit of 10	1.10 (0.50)
BH78NH	Butterfly Hanger Kit for 7/8" (27 - 29mm) Cable EW85, EW90, WE108 & E105	Kit of 10	1.10 (0.50)
BH114NH	Butterfly Hanger Kit for 1-1/4" (39 - 42mm) Cable	Kit of 10	1.40 (0.60)
BH158NH	Butterfly Hanger Kit for 1-5/8" (49 - 52mm) Cable	Kit of 10	1.50 (0.70)
BH214NH	Butterfly Hanger Kit for 2-1/4" (60 - 63mm) Cable	Kit of 10	1.50 (0.70)
Elliptical Waveguide			
BH43NH	Butterfly Hanger Kit for EW43, WE37, WE46, E38 and ES46	Kit of 10	1.50 (0.70)
BH52NH	Butterfly Hanger Kit for EW52, WE61 and E60	Kit of 10	1.50 (0.70)
BH63NH	Butterfly Hanger Kit for EW63, WE65 and E65	Kit of 10	1.50 (0.70)
BH64NH	Butterfly Hanger Kit for EW64	Kit of 10	1.40 (0.60)
BH77NH	Butterfly Hanger Kit for EW77, WE78 and E78	Kit of 10	1.30 (0.60)
BH180NH	Butterfly Hanger Kit for EW180, WE191 and E185	Kit of 10	1.00 (0.50)

*Hanger Kits Including Hardware Available Upon Request

HANGER SOLUTIONS

Small Butterfly Hangers

Application: Cable Support
Size: 3/8" & 1/2" Cable
Design: Formed Stainless Steel
Feature: Heavy Wind Load Support
Mounts to: 7/16" Pre-Punched Hole
Material: Stainless Steel
Includes: Hangers
Order Separately: Hardware Kits & Adapters



Part #	Description	Kit Qty	Wt. Lbs (Wt. Kg)
BH3812	Butterfly Hanger Kit for 3/8" or 1/2" (9 - 12mm) Cable	Kit of 10	0.75 (0.34)

Clip Hangers

Application: Cable Support
Size: 1/2" to 1-5/8" Cable
Design: Formed Stainless Steel
Feature: Heavy Wind Load Support
Mounts to: 7/16" Pre-Punched Hole
Material: Stainless Steel
Includes: Hangers
Order Separately: Hardware Kits & Adapters



Part #	Description	Kit Qty	Wt. Lbs (Wt. Kg)
CH12NH	Clip Hanger Kit for 1/2" (9 - 12mm) Cable	Kit of 10	0.46 (0.21)
CH78NH	Clip Hanger Kit for 7/8" (9 - 12mm) Cable	Kit of 10	0.64 (0.29)
CH114NH	Clip Hanger Kit for 1-1/4" (9 - 12mm) Cable	Kit of 10	0.77 (0.35)
CH158NH	Clip Hanger Kit for 1-5/8" (9 - 12mm) Cable	Kit of 10	0.88 (0.44)

HANGER SOLUTIONS

Universal Barrel Cushions

Universal Barrel Cushions provide versatility in all applications reducing material and installation costs by mounting a wide range of cable sizes in a single cushion with a single attachment point.

The unique design allows Barrel Cushions to be individually installed utilizing Butterfly, Stackable Hangers, and Cable Blocks. Barrel Cushions are constructed from UV-resistant, EPDM rubber which is durable in extreme temperatures and harsh environmental conditions.

Universal Barrel Cushions are available to fit all standard cable hanger sizes and can accommodate a wide range of cable diameters.

Application:	Cable Support
Size:	1/2" to 2-1/4" Cable
Design:	Molded Rubber
Feature:	Universal Cable Fit
Mounts From:	Snap-in, Butterfly or Block Hangers
Material:	EPDM Rubber
Includes:	Barrel Cushions
Order Separately:	Hanger & Adapters

Part #	Description	Kit Qty	Wt. Lbs (Wt. Kg)
BCU12	Universal Barrel Cushion, 1/2" Hanger (4 - 10mm)	Kit of 10	0.26 (0.12)
BCU78	Universal Barrel Cushion, 7/8" Hanger (4 - 14mm)	Kit of 10	0.57 (0.26)
BCU114	Universal Barrel Cushion, 1-1/4" Hanger (14 - 25mm)	Kit of 10	1.10 (0.50)
BCU158	Universal Barrel Cushion, 1-5/8" Hanger (14 - 36mm)	Kit of 10	1.30 (0.59)
BCU158M7	Universal Barrel Cushion with 7 Holes, 1-5/8" Hanger (7 x 4 - 10mm)	Kit of 10	1.79 (0.81)
BCU214	Universal Barrel Cushion, 2-1/4" Hanger (14 - 43mm)	Kit of 10	2.36 (1.07)

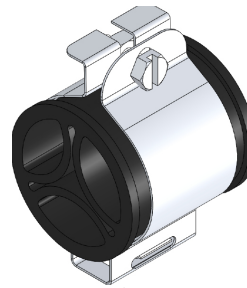
Our materials are:

- U.S. Engineered
- Patented product US9438021
- ROHS2 and REACH compliant
- Quality tested for durability and strength surpassing all industry standards

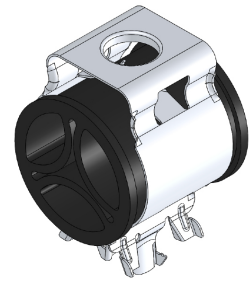
Mounting Options



BCU158



Butterfly Hanger



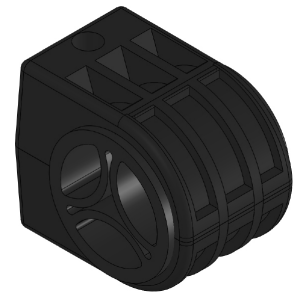
Snapin Hanger



BCU158M7



Cable Blocks



HANGER SOLUTIONS

Cushion Inserts

Application: Cable Support
Size: 1/4" to 1-1/4" Cable
Design: Molded Rubber
Feature: Single Run
Mounts From: Snap-in, Butterfly or Cable Block Hangers
Material: EPDM Rubber
Includes: Insert Barrel Cushions



Part #	Description	Hanger Size	Kit Qty	Wt. Lbs (Wt. Kg)
CIN3812	Cushion with 1 Hole, 1 x 3/8" (10 - 11mm)	1/2"	Kit of 10	0.20 (0.09)
CIN1478	Cushion with 1 Hole, 1 x 1/4" (7 - 8mm)	7/8"	Kit of 10	0.93 (0.42)
CIN3878	Cushion with 1 Hole, 1 x 3/8" (10 - 11mm)	7/8"	Kit of 10	0.95 (0.43)
CIN1278	Cushion with 1 Hole, 1 x 1/2" (15 - 17mm)	7/8"	Kit of 10	0.71 (0.32)
CIN536478	Cushion with 1 Hole, 1 x 53/64" (21 - 23mm)	7/8"	Kit of 10	0.40 (0.18)
CIN14114	Cushion with 1 Hole, 1 x 1/4" (7 - 8mm)	1-1/4"	Kit of 10	1.95 (0.88)
CIN38114	Cushion with 1 Hole, 1 x 3/8" (10 - 11mm)	1-1/4"	Kit of 10	1.90 (0.86)
CIN58114	Cushion with 1 Hole, 1 x 5/8" (19 - 21mm)	1-1/4"	Kit of 10	1.76 (0.80)
CIN17114	Cushion with 1 Hole, 1 x 17mm - 19mm	1-1/4"	Kit of 10	1.76 (0.80)
CIN22114	Cushion with 1 Hole, 1 x 22mm - 24mm	1-1/4"	Kit of 10	1.30 (0.59)
CIN28114	Cushion with 1 Hole, 1 x 27mm - 29mm	1-1/4"	Kit of 10	1.10 (0.50)
CIN33114	Cushion with 1 Hole, 1 x 33 - 35mm	1-1/4"	Kit of 10	0.59 (0.27)

*Additional Sizes Available Upon Request

HANGER SOLUTIONS

Barrel Cushions

Application: Cable Support
Size: 1/4" to 2-1/4" Cable
Design: Molded Rubber
Feature: Multi Run Cushions
Mounts From: Snap-in, Butterfly or Cable Block Hangers
Material: EPDM Rubber
Includes: Barrel Cushions




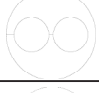
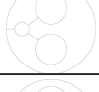
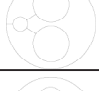
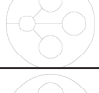

BC124



BC14381258



BC387

Part #	Description	Hanger Size	Kit Qty	Wt. Lbs (Wt. Kg)
BC2478	 Cushion with 1 Hole, 1 x 23 - 25mm	7/8"	Kit of 10	2.16 (0.98)
BC138158	 Cushion with 1 Hole, 1 x 34 - 36mm	1-5/8"	Kit of 10	1.62 (0.73)
BC134158	 Cushion with 1 Hole, 1 x 43 - 45mm	1-5/8"	Kit of 10	0.75 (0.34)
BC1023158	 Cushion with 2 Holes, 1 x 10 - 11mm & 1 x 22 - 24mm	1-5/8"	Kit of 10	2.40 (1.09)
BC582	 Cushion with 2 Holes, 2 x 20 - 22mm	1-5/8"	Kit of 10	2.20 (1.00)
BC1028158	 Cushion with 2 Holes, 1 x 10 - 11mm & 1 x 27 - 29mm	1-5/8"	Kit of 10	2.40 (1.09)
BC10202158	 Cushion with 3 Holes, 1 x 10 - 11mm & 2 x 19 - 21mm	1-5/8"	Kit of 10	2.04 (0.92)
BC10232158	 Cushion with 3 Holes, 1 x 10 - 11mm & 2 x 22 - 24mm	1-5/8"	Kit of 10	1.84 (0.83)
BC3819163	 Cushion with 4 Holes, 1 x 10 - 11mm & 3 x 14 - 16mm	1-5/8"	Kit of 10	2.70 (1.22)
BC124	 Cushion with 4 Holes, 4 x 15 - 17mm	1-5/8"	Kit of 10	1.80 (0.82)
BC053383	 Cushion with 6 Holes, 3 x 5 - 6mm & 3 x 10 - 11mm	1-5/8"	Kit of 10	2.91 (1.32)

*Additional Sizes Available Upon Request

HANGER SOLUTIONS

Barrel Cushions

Application: Cable Support
Size: 1/4" to 2-1/4" Cable
Design: Molded Rubber
Feature: Multi Run Cushions
Mounts From: Snap-in, Butterfly or Cable Block Hangers
Material: EPDM Rubber
Includes: Barrel Cushions



BC144582



BC144384



BC384582

Part #	Description	Hanger Size	Kit Qty	Wt. Lbs (Wt. Kg)
BC144122	 Cushion with 6 Holes, 4 x 6 - 7mm & 2 x 15 - 17mm	1-5/8"	Kit of 10	2.20 (1.00)
BC144384	 Cushion with 8 Holes, 4 x 6 - 7mm & 4 x 9 - 11mm	1-5/8"	Kit of 10	2.37 (1.07)
BC384122	 Cushion with 6 Holes, 4 x 10 - 11mm & 2 x 15 - 17mm	1-5/8"	Kit of 10	1.92 (0.87)
BC144582	 Cushion with 6 Holes, 4 x 6 - 7mm & 2 x 20 - 22mm	1-5/8"	Kit of 10	1.79 (0.81)
BC1439163	 Cushion with 6 Holes, 3 x 6 - 7mm & 3 x 14 - 16mm	1-5/8"	Kit of 10	2.56 (1.16)
BC6810121425	 Cushion with 6 Holes, 1 x 6 - 7mm, 1 x 8 - 9mm, 1 x 10 - 11mm, 1 x 11 - 13mm, 1 x 13 - 15mm & 1 x 24 - 26mm	1-5/8"	Kit of 10	1.61 (0.73)
BC387	 Cushion with 7 Holes, 7 x 9 - 10mm	1-5/8"	Kit of 10	2.14 (0.97)
BC064124	 Cushion with 8 Holes, 4 x 6 - 7mm & 4 x 11 - 13mm	1-5/8"	Kit of 10	1.70 (0.77)
BC567121530	 Cushion with 9 Holes, 2 x 5 - 6mm, 2 x 6 - 7mm, 2 x 7 - 8mm, 1 x 11 - 13mm, 1 x 14 - 16mm & 1 x 29 - 30mm	1-5/8"	Kit of 10	1.10 (0.50)
BC1410	 Cushion with 10 Holes, 10 x 5 - 7mm	1-5/8"	Kit of 10	2.58 (1.17)
BC384582	 Cushion with 6 Holes, 4 x 9 - 11mm & 2 x 20 - 22mm	2-1/4"	Kit of 10	2.44 (1.10)
BC14381258	 Cushion with 8 Holes, 4 x 6 - 7mm, 2 x 10 - 11mm, 1 x 15 - 17mm & 1 x 20 - 22mm	2-1/4"	Kit of 10	3.31 (1.50)



*Additional Sizes Available Upon Request

HANGER SOLUTIONS

Barrel Cushion Elliptical

Application: Cable Support
Size: Elliptical Waveguide
Design: Molded Rubber
Feature: Single/Multi Run
Mounts From: Snap-in, Butterfly, or Cable Block Hangers
Material: EPDM Rubber
Includes: Barrel Cushions



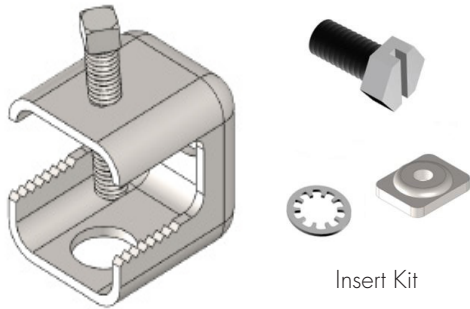
Part #		Description	Hanger Size	Kit Qty	Wt. Lbs (Wt. Kg)
CINE040638		Cushion Insert for 4mm x 6mm Cable	3/8"	Kit of 10	0.12 (0.05)
CINE040612		Cushion Insert for 4mm x 6mm Cable	1/2"	Kit of 10	0.23 (0.10)
BCE151		Elliptical Cushion for E015, 40mm x 28mm	1-5/8"	Kit of 10	1.87 (0.85)
BCE771		Elliptical Cushion for E78, EWP77 & EW77, 43mm x 25mm	1-5/8"	Kit of 10	1.74 (0.79)
BCE1051		Elliptical Cushion for EW85, EP100 & E105, 33mm x 20mm	1-5/8"	Kit of 10	2.21 (1.00)
BCE902		Elliptical Cushion for EW90, EWP90 & EWP90S, 33mm x 20mm	1-5/8"	Kit of 10	1.54 (0.70)
BCE2202		Elliptical Cushion for EWP180, EW180, E185, E038 & E220, 33mm x 20mm	1-5/8"	Kit of 10	2.67 (1.21)
BC2431		Elliptical Cushion, 24mm x 31mm	1-5/8"	Kit of 10	2.16 (0.98)
BCE601		Elliptical Cushion for E60, 33mm x 20mm	2-1/4"	Kit of 10	2.30 (1.04)
BCE631		Elliptical Cushion for EWP63, EW63, EWP63S, EWP64, EWP64, E65, EP70 & E11, 33mm x 20mm	2-1/4"	Kit of 10	2.20 (1.00)

*Additional Sizes Available Upon Request

HANGER SOLUTIONS

Universal Angle Adapters

Application: Cable Support
Size: 3/4" Holes with 3/8" Tapped Insert
Feature: Accepts Snap-ins or 3/8" Hardware
Mounts to: Up to 7/8" Angle Members
Material: Hot Dip Galvanized/Stainless Steel
Includes: Adapter, Set Bolt, Hanger Hardware Kit, Available With or Without Insert



Part #	Description	Kit Qty	Wt. Lbs (Wt. Kg)
AAGU	Universal Angle Adapter, Galvanized	Kit of 10	4.90 (2.20)
AAU	Universal Angle Adapter, Stainless Steel	Kit of 10	4.90 (2.20)
AAGUS	Universal Angle Adapter, Snap-In Version, Galvanized (Insert Kit Not Included)	Kit of 10	4.70 (2.10)
AAUS	Universal Angle Adapter, Snap-In Version, Stainless Steel (Insert Kit Not Included)	Kit of 10	4.70 (2.10)

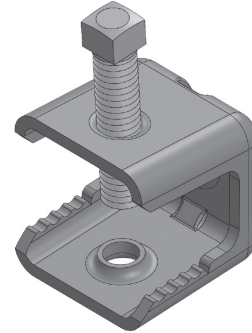
Universal 3-Way Stand-Off Adapter



Part #	Description	Kit Qty	Wt. Lbs (Wt. Kg)
SA38	Universal 3-Way Stand-Off Adapter, Stainless Steel	Kit of 10	1.10 (0.50)
SA38300	Universal 3-Way Stand-Off Adapter with 1" to 3" Round Member Adapter, Stainless Steel	Kit of 10	2.30 (1.00)
SA38500	Universal 3-Way Stand-Off Adapter with 1" to 5" Round Member Adapter, Stainless Steel	Kit of 10	2.40 (1.10)

Angle Adapters

Application: Cable Support
Size: 3/4" Holes or 3/8" Holes
Feature: Accepts Snap-ins, 3/8" Hardware
Mounts to: Up to 7/8" Angle Members, Round Member Adapters
Material: Hot Dip Galvanized/Stainless Steel
Includes: Adapter & Set Bolt



Part #	Description	Kit Qty	Wt. Lbs (Wt. Kg)
AAGL	Angle Adapter with 3/8" Tapped Holes, Galvanized	Kit of 10	4.87 (2.21)
AASL	Angle Adapter with 3/8" Tapped Holes, Stainless Steel	Kit of 10	4.25 (1.93)
UA3G	Universal Snap-In Angle Adapter, Galvanized	Kit of 10	5.01 (2.27)
UA3	Universal Snap-In Angle Adapter, Stainless Steel	Kit of 10	4.85 (2.20)

Insert Nut



Part #	Description	Kit Qty	Wt. Lbs (Wt. Kg)
SAUHG	Insert Square Nut, 3/8" Galvanized	Kit of 10	0.33 (0.13)
SAUH	Insert Square Nut, 3/8" Stainless Steel	Kit of 10	0.33 (0.13)

HANGER SOLUTIONS

Snap-in Standoff Adapter

Application: Cable Support
Size: 3/4" (19.1mm) Hole
Design: Formed Stainless Steel
Feature: Accepts Snap-in Hangers
Mounts to: 1" to 6" OD Round Members
Material: Stainless Steel
Includes: Adapter & Round Member Adapter
Order Separately: Hangers



Part #	Description	Kit Qty	Wt. Lbs (Wt. Kg)
SASS	Snap-in Standoff Adapter (Round Member Adapters Sold Separately)	Kit of 10	2.90 (3.10)
SASS100	Snap-in Standoff Adapter for 1" to 2" (25.4 - 50.8mm) Members	Kit of 10	3.80 (1.70)
SASS200	Snap-in Standoff Adapter for 1" to 3" (25.4 - 76.2mm) Members	Kit of 10	3.90 (1.80)
SASS300	Snap-in Standoff Adapter for 1" to 4" (25.4 - 101.6mm) Members	Kit of 10	4.00 (1.80)
SASS400	Snap-in Standoff Adapter for 1" to 5" (25.4 - 127.0mm) Members	Kit of 10	4.10 (1.90)
SASS500	Snap-in Standoff Adapter for 1" to 6" (25.4 - 152.4mm) Members	Kit of 10	4.10 (1.90)

Universal Standoff Adapter with Insert

Application: Cable Support
Size: 3/4" (19.1mm) Hole
Design: Formed Stainless Steel
Feature: Accepts Snap-in Hangers
Mounts to: 1" to 6" OD Round Members
Material: Stainless Steel
Includes: Adapter, Round Member Adapter & Insert
Order Separately: Hangers

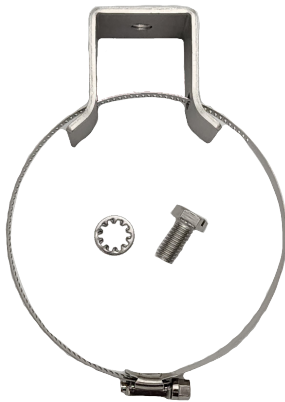


Part #	Description	Kit Qty	Wt. Lbs (Wt. Kg)
SAUS	Universal Stand-off Adapter, Insert Included, (Round Member Adapters Sold Separately)	Kit of 10	3.41 (1.55)
SAUS100	Standoff Adapter for 1" to 2" (25.4 - 50.8mm) Members, Insert Included	Kit of 10	2.82 (1.20)
SAUS200	Standoff Adapter for 1" to 3" (25.4 - 76.2mm) Members, Insert Included	Kit of 10	4.10 (1.90)
SAUS300	Standoff Adapter for 1" to 4" (25.4 - 101.6mm) Members, Insert Included	Kit of 10	4.10 (1.90)
SAUS400	Standoff Adapter for 1" to 5" (25.4 - 127.0mm) Members, Insert Included	Kit of 10	4.10 (1.90)
SAUS500	Standoff Adapter for 1" to 6" (25.4 - 152.4mm) Members, Insert Included	Kit of 10	4.10 (1.90)

HANGER SOLUTIONS

Standoff Adapter

Application: Cable Support
Size: 3/8" Threaded Hole
Design: Formed Stainless Steel
Feature: Accepts 3/8" Stainless Steel Hardware
Mounts to: 1" to 6" OD Round Members
Material: Stainless Steel
Includes: Adapter & Round Member Adapter



Round Member Adapters

Application: Cable Support
Size: 1/2" Wide, Adjustable Diameter
Feature: Adapts to Round Members
Mounts to: Versions from 1" to 10" Round Members
Material: Stainless Steel
Includes: Round Member Adapter
Order Separately: Hangers & Adapters



Part #	Description	Kit Qty	Wt. Lbs (Wt. Kg)
SA38S	Standoff Adapter Kit, 3/8" (9.5mm) Threaded Hole (Round Member Adapters Sold Separately)	Kit of 10	3.22 (1.46)
SA38S100	Standoff Adapter for 1" to 2" (25.4 - 50.8mm) Members	Kit of 10	3.63 (1.64)
SA38S200	Standoff Adapter for 2" to 3" (50.8 - 76.2mm) Members	Kit of 10	3.75 (1.70)
SA38S300	Standoff Adapter for 3" to 4" (76.2 - 101.6mm) Members	Kit of 10	3.88 (1.76)
SA38S400	Standoff Adapter for 4" to 5" (101.6 - 127.0mm) Members	Kit of 10	4.13 (1.87)
SA38S500	Standoff Adapter for 5" to 6" (127.0 - 152.4mm) Members	Kit of 10	4.36 (1.98)

*Metric Sizes Available Upon Request

Part #	Description	Kit Qty	Wt. Lbs (Wt. Kg)
RMA100	Round Member Adapter, 1" to 2" (25.4 - 50.8mm)	Kit of 10	0.80 (0.36)
RMA200	Round Member Adapter, 1" to 3" (25.4 - 76.2mm)	Kit of 10	1.00 (0.50)
RMA300	Round Member Adapter, 1" to 4" (25.4 - 101.6mm)	Kit of 10	1.20 (0.50)
RMA400	Round Member Adapter, 1" to 5" (25.4 - 127.0mm)	Kit of 10	1.30 (0.60)
RMA500	Round Member Adapter, 1" to 6" (25.4 - 152.4mm)	Kit of 10	1.30 (0.60)
RMA600	Round Member Adapter, 1" to 10" (25.4 - 203mm)	Kit of 10	1.30 (0.60)

*Individual and Additional Size Round Member Adapters Available Upon Request

HANGER SOLUTIONS

GOP Pole Collars

Application:	Cable Management
Size:	6 x 3/8" Holes
Design:	Formed Steel
Feature:	Adapts to Round Members for 3/8" Hanger Hardware
Mounts to:	2" to 5" Round Members
Material:	Stainless Steel
Includes:	Collar & Mounting Hardware
Order Separately:	Threaded Rod & Cable Hangers



Part #	Description	Kit Qty	Wt. Lbs (Wt. Kg)
6115160060	GOP Pole Collar with 6 Holes for 2" - 2 3/8" OD Pole	Kit of 20	5.74 (2.60)
6115160076	GOP Pole Collar with 6 Holes for 2 1/2" - 3" OD Pole	Kit of 20	7.06 (3.20)
6115160090	GOP Pole Collar with 6 Holes for 3" - 3 1/2" OD Pole	Kit of 20	8.24 (3.74)
6115160114	GOP Pole Collar with 6 Holes for 4" - 4 1/2" OD Pole	Kit of 20	9.26 (4.20)
6115160140	GOP Pole Collar with 6 Holes for 5" - 5 1/2" OD Pole	Kit of 20	11.68 (5.30)

BAC Hanger Kits

Application:	Cable Management
Size:	11 x 9mm to 78 x 43mm Waveguide
Design:	Molded Rubber & Stainless Steel
Feature:	Kitted Solution
Mounts to:	Round Members 2" - 6"
Material:	EPDM & Stainless Steel
Includes:	Cable Hanger & Mounting Hardware



Part #	Description	Kit Qty	Wt. Lbs (Wt. Kg)
6116530320	BAC Fastening System for WR 320 (11 x 9mm) Waveguide	Each	9.52 (4.30)
6116530221	BAC Fastening System for WR 220 (19 x 12mm) Waveguide	Each	9.32 (4.23)
6116530180	BAC Fastening System for WR 180 (23 x 13mm) Waveguide	Each	9.24 (4.20)
6116530140	BAC Fastening System for WR 140 (25 x 15mm) Waveguide	Each	9.17 (4.16)
6116530121	BAC Fastening System for WR 120 (28 x 19mm) Waveguide	Each	9.17 (4.16)
6116530100	BAC Fastening System for WR 100 (31 x 17mm) Waveguide	Each	8.93 (4.05)
6116530084	BAC Fastening System for WR 84 (38 x 19mm) Waveguide	Each	10.20 (4.60)
6116530070	BAC Fastening System for WR 70 (45 x 25mm) Waveguide	Each	11.35 (5.15)
6116530058	BAC Fastening System for WR 58 (52 x 32mm) Waveguide	Each	16.27 (7.38)
6116530048	BAC Fastening System for WR 48 (62 x 33mm) Waveguide	Each	17.22 (7.81)
6116530040	BAC Fastening System for WR 40 (78 x 43mm) Waveguide	Each	15.87 (7.20)

*Additional Configuration Available Upon Request

HANGER SOLUTIONS

Standard Cushion Hanger Kits

Application:	Cable Management
Design:	Molded Polymer
Feature:	Wider Ranges and Easy Install
Mounts to:	Round Members
Material:	Silicone & Stainless Steel
Includes:	Cushion, Clamp Head & Round Member Adapter

Part #	Description	Kit Qty	Wt. Lbs (Wt. Kg)
CHA381	Cushion Hanger Assembly with 1-Hole Cushion for 3/8" Cable	Kit of 5	2.30 (1.04)
CHA383	Cushion Hanger Assembly with 3-Hole Cushion for 3/8" Cable	Kit of 5	2.30 (1.04)
CHA389	Cushion Hanger Assembly with 9-Hole Cushion for 3/8" Cable	Kit of 5	2.30 (1.04)
CHA121	Cushion Hanger Assembly with 1-Hole Cushion for 1/2" Cable	Kit of 5	2.30 (1.04)
CHA122	Cushion Hanger Assembly with 2-Hole Cushion for 1/2" Cable	Kit of 5	2.30 (1.04)
CHA123	Cushion Hanger Assembly with 3-Hole Cushion for 1/2" Cable	Kit of 5	2.30 (1.04)
CHA124	Cushion Hanger Assembly with 4-Hole Cushion for 1/2" Cable	Kit of 5	2.30 (1.04)
CHA125	Cushion Hanger Assembly with 5-Hole Cushion for 1/2" Cable	Kit of 5	2.30 (1.04)
CHA12F1	Cushion Hanger Assembly with 1-Hole Cushion for 1/2" Flex Cable	Kit of 5	2.30 (1.04)
CHA12F2	Cushion Hanger Assembly with 2-Hole Cushion for 1/2" Flex Cable	Kit of 5	2.30 (1.04)
CHA12F3	Cushion Hanger Assembly with 3-Hole Cushion for 1/2" Flex Cable	Kit of 5	2.30 (1.04)
CHA12F4	Cushion Hanger Assembly with 4-Hole Cushion for 1/2" Flex Cable	Kit of 5	2.30 (1.04)
CHA581	Cushion Hanger Assembly with 1-Hole Cushion for 5/8" Cable	Kit of 5	2.30 (1.04)
CHA582	Cushion Hanger Assembly with 2-Hole Cushion for 5/8" Cable	Kit of 5	2.30 (1.04)
CHA583	Cushion Hanger Assembly with 3-Hole Cushion for 5/8" Cable	Kit of 5	2.30 (1.04)
CHA584	Cushion Hanger Assembly with 4-Hole Cushion for 5/8" Cable	Kit of 5	2.30 (1.04)
CHA781	Cushion Hanger Assembly with 1-Hole Cushion for 7/8" Cable	Kit of 5	2.30 (1.04)
CHA782	Cushion Hanger Assembly with 2-Hole Cushion for 7/8" Cable	Kit of 5	2.30 (1.04)

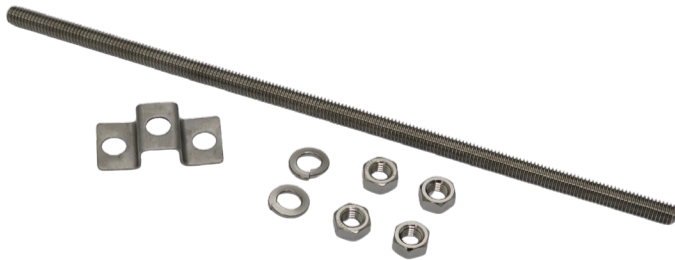


Part #	Description	Kit Qty	Wt. Lbs (Wt. Kg)
CHA783	Cushion Hanger Assembly with 3-Hole Cushion for 7/8" Cable	Kit of 5	2.30 (1.04)
CHA784	Cushion Hanger Assembly with 4-Hole Cushion for 7/8" Cable	Kit of 5	2.30 (1.04)
CHA1141	Cushion Hanger Assembly with 1-Hole Cushion for 2-1/4" Cable	Kit of 5	2.30 (1.04)
CHA1581	Cushion Hanger Assembly with 1-Hole Cushion for 1-5/8" Cable	Kit of 5	2.30 (1.04)
CHA2141	Cushion Hanger Assembly with 1-Hole Cushion for 2-1/4" Cable	Kit of 5	2.30 (1.04)
CHA371	Cushion Hanger Assembly with 1-Hole Cushion for WE37	Kit of 5	2.30 (1.04)
CHA461	Cushion Hanger Assembly with 1-Hole Cushion for WE46	Kit of 5	2.30 (1.04)
CHA521	Cushion Hanger Assembly with 1-Hole Cushion for EW52 and WE61	Kit of 5	2.30 (1.04)
CHA631	Cushion Hanger Assembly with 1-Hole Cushion for EW63 and WE65	Kit of 5	2.30 (1.04)
CHA632	Cushion Hanger Assembly with 1-Hole Cushion for EW85 and WE108	Kit of 5	2.30 (1.04)
CHA771	Cushion Hanger Assembly with 1-Hole Cushion for EW77, WE78 and E78	Kit of 5	2.30 (1.04)
CHA851	Cushion Hanger Assembly with 1-Hole Cushion for EW85 and WE108	Kit of 5	2.30 (1.04)
CHA901	Cushion Hanger Assembly with 1-Hole Cushion for EW90	Kit of 5	2.30 (1.04)
CHA1271	Cushion Hanger Assembly with 1-Hole Cushion for EW127, WE130 and E130	Kit of 5	2.30 (1.04)
CHA1501	Cushion Hanger Assembly with 1-Hole Cushion for WE150, EW132 and E150	Kit of 5	2.30 (1.04)
CHA1801	Cushion Hanger Assembly with 1-Hole Cushion for EW180, WE191 and E185	Kit of 5	2.30 (1.04)
CHA2201	Cushion Hanger Assembly with 1-Hole Cushion for EW220	Kit of 5	2.30 (1.04)

HANGER SOLUTIONS

Threaded Rod Support Kit

Application:	Cable Support
Size:	12" and 24" Threaded Rods
Design:	Formed Galvanized Steel
Feature:	Ceiling Mount
Material:	Galvanized & Stainless Steel
Includes:	Threaded Rod, Hex nuts & Mounting Bracket
Order Separately:	Hangers



Part #	Description	Kit Qty	Wt. Lbs (Wt. Kg)
TRSK12	Threaded Rod Support Kit, 12"	Each	0.50 (0.23)
TRSK125	Threaded Rod Support Kit, 12"	Kit of 5	2.50 (1.13)
TRSK24	Threaded Rod Support Kit, 24"	Each	0.80 (0.36)
TRSK245	Threaded Rod Support Kit, 24"	Kit of 5	4.00 (1.81)

RADIATING HANGER SOLUTIONS

RAW Monoblock Radiating Cable Clamps

Application:	Cable Management
Size:	15.5mm to 52mm Cable
Design:	Molded Polymer
Feature:	50mm & 80mm Insulating Standoff
Mounts to:	Walls & Ladders
Material:	Self Exhausting Halogen Free PA
Includes:	Cable Clamp
Order Separately:	MF & MFI Steel Anchors



Part #	Description	Kit Qty	Wt. Lbs (Wt. Kg)
80mm Standoff			
6150010012	RAW Monoblock Radiating Cable Clamps for 1/2" (15.5 - 17mm) Cable with 80mm Standoff	Each	0.09 (0.04)
6150010078	RAW Monoblock Radiating Cable Clamps for 7/8" (26.5 - 28mm) Cable with 80mm Standoff	Each	0.11 (0.05)
6150010079	RAW Monoblock Radiating Cable Clamps for 7/8" M (28 - 29.5mm) Cable with 80mm Standoff	Each	0.11 (0.05)
6150010114	RAW Monoblock Radiating Cable Clamps for 1-1/4" (38.5 - 40mm) Cable with 80mm Standoff	Each	0.11 (0.05)
6150010115	RAW Monoblock Radiating Cable Clamps for 1-1/4" M (40.5 - 42mm) Cable with 80mm Standoff	Each	0.11 (0.05)
6150010116	RAW Monoblock Radiating Cable Clamps for 1-1/4" M+ (41 - 42.5mm) Cable with 80mm Standoff	Each	0.11 (0.05)
6150010158	RAW Monoblock Radiating Cable Clamps for 1-5/8" (48.5 - 50.5mm) Cable with 80mm Standoff	Each	0.13 (0.06)
6150010159	RAW Monoblock Radiating Cable Clamps for 1-5/8" M (50.5 - 52mm) Cable with 80mm Standoff	Each	0.13 (0.06)

*Patented Product

Part #	Description	Kit Qty	Wt. Lbs (Wt. Kg)
50mm Standoff			
6150015012	RAW Monoblock Radiating Cable Clamps for 1/2" (15.5 - 17mm) Cable with 50mm Standoff	Each	0.07 (0.03)
6150015078	RAW Monoblock Radiating Cable Clamps for 7/8" (26.5 - 28mm) Cable with 50mm Standoff	Each	0.09 (0.04)
6150015079	RAW Monoblock Radiating Cable Clamps for 7/8" M (28 - 29.5mm) Cable with 50mm Standoff	Each	0.09 (0.04)
6150015114	RAW Monoblock Radiating Cable Clamps for 1-1/4" (38.5 - 40mm) Cable with 50mm Standoff	Each	0.11 (0.05)
6150015115	RAW Monoblock Radiating Cable Clamps for 1-1/4" M (40.5 - 42mm) Cable with 50mm Standoff	Each	0.11 (0.05)
6150015116	RAW Monoblock Radiating Cable Clamps for 1-1/4" M+ (41 - 42.5mm) Cable with 50mm Standoff	Each	0.11 (0.05)
6150015158	RAW Monoblock Radiating Cable Clamps for 1-5/8" (48.5 - 50.5mm) Cable with 50mm Standoff	Each	0.11 (0.05)
6150015159	RAW Monoblock Radiating Cable Clamps for 1-5/8" M (50.5 - 52mm) Cable with 50mm Standoff	Each	0.11 (0.05)

*Patented Product

RADIATING HANGER SOLUTIONS

RAW Monoblock Radiating Cable Clamps with Security Device

Application:	Cable Management
Size:	15.5mm to 52mm Cable
Design:	Molded Polymer & Formed Steel
Feature:	50mm & 80mm Standoff with Security Device
Mounts to:	Walls & Ladders
Material:	Self Exhausting Halogen Free PA & Stainless Steel
Includes:	Cable Clamp & Security Device
Order Separately:	MF & MFI Steel Anchors

Part #	Description	Kit Qty	Wt. Lbs (Wt. Kg)
80mm Standoff			
6150210012	RAW+RSD Radiating Cable Clamps for 1/2" (15.5 - 17mm) Cable with 80mm Standoff with Security Device	Each	0.11 (0.05)
6150210078	RAW+RSD Radiating Cable Clamps for 7/8" (26.5 - 28mm) Cable with 80mm Standoff with Security Device	Each	0.11 (0.05)
6150210079	RAW+RSD Radiating Cable Clamps for 7/8" M (28 - 29.5mm) Cable with 80mm Standoff with Security Device	Each	0.11 (0.05)
6150210114	RAW+RSD Radiating Cable Clamps for 1-1/4" (38.5 - 40mm) Cable with 80mm Standoff with Security Device	Each	0.13 (0.06)
6150210115	RAW+RSD Radiating Cable Clamps for 1-1/4" M (40.5 - 42mm) Cable with 80mm Standoff with Security Device	Each	0.13 (0.06)
6150210116	RAW+RSD Radiating Cable Clamps for 1-1/4" M+ (41 - 42.5mm) Cable with 80mm Standoff with Security Device	Each	0.13 (0.06)
6150210158	RAW+RSD Radiating Cable Clamps for 1-5/8" (48.5 - 50.5mm) Cable with 80mm Standoff with Security Device	Each	0.15 (0.07)
6150210159	RAW+RSD Radiating Cable Clamps for 1-5/8" M (50.5 - 52mm) Cable with 80mm Standoff with Security Device	Each	0.15 (0.07)

*Patented Product



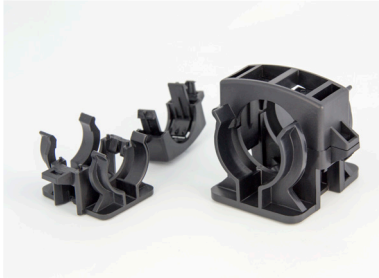
Part #	Description	Kit Qty	Wt. Lbs (Wt. Kg)
50mm Standoff			
6150215012	RAW+RSD Radiating Cable Clamps for 1/2" (15.5 - 17mm) Cable with 50mm Standoff with Security Device	Each	0.09 (0.04)
6150215078	RAW+RSD Radiating Cable Clamps for 7/8" (26.5 - 28mm) Cable with 50mm Standoff with Security Device	Each	0.11 (0.05)
6150215079	RAW+RSD Radiating Cable Clamps for 7/8" M (28 - 29.5mm) Cable with 50mm Standoff with Security Device	Each	0.11 (0.05)
6150215114	RAW+RSD Radiating Cable Clamps for 1-1/4" (38.5 - 40mm) Cable with 50mm Standoff with Security Device	Each	0.11 (0.05)
6150215115	RAW+RSD Radiating Cable Clamps for 1-1/4" M (40.5 - 42mm) Cable with 50mm Standoff with Security Device	Each	0.11 (0.05)
6150215116	RAW+RSD Radiating Cable Clamps for 1-1/4" M+ (41 - 42.5mm) Cable with 50mm Standoff with Security Device	Each	0.11 (0.05)
6150215158	RAW+RSD Radiating Cable Clamps for 1-5/8" (48.5 - 50.5mm) Cable with 50mm Standoff with Security Device	Each	0.13 (0.06)
6150215159	RAW+RSD Radiating Cable Clamps for 1-5/8" M (50.5 - 52mm) Cable with 50mm Standoff with Security Device	Each	0.13 (0.06)

*Patented Product

RADIATING HANGER SOLUTIONS

RAC Radiating Cable Clamps

Application: Cable Management
Size: 15mm to 51mm Cable
Design: Molded Polymer
Feature: Snaplock Closing
Material: Self Exhausting Halogen Free PA
Includes: Cable Clamps
Order Separately: Mounting Hardware, DRA Spacers



Part #	Description	Kit Qty	Wt. Lbs (Wt. Kg)
615000012	RAC Cable Clamp for 1/2" (15 - 18mm) Radiating Cables	Each	0.05 (0.02)
615000058	RAC Cable Clamp for 5/8" (20 - 23mm) Radiating Cables	Each	0.05 (0.02)
615000078	RAC Cable Clamp for 7/8" (27 - 29mm) Radiating Cables	Each	0.08 (0.03)
615000079	RAC Cable Clamp for 7/8" M (29 - 32mm) Radiating Cables	Each	0.08 (0.03)
6150000114	RAC Cable Clamp for 1-1/4" (38 - 40mm) Radiating Cables	Each	0.15 (0.07)
6150000158	RAC Cable Clamp for 1-5/8" (47 - 51mm) Radiating Cables	Each	0.26 (0.17)

*Patented Product

DRA Radiating Cable Clamp Spacers

Application: Cable Management
Size: 50 & 80mm Standoff Spacers
Design: Molded Polymer
Feature: Standoff for RAC Clamps
Material: Self Exhausting Halogen Free PA
Includes: Spacers
Order Separately: Radiating Cable Clamp



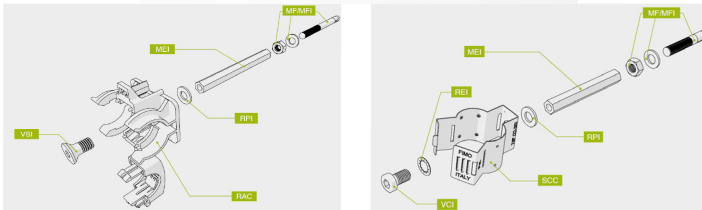
For RAC Part #	Description	Kit Qty	Wt. Lbs (Wt. Kg)
6160002450	DRA 50mm Spacers for RAC Clamps	Each	0.02 (0.01)
6160002480	DRA 80mm Spacers for RAC Clamps	Each	0.05 (0.02)

*Patented Product

RADIATING HANGER SOLUTIONS

MEI Hexagonal Steel Spacers

Application: Cable Management
Size: 50, 75 & 100mm
Design: Casted Steel
Feature: Hanger Stand-Off
Mounts to: Walls & Ladders
Material: Stainless Steel
Includes: Spacers, Screws & Flat Washers
Order Separately: Radiating Cable Clamp



For RAC Part #	Description	Kit Qty	Wt. Lbs (Wt. Kg)
6118081050	MEI 50mm Hexagonal Steel Spacer	Each	0.05 (0.02)
6118081075	MEI 75mm Hexagonal Steel Spacer	Each	0.08 (0.03)
6118081010	MEI 100mm Hexagonal Steel Spacer	Each	0.11 (0.05)

For SCC Part #	Description	Kit Qty	Wt. Lbs (Wt. Kg)
6118081050.01	MEI 50mm Hexagonal Steel Spacer with VCI Screw + 8/16 Flat Washer + REI 8 Washer	Each	0.05 (0.02)
6118081075.01	MEI 75mm Hexagonal Steel Spacer with VCI Screw + 8/16 Flat Washer + REI 8 Washer	Each	0.08 (0.03)
6118081100.01	MEI 100mm Hexagonal Steel Spacer with VCI Screw + 8/16 Flat Washer + REI 8 Washer	Each	0.11 (0.05)

SPS Plugs and Screws for RAC & RAW Clamps

Application: Cable Management
Feature: Wall Attachment
Mounts to: Wall
Order Separately: Radiating Cable Clamps



6129237085



1013020875

Part #	Description	Kit Qty	Wt. Lbs (Wt. Kg)
Screws			
6129237085	SPS Wood Screws, 7 x 85mm, Galvanized, for RAC & RAW Clamps	Each	0.02 (0.01)
6129237145	SPS Wood Screws, 7 x 145mm, Galvanized, for RAC & DRA50	Each	0.03 (0.01)
6129237165	SPS Wood Screws, 7 x 165mm, Galvanized, for RAC & DRA80	Each	0.06 (0.02)

Part #	Description	Kit Qty	Wt. Lbs (Wt. Kg)
MFI & MF			
1013020875	MFI Stainless Steel Anchor, M8 x 75mm, for MEI	Each	0.07 (0.03)
1013010870	MF Galvanized Steel Anchor, M8 x 70mm, for MEI	Each	0.07 (0.03)
1013020665.01	MFI Stainless Steel Anchor, M6 x 65mm, for RAW	Each	0.07 (0.03)
1013010655.01	MF Galvanized Steel Anchor, M6 x 55mm, for RAW	Each	0.07 (0.03)
1013020875.01	MFI Stainless Steel Anchor, M8 x 75mm, for RAW.08	Each	0.07 (0.03)
1013010870.01	MF Galvanized Steel Anchor, M8 x 70mm, for RAW.08	Each	0.07 (0.03)

3-4

RADIATING HANGER SOLUTIONS

SCC Click Collar Clamps

Application:	Cable Management
Size:	13mm to 52mm Cable
Design:	Formed Steel
Feature:	Quick Cable Installation
Mounts to:	3/8" or M10 Hardware
Material:	Stainless Steel
Includes:	Safety Collar
Order Separately:	Mounting Hardware, RAF8 Hanging Clamp

RAF8 Hanging Clamp

Application:	Cable Management
Design:	Formed Steel
Feature:	Adapts Hangers to Steel Rope
Mounts to:	6mm to 10mm Stainless Steel Ropes
Material:	Stainless Steel
Includes:	Hanging Clamp
Order Separately:	SCC Click Collars & RAC Cable Clamps



Part #	Description	Kit Qty	Wt. Lbs (Wt. Kg)
6120100020	SCC Click Collar for 1/2" (13 - 20mm) Radiating Cables	Kit of 20	0.07 (0.03)
6120100030	SCC Click Collar for 7/8" (22 - 30mm) Radiating Cables	Kit of 20	0.09 (0.04)
6120100040	SCC Click Collar for 1-1/4" (30 - 40mm) Radiating Cables	Kit of 20	0.09 (0.04)
6120100050	SCC Click Collar for 1-5/8" (40 - 52mm) Radiating Cables	Kit of 20	0.11 (0.05)

Part #	Description	Kit Qty	Wt. Lbs (Wt. Kg)
6115300108	RAF Hanging Clamp for 6 - 10mm Steel Ropes	Each	0.21 (0.09)

RADIATING HANGER SOLUTIONS

RAR Radiating Cable Clamps for Wire Ropes

Application:	Cable Management
Size:	15.5mm to 52mm Cable
Design:	Molded Polymer
Feature:	Hanging Clamps for Ropes
Mounts to:	6.5 - 7.5mm & 9.5 - 10.5mm Ropes
Material:	Self Exhausting Halogen Free PA & Stainless Steel
Includes:	Cable Clamp



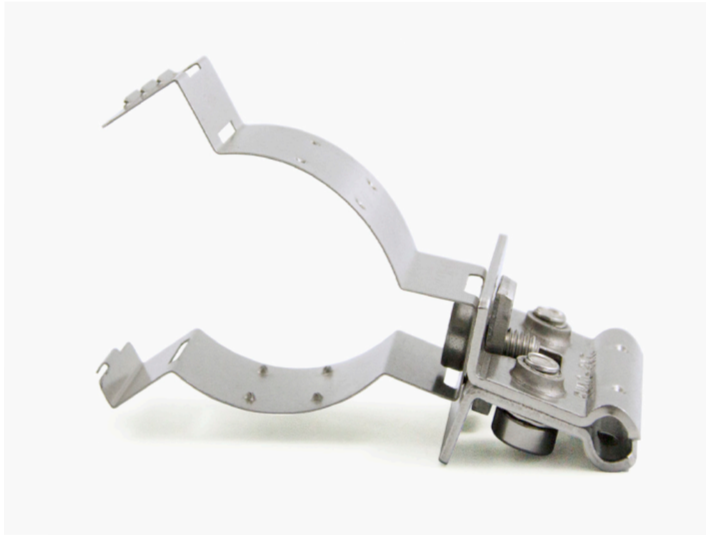
Part #	Description	Kit Qty	Wt. Lbs (Wt. Kg)
9.5 - 10.5mm ROPES			
6150510012	RAR Radiating Cable Clamp for 1/2" (15.5 - 17mm) Cable	Each	0.07 (0.03)
6150510078	RAR Radiating Cable Clamp for 7/8" (26.5 - 28mm) Cable	Each	0.08 (0.03)
6150510079	RAR Radiating Cable Clamp for 7/8" M (28 - 29.5mm) Cable	Each	0.08 (0.03)
6150510114	RAR Radiating Cable Clamp for 1-1/4" (38.5 - 40mm) Cable	Each	0.10 (0.04)
6150510115	RAR Radiating Cable Clamp for 1-1/4" M (40.5 - 42mm) Cable	Each	0.10 (0.04)
6150510116	RAR Radiating Cable Clamp for 1-1/4" M+ (41 - 42.5mm) Cable	Each	0.10 (0.04)
6150510158	RAR Radiating Cable Clamp for 1-5/8" (48.5 - 50.5mm) Cable	Each	0.11 (0.0)
6150510159	RAR Radiating Cable Clamp for 1-5/8" M (50.5 - 52mm) Cable	Each	0.11 (0.05)
6.5-7.5mm ROPES			
6150520012	RAR Radiating Cable Clamp for 1/2" (15.5 - 17mm) Cable	Each	0.07 (0.03)
6150520078	RAR Radiating Cable Clamp for 7/8" (26.5 - 28mm) Cable	Each	0.09 (0.04)
6150520079	RAR Radiating Cable Clamp for 7/8" M (28 - 29.5mm) Cable	Each	0.09 (0.04)
6150520114	RAR Radiating Cable Clamp for 1-1/4" (38.5 - 40mm) Cable	Each	0.10 (0.04)
6150520115	RAR Radiating Cable Clamp for 1-1/4" M (40.5 - 42mm) Cable	Each	0.10 (0.04)
6150520116	RAR Radiating Cable Clamp for 1-1/4" M+ (41 - 42.5mm) Cable	Each	0.10 (0.04)
6150520158	RAR Radiating Cable Clamp for 1-5/8" (48.5 - 50.5mm) Cable	Each	0.11 (0.05)
6150520159	RAR Radiating Cable Clamp for 1-5/8" M (50.5 - 52mm) Cable, Medium	Each	0.11 (0.05)

*Patented Product

RADIATING HANGER SOLUTIONS

SCC Click Collar Clamps for Wire Ropes

Application: Cable Management
Size: 13mm to 52mm Cable
Design: Formed Steel
Feature: Quick Cable Installation
Mounts to: 6mm to 10mm Stainless Steel Ropes
Material: Stainless Steel
Includes: Safety Collar & Hanging Clamp



Part #	Description	Kit Qty	Wt. Lbs (Wt. Kg)
6120130020	SCC Safety Collar for Radiating Cables on Ropes for 1/2" (13 - 20mm) Cable with RAF	Each	0.24 (0.11)
6120130030	SCC Safety Collar for Radiating Cables on Ropes for 7/8" (22 - 30mm) Cable with RAF	Each	0.27 (0.12)
6120130040	SCC Safety Collar for Radiating Cables on Ropes for 1-1/4" (30 - 40mm) Cable with RAF	Each	0.28 (0.13)
6120130050	SCC Safety Collar for Radiating Cables on Ropes for 1-5/8" (40 - 52mm) Cable with RAF	Each	0.29 (0.13)

RAP Hanging Cable Collar

Application: Cable Management
Size: 7/8" to 1-5/8" Cable
Design: Molded Polymer
Feature: Robust Support
Mounts to: 6mm to 7mm Ropes
Material: Self Exhausting Halogen Free PA & Stainless Steel
Includes: Cable Clamp and Mounting Hardware
Ordered Separately: SCC Clamps for Security Device



Part #	Description	Kit Qty	Wt. Lbs (Wt. Kg)
6150500078	RAP Hanging Cable Collar for 7/8" (27 - 28mm) Cable	Each	0.11 (0.05)
6150500114	RAP Hanging Cable Collar for 1-1/4" (39 - 40mm) Cable	Each	0.12 (0.05)
6150500158	RAP Hanging Cable Collar for 1-5/8" (50 - 52mm) Cable	Each	0.14 (0.06)

*Patented Product

RADIATING HANGER SOLUTIONS

RAW Monoblock Radiating Cable Clamps for Ladders

Application:	Cable Management
Size:	15.5mm - 52mm
Design:	Molded Polymer
Feature:	Ladder Mount
Material:	Self Exhausting Halogen Free PA
Includes:	Cable Clamp
Ordered Separately:	Ladder

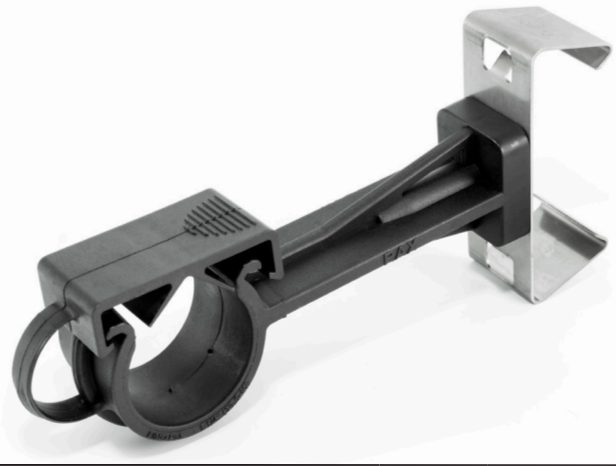


Part #	Description	Kit Qty	Wt. Lbs (Wt. Kg)
6150410012	RAR Monoblock Radiating Cable Clamps for 1/2" (15.5 - 17mm) Cable APP11 with 80mm standoff	Each	0.09 (0.04)
6150410078	RAR Monoblock Radiating Cable Clamps for 7/8" (26.5 - 28mm) Cable APP11 with 80mm standoff	Each	0.11 (0.05)
6150410079	RAR Monoblock Radiating Cable Clamps for 7/8" (28.5 - 29.5mm) Cable APP11 with 80mm standoff	Each	0.11 (0.05)
6150410114	RAR Monoblock Radiating Cable Clamps for 1-1/4" (38.5 - 40mm) Cable APP11 with 80mm standoff	Each	0.11 (0.05)
6150410115	RAR Monoblock Radiating Cable Clamps for 1-1/4" (40.5 - 42mm) Cable APP11 with 80mm standoff	Each	0.11 (0.05)
6150410116	RAR Monoblock Radiating Cable Clamps for 1-1/4" (41 - 42.5mm) Cable APP11 with 80mm standoff	Each	0.11 (0.05)
6150410158	RAR Monoblock Radiating Cable Clamps for 1-5/8" (48.5 - 50.5mm) Cable APP11 with 80mm standoff	Each	0.13 (0.06)
6150410159	RAR Monoblock Radiating Cable Clamps for 1-5/8" (50.5 - 52mm) Cable APP11 with 80mm standoff	Each	0.13 (0.06)
6150420012	RAR Monoblock Radiating Cable Clamps for 1/2" (15.5 - 17mm) Cable APP9 with 80mm standoff	Each	0.09 (0.04)
6150420078	RAR Monoblock Radiating Cable Clamps for 7/8" (26.5 - 28mm) Cable APP9 with 80mm standoff	Each	0.11 (0.05)
6150420079	RAR Monoblock Radiating Cable Clamps for 7/8" (28.5 - 29.5mm) Cable APP9 with 80mm standoff	Each	0.11 (0.05)
6150420114	RAR Monoblock Radiating Cable Clamps for 1-1/4" (38.5 - 40mm) Cable APP9 with 80mm standoff	Each	0.11 (0.05)

RADIATING HANGER SOLUTIONS

RAX Radiating Cable Clamps with COL for Ladders

Application:	Cable Management
Size:	15.5mm - 52mm
Design:	Molded Polymer
Feature:	Ladder Mount
Material:	Self Exhausting Halogen Free PA & Stainless Steel
Includes:	Cable Clamp and Ladder Mount
Ordered Separately:	Ladder



Part #	Description	Kit Qty	Wt. Lbs (Wt. Kg)
6150020012.55	RAX Radiating Cable Clamps for 1/2" (15.5 - 17mm) Cable with 55mm standoff	Each	0.15 (0.07)
6150020012.75	RAX Radiating Cable Clamps for 1/2" (15.5 - 17mm) Cable with 75mm standoff	Each	0.18 (0.08)
6150020012.100	RAX Radiating Cable Clamps for 1/2" (15.5 - 17mm) Cable with 100mm standoff	Each	0.02 (0.09)
6150020078.55	RAX Radiating Cable Clamps for 7/8" (26.5 - 28mm) Cable with 55mm standoff	Each	0.18 (0.08)
6150020079.55	RAX Radiating Cable Clamps for 7/8" (28 - 29.5mm) Cable with 55mm standoff	Each	0.18 (0.08)
6150020078.75	RAX Radiating Cable Clamps for 7/8" (26.5 - 28mm) Cable with 75mm standoff	Each	0.02 (0.09)
6150020079.75	RAX Radiating Cable Clamps for 7/8" (28 - 29.5mm) Cable with 75mm standoff	Each	0.02 (0.09)
6150020078.100	RAX Radiating Cable Clamps for 7/8" (26.5 - 28mm) Cable with 100mm standoff	Each	0.02 (0.09)
6150020079.100	RAX Radiating Cable Clamps for 7/8" (28 - 29.5mm) Cable with 100mm standoff	Each	0.02 (0.09)
6150020114.55	RAX Radiating Cable Clamps for 1-1/4" (38.5 - 40mm) Cable with 55mm standoff	Each	0.02 (0.09)
6150020115.55	RAX Radiating Cable Clamps for 1-1/4" (40.5 - 42mm) Cable with 55mm standoff	Each	0.02 (0.09)
6150020116.55	RAX Radiating Cable Clamps for 1-1/4" (41 - 42.5mm) Cable with 55mm standoff	Each	0.02 (0.09)
6150020114.75	RAX Radiating Cable Clamps for 1-1/4" (38.5 - 40mm) Cable with 75mm standoff	Each	0.02 (0.09)
6150020115.75	RAX Radiating Cable Clamps for 1-1/4" (40.5 - 42mm) Cable with 75mm standoff	Each	0.02 (0.09)
6150020116.75	RAX Radiating Cable Clamps for 1-1/4" (41 - 42.5mm) Cable with 75mm standoff	Each	0.02 (0.09)
6150020114.100	RAX Radiating Cable Clamps for 1-1/4" (38.5 - 40mm) Cable with 100mm standoff	Each	0.22 (0.1)
6150020115.100	RAX Radiating Cable Clamps for 1-1/4" (40.5 - 42mm) Cable with 100mm standoff	Each	0.22 (0.1)
6150020116.100	RAX Radiating Cable Clamps for 1-1/4" (41 - 42.5mm) Cable with 100mm standoff	Each	0.22 (0.1)
6150020158.55	RAX Radiating Cable Clamps for 1-5/8" (48.5 - 50.5mm) Cable with 55mm standoff	Each	0.02 (0.09)
6150020159.55	RAX Radiating Cable Clamps for 1-5/8" (50.5 - 52mm) Cable with 55mm standoff	Each	0.02 (0.09)
6150020158.75	RAX Radiating Cable Clamps for 1-5/8" (48.5 - 50.5mm) Cable with 75mm standoff	Each	0.22 (0.1)
6150020159.75	RAX Radiating Cable Clamps for 1-5/8" (50.5 - 52mm) Cable with 75mm standoff	Each	0.22 (0.1)
6150020158.100	RAX Radiating Cable Clamps for 1-5/8" (48.5 - 50.5mm) Cable with 100mm standoff	Each	0.22 (0.1)
6150020159.100	RAX Radiating Cable Clamps for 1-5/8" (50.5 - 52mm) Cable with 100mm standoff	Each	0.22 (0.1)

RADIATING HANGER SOLUTIONS

SCC Radiating Cable Clamps with COL for Ladders

Application:	Cable Management
Size:	15.5mm - 52mm
Design:	Formed Steel
Feature:	Ladder Mount
Material:	Stainless Steel
Includes:	Cable Clamp and Ladder Mount
Ordered Separately:	Ladder



Part #	Description	Kit Qty	Wt. Lbs (Wt. Kg)
6120100020.55	SCC Safety Collar Radiating Cable Clamps for 1/2" (13 - 20mm) Cable with 55mm standoff	Each	0.22 (0.1)
6120100020.75	SCC Safety Collar Radiating Cable Clamps for 1/2" (13 - 20mm) Cable with 75mm standoff	Each	0.22 (0.1)
6120100020.100	SCC Safety Collar Radiating Cable Clamps for 1/2" (13 - 20mm) Cable with 100mm standoff	Each	0.22 (0.1)
6120100030.55	SCC Safety Collar Radiating Cable Clamps for 7/8" (22 - 30mm) Cable with 55mm standoff	Each	0.22 (0.1)
6120100030.75	SCC Safety Collar Radiating Cable Clamps for 7/8" (22 - 30mm) Cable with 75mm standoff	Each	0.22 (0.1)
6120100030.100	SCC Safety Collar Radiating Cable Clamps for 7/8" (22 - 30mm) Cable with 100mm standoff	Each	0.22 (0.1)
6120100040.55	SCC Safety Collar Radiating Cable Clamps for 1-1/4" (30 - 40mm) Cable with 55mm standoff	Each	0.22 (0.1)
6120100040.75	SCC Safety Collar Radiating Cable Clamps for 1-1/4" (30 - 40mm) Cable with 75mm standoff	Each	0.22 (0.1)
6120100040.100	SCC Safety Collar Radiating Cable Clamps for 1-1/4" (30 - 40mm) Cable with 100mm standoff	Each	0.22 (0.1)
6120100050.55	SCC Safety Collar Radiating Cable Clamps for 1-5/8" (40 - 52mm) Cable with 55mm standoff	Each	0.22 (0.1)
6120100050.75	SCC Safety Collar Radiating Cable Clamps for 1-5/8" (40 - 52mm) Cable with 75mm standoff	Each	0.22 (0.1)
6120100050.100	SCC Safety Collar Radiating Cable Clamps for 1-5/8" (40 - 52mm) Cable with 100mm standoff	Each	0.22 (0.1)

RADIATING HANGER SOLUTIONS

RAW Monoblock Radiating Cable Clamps with PIM Coated Security Device

Application:	Cable Management
Size:	48.5mm - 50.5mm
Design:	Molded Polymer & Formed Steel
Feature:	PIM Coated Security Device
Material:	Self Exhausting Halogen Free PA & Stainless Steel
Includes:	Cable Clamp and Security Device
Ordered Separately:	MF & MFI Steel Anchors



Part #	Description	Kit Qty	Wt. Lbs (Wt. Kg)
6150210158.08LP01	RAW Monoblock Radiating Cable Clamps for 1-5/8" (48.5 - 50.5mm) Cable with PIM Coated Security Device	Each	0.15 (0.07)

GROUNDING SOLUTIONS

Universal Ground Kits

Application: Grounding
Size: Fits Cable and Elliptical Waveguide
Design: Coil-Up Installation
Feature: One-Size-Fits-All Design
Mounts to: Cable Outer Conductor
Material: Copper or Tinned Copper
Includes: Ground Strap, Lug, Heat Shrink, Attachment Hardware, Butyl & Tape



Part #	Description	Kit Qty	Wt. Lbs (Wt. Kg)
GKU2H5U	Universal Ground Kit Copper, Includes 5' Lead with Unattached 1/4" and 3/8" 2-Hole Lug	Each	2.00 (0.90)
GKU2H5UT	Universal Ground Kit, Tinned, Includes 5' Lead with Unattached 1/4" and 3/8" 2-Hole Lug	Each	2.00 (0.90)
GKUS	Universal Ground Kit Small for 1/4" and 3/8" (6.22 - 9.65mm) Cable, Tinned, Includes 5' Lead with Un-Attached 3/8" 2-Hole	Each	1.50 (0.70)

Quick Install Tinned Ground Kits

Application: Grounding
Size: 1/2" to 1-5/8" Cable
Design: One-Piece Style
Feature: Easy-to-Install Quick Install Design
Mounts to: Cable Outer Conductor
Material: Copper or Tinned Copper
Includes: Ground Strap, Lug, Heat Shrink, Grease, Attachment Hardware, Butyl & Tape

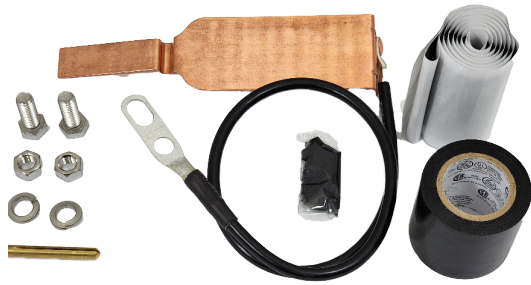


Part #	Description	Kit Qty	Wt. Lbs (Wt. Kg)
Tinned, 48" Lead with Un-Attached 3/8" 2-Hole Lug			
GKQ12T	Quick Install Ground Kit, Tinned for 1/2" Cable. Includes 4' Lead with Unattached 3/8" 2-Hole Lug	Each	1.50 (0.70)
GKQ78T	Quick Install Ground Kit, Tinned for 7/8" Cable. Includes 4' Lead with Unattached 3/8" 2-Hole Lug	Each	1.60 (0.70)
GKQ114T	Quick Install Ground Kit, Tinned, for 1-1/4" Cable. Includes 4' Lead with Unattached 3/8" 2-Hole Lug	Each	1.50 (0.70)
GKQ158T	Quick Install Ground Kit, Tinned for 1-5/8" Cable. Includes 4' Lead with Unattached 3/8" 2-Hole Lug	Each	1.70 (0.80)
Tinned, 24" Lead with Un-Attached 3/8" 2-Hole Lug			
GKQ12T2	Quick Install Ground Kit, Tinned for 1/2" Cable with 2' Lead & Attached 3/8" 2-Hole Lug	Each	1.68 (0.76)
GKQ78T2	Quick Install Ground Kit, Tinned for 7/8" Cable with 2' Lead & Attached 3/8" 2-Hole Lug	Each	1.94 (0.88)
GKQ114T2	Quick Install Ground Kit, Tinned for 1-1/4" Cable with 2' Lead & Attached 3/8" 2-Hole Lug	Each	1.65 (0.75)
GKQ158T2	Quick Install Ground Kit, Tinned for 1-5/8" Cable with 2' Lead & Attached 3/8" 2-Hole Lug	Each	1.86 (0.84)

GROUNDING SOLUTIONS

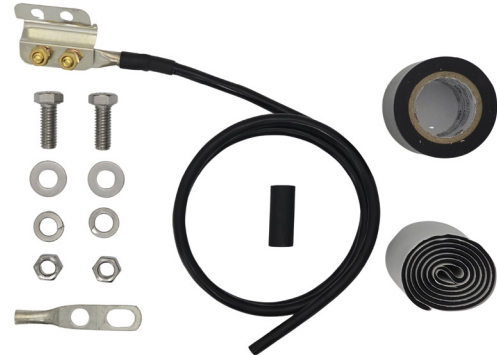
Standard Copper Ground Kits

Application: Grounding
Size: Versions for Cable and Elliptical Waveguide
Design: Coil-Up Installation with 5' or 2' Lead
Mounts to: Cable Outer Conductor
Material: Copper



Standard Tinned Ground Kits for Braided Cable

Application: Grounding
Size: 200, 400 & 600 Series Braided Cable
Design: Bolt-on Style with 3' Lead and Crimp-on Lug
Mounts to: Cable Outer Conductor
Material: Tinned Copper
Includes: Ground Kit, Lug, Heat Shrink, Butyl & Tape



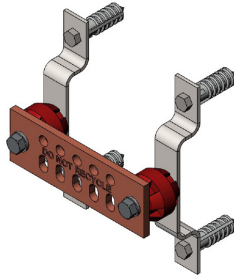
Part #	Description	Kit Qty	Wt. Lbs (Wt. Kg)
Copper, 60" Lead with 3/8" 2-Hole Unattached Lug			
Includes: Ground Strap, Attachment Hardware, Grease, Lug, Heat Shrink, Butyl & Tape			
GKNS	Standard Ground Kit for 1/2" (15.5 - 16.5mm), EW180, WE191 & E185 Cable	Each	1.50 (0.70)
GKNM	Standard Ground Kit for 5/8", 7/8" (21.3 - 28.7mm), EW85, EW90, WE108, EW127, WE130, E130, EW132 and WE150 cable	Each	1.70 (0.80)
GKNL	Standard Ground Kit for 1-5/8" (49 - 50.8mm), EW52, WE61, EW63 and WE65 Cable	Each	1.80 (0.80)
Copper, 24" Lead with 3/8" 2-Hole Attached Lug			
Includes: Ground Strap, Attachment Hardware, Grease, Butyl & Tape			
GKN14C2	Standard Ground Kit for 1/4" (6.22 - 9.65mm) Cable	Each	1.50 (0.70)
GKN12C2	Standard Ground Kit for 1/2" (15.5 - 16.5mm) Cable	Each	1.50 (0.70)
GKN78C2	Standard Ground Kit for 7/8" (21.3 - 28.7mm) Cable	Each	1.80 (0.80)
GKN114C2	Standard Ground Kit for 1-1/4" (38.35 - 40.13mm), EW64, EW77, WE78 and E78 Cable	Each	1.80 (0.80)
GKN158C2	Standard Ground Kit for 1-5/8" (44.9 - 50.8mm) Cable	Each	1.80 (0.80)

Part #	Description	Kit Qty	Wt. Lbs (Wt. Kg)
GKS200BRT	Standard Tinned Ground Kit for 200 Series Braided Cable	Each	1.4 (0.64)
GKS400BRT	Standard Tinned Ground Kit for 400 Series Braided Cable	Each	1.5 (0.68)
GKS600BRT	Standard Tinned Ground Kit for 600 Series Braided Cable	Each	1.6 (0.73)

GROUNDING SOLUTIONS

Ground Buss Bar, 2" x 6"

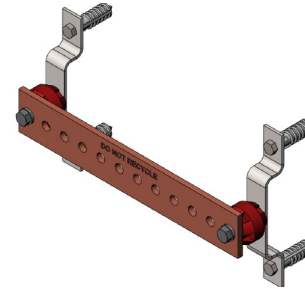
Application: Grounding
 Design: Universal Hole Pattern
 Mounts to: Wall or Tower
 Material: Copper or Tinned Copper



Part #	Description	Kit Qty	Wt. Lbs (Wt. Kg)
GB0206NH	Ground Buss Bar, 1/4" x 2" x 6". Hardware Not Included - Order Separately	Each	1.50 (0.70)
GB0206TNH	Tinned Ground Buss Bar, 1/4" x 2" x 6". Hardware Not Included - Order Separately	Each	1.50 (0.70)

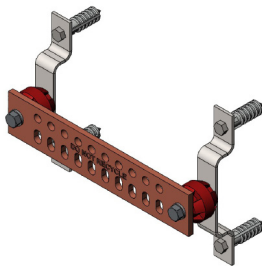
Ground Buss Bar, 2" x 12"

Application: Grounding
 Design: Universal Hole Pattern
 Mounts to: Wall or Tower
 Material: Copper or Tinned Copper



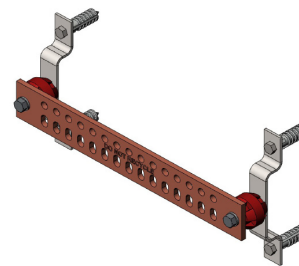
Part #	Description	Kit Qty	Wt. Lbs (Wt. Kg)
GB0212NH	Ground Buss Bar, 1/4" x 2" x 12". Hardware Not Included - Order Separately	Each	1.80 (0.80)
GB0212TNH	Tinned Ground Buss Bar, 1/4" x 2" x 12". Hardware Not Included - Order Separately	Each	1.80 (0.80)

Ground Buss Bar, 2" x 10"



Part #	Description	Kit Qty	Wt. Lbs (Wt. Kg)
GB0210NH	Ground Buss Bar, 1/4" x 2" x 10". Hardware Not Included - Order Separately	Each	1.50 (0.70)
GB0210TNH	Tinned Ground Buss Bar, 1/4" x 2" x 10". Hardware Not Included - Order Separately	Each	1.50 (0.70)

Ground Buss Bar, 2" x 14"

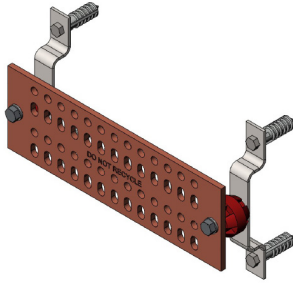


Part #	Description	Kit Qty	Wt. Lbs (Wt. Kg)
GB0214NH	Ground Buss Bar, 1/4" x 2" x 14". Hardware Not Included. - Order Separately	Each	2.10 (1.00)
GB0214TNH	Tinned Ground Buss Bar, 1/4" x 2" x 14". Hardware Not Included - Order Separately	Each	2.10 (1.00)

GROUNDING SOLUTIONS

Ground Buss Bar, 4" x 12"

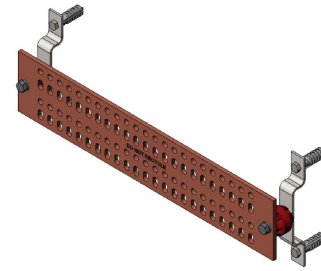
Application: Grounding
 Design: Universal Hole Pattern
 Mounts to: Wall or Tower
 Material: Copper or Tinned Copper



Part #	Description	Kit Qty	Wt. Lbs (Wt. Kg)
GB0412NH	Ground Buss Bar, 1/4" x 4" x 12". Hardware Not Included - Order Separately	Each	3.30 (1.50)
GB0412TNH	Tinned Ground Buss Bar, 1/4" x 4" x 12". Hardware Not Included - Order Separately	Each	3.30 (1.50)

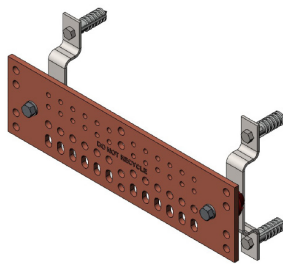
Ground Buss Bar, 4" x 20"

Application: Grounding
 Design: Universal Hole Pattern
 Mounts to: Wall or Tower
 Material: Copper or Tinned Copper



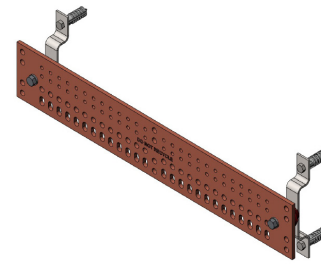
Part #	Description	Kit Qty	Wt. Lbs (Wt. Kg)
GB0420NH	Ground Buss Bar, 1/4" x 4" x 20". Hardware Not Included - Order Separately	Each	3.00 (1.40)
GB0420TNH	Tinned Ground Buss Bar, 1/4" x 4" x 20". Hardware Not Included - Order Separately	Each	3.00 (1.40)

Ground Buss Bar, 4" x 14"



Part #	Description	Kit Qty	Wt. Lbs (Wt. Kg)
GB0414NH	Ground Buss Bar, 1/4" x 4" x 14". Hardware Not Included - Order Separately	Each	3.90 (1.80)
GB0414TNH	Tinned Ground Buss Bar, 1/4" x 4" x 14". Hardware Not Included - Order Separately	Each	3.90 (1.80)

Ground Buss Bar, 4" x 24"

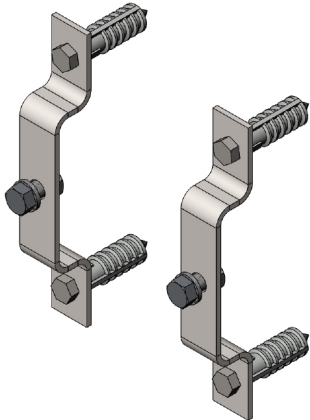


Part #	Description	Kit Qty	Wt. Lbs (Wt. Kg)
GB0424NH	Ground Buss Bar, 1/4" x 4" x 24". Hardware Not Included - Order Separately	Each	6.50 (3.00)
GB0424TNH	Tinned Ground Buss Bar, 1/4" x 4" x 24". Hardware Not Included - Order Separately	Each	6.50 (3.00)

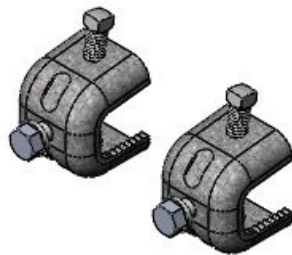
GROUNDING SOLUTIONS

Universal Buss Bar Hardware Kit

Application: Grounding
Feature: Universal Kit, Multiple Configurations
Mounts to: Wall or Tower
Includes: Wall Brackets, Angle Adapters, Insulators and Hardware



Non-Insulated Shelter Method



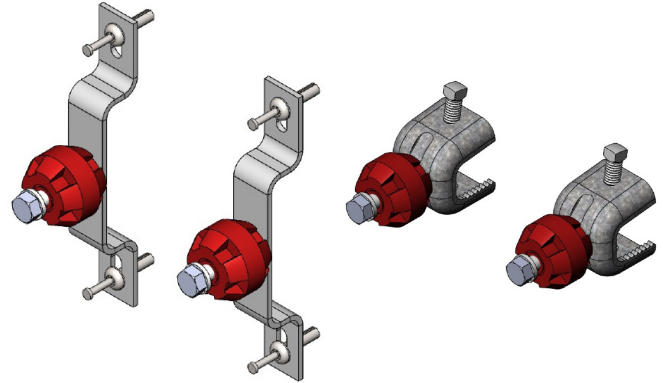
Non-Insulated Tower Method

Part #	Description	Kit Qty	Wt. Lbs (Wt. Kg)
GBHKU	Universal Buss Bar Hardware Kit	Each	3.90 (1.80)

*Universal Buss Bar Hardware Kits Include Insulators and All Components Necessary to Mount a Buss Bar to a Wall or Tower

Universal Buss Bar Drive Pin Anchor Hardware Kit

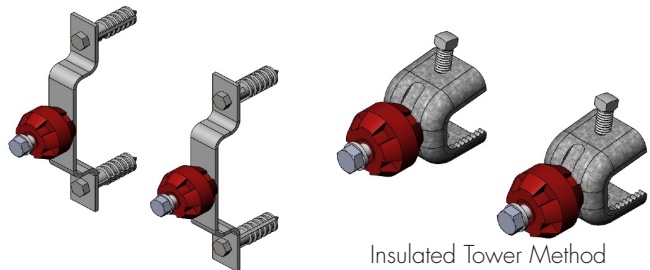
Application: Grounding
Feature: Drive Pin Anchor
Mounts to: Wall or Tower
Material: Hot Dip Galvanized Steel
Includes: All Brackets, Insulator, Drive Pins and Hardware



Part #	Description	Kit Qty	Wt. Lbs (Wt. Kg)
GBHKDPU	Universal Buss Bar Drive Pin Anchor Hardware Kit	Each	2.18 (1.00)

Buss Bar Hardware Kit for Insulated Tower

Application: Grounding
Feature: Insulated Tower
Mounts to: Tower
Material: Galvanized Steel
Includes: Angle Adapters, Insulators and Hardware



Insulated Shelter Method

Insulated Tower Method

Part #	Description	Kit Qty	Wt. Lbs (Wt. Kg)
GBIT	Buss Bar Hardware Kit, Insulated Tower	Each	1.34 (0.60)
GBIS	Buss Bar Hardware Kit, Insulated Shelter	Each	1.4 (0.60)

WEATHERPROOFING

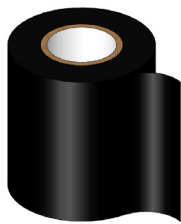
Universal Weather Proofing Kit

Application:	Weather Proofing
Design:	Multi-layer Wrap
Feature:	RoHS Compliant
Mounts to:	Cables & Connectors
Material:	Butyl & Vinyl
Includes:	6 x Rolls of Mastic, 1 x Roll of 2" Electrical Tape & 2 x Rolls of 3/4" Electrical Tape

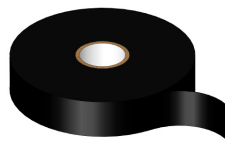


Part #	Description	Kit Qty	Wt. Lbs (Wt. Kg)
WSKU	Universal Weather Proofing Kit	Each	3.40 (1.50)

Electrical Tape



MT4651



MT464



Part #	Description	Kit Qty	Wt. Lbs (Wt. Kg)
MT464	Electrical Tape, 3/4" x 66' x 3/4" ID Core	Each	0.23 (0.10)
MT465	Electrical Tape, 2" x 66' x 3/4" ID Core	Each	0.60 (0.27)
MT4651	Electrical Tape, 2" x 20' x 1-1/4" ID Core	Each	0.19 (0.08)

WPE Weatherproofing Enclosures

Application:	Weatherproofing
Size:	1/2" Through 1 5/8" Cable
Design:	Molded Polymer & Silicone
Feature:	Quick Seal Installation
Material:	PC/PP Alloy & Silicone Gel
Includes:	Enclosure



Part #	Description	Kit Qty	Wt. Lbs (Wt. Kg)
6122040011	WPE Weatherproofing Enclosure for 1/2" to 4.3/10 Connector	Each	0.11 (0.05)
6122040012S	WPE Weatherproofing Enclosure for 1/2" to 7/16 Connector, Small	Each	0.18 (0.08)
6122040012	WPE Weatherproofing Enclosure for 1/2" to 7/16, Connector	Each	0.26 (0.12)
6122040078	WPE Weatherproofing Enclosure for 1/2" to 7/8" Cable	Each	0.57 (0.26)
6122040114	WPE Weatherproofing Enclosure for 1/2" to 1-1/4" Cable	Each	0.71 (0.32)
6122040158	WPE Weatherproofing Enclosure for 1/2" to 1-5/8" Cable	Each	0.88 (0.40)

WEATHERPROOFING

EPDM Cold Shrink Weather Proofing Kits

Application:	Weather Proofing
Design:	Collapsible Sealing Tube
Feature:	Universal Spacer Design
Mounts to:	Cable Connections
Material:	EPDM Tube with Closed Cell Foam Tape
Includes:	Tube & Foam Tape



Part #	Description	ID On Core	ID Off Core	Length On Core	Length Off Core	Kit Qty	Wt. Lbs (Wt. Kg)
CS2060	Cold Shrink for 200 Series Braided Cable	27mm	7mm	114mm	127mm	Each	0.12 (0.05)
CS4060	Cold Shrink for 400 Series Braided Cable	36mm	12mm	88mm	102mm	Each	0.17 (0.08)
CSU1212	Universal Cold Shrink Weather Proofing Kit for 1/2" - 1/2" Cable	53mm	16mm	199mm	203mm	Each	0.43 (0.19)
CSUA1278	Universal Cold Shrink Weather Proofing Kit for 1/2" - 7/8" Cable, Antenna Interface	52mm	24mm	152mm	177mm	Each	0.45 (0.20)
CSU1278	Universal Cold Shrink Weather Proofing Kit for 1/2" - 7/8" Cable	49mm	22mm	228mm	260mm	Each	0.48 (0.22)
CSU12158	Universal Cold Shrink Weather Proofing Kit for 1/2" - 1-1/4" or 1-5/8" Cable	70mm	28mm	285mm	336mm	Each	0.79 (0.4)

WEATHERPROOFING

BUT Butyl Putty



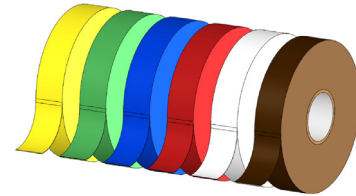
Part #	Description	Kit Qty	Wt. Lbs (Wt. Kg)
6134020056	Butyl Putty, Ø 6mm x 8m Roll	Each	0.70 (0.03)

Self-Amalgamating Tape



Part #	Description	Kit Qty	Wt. Lbs (Wt. Kg)
SAT1515	Self-Amalgamating Tape, 1.5" x 15', 30mil	Each	0.40 (0.18)
WSSACK	Self-Amalgamating Tape Kit, 1.5" x 15' 30 mil	2 Rolls	0.80 (0.36)

Colored Marking Tape



Part #	Description	Kit Qty	Wt. Lbs (Kg)
CMTB	Colored Marking Tape, Blue, 3/4" x 66'	Each	0.20 (0.09)
CMTBR	Colored Marking Tape, Brown, 3/4" x 66'	Each	0.20 (0.09)
CMTG	Colored Marking Tape, Green, 3/4" x 66'	Each	0.20 (0.09)
CMTGR	Colored Marking Tape, Gray, 3/4" x 66'	Each	0.20 (0.09)
CMTO	Colored Marking Tape, Orange, 3/4" x 66'	Each	0.20 (0.09)
CMTR	Colored Marking Tape, Red, 3/4" x 66'	Each	0.20 (0.09)
CMTV	Colored Marking Tape, Violet, 3/4" x 66'	Each	0.20 (0.09)
CMTW	Colored Marking Tape, White, 3/4" x 66'	Each	0.20 (0.09)
CMTY	Colored Marking Tape, Yellow, 3/4" x 66'	Each	0.20 (0.09)
CMTB10	Colored Marking Tape, Blue, 3/4" x 66'	Kit of 10	2.10 (0.95)
CMTBR10	Colored Marking Tape, Brown, 3/4" x 66'	Kit of 10	2.10 (0.95)
CMTG10	Colored Marking Tape, Green, 3/4" x 66'	Kit of 10	2.10 (0.95)
CMTGR10	Colored Marking Tape, Gray, 3/4" x 66'	Kit of 10	2.10 (0.95)
CMTO10	Colored Marking Tape, Orange, 3/4" x 66'	Kit of 10	2.10 (0.95)
CMTR10	Colored Marking Tape, Red, 3/4" x 66'	Kit of 10	2.10 (0.95)
CMTV10	Colored Marking Tape, Violet, 3/4" x 66'	Kit of 10	2.10 (0.95)
CMTW10	Colored Marking Tape, White, 3/4" x 66'	Kit of 10	2.10 (0.95)
CMTY10	Colored Marking Tape, Yellow, 3/4" x 66'	Kit of 10	2.10 (0.95)

Silicone Self-Amalgamating Tape

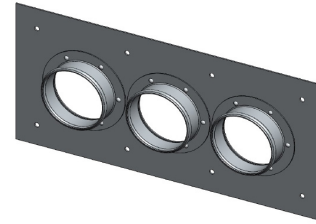


Part #	Description	Kit Qty	Wt. Lbs (Wt. Kg)
SBSTB1515	Tape, Silicone, 1.5" x 15', 30 mil Black	Each	0.25 (0.11)
SBSTB215	Tape, Silicone, 2" x 15', 30 mil Black	Each	0.30 (0.14)

WEATHERPROOFING

Feed-Thru Entry Panels

Application: Entry Port Solutions
Design: Entry Plate with Round Ports
Mounts to: Walls & Enclosures
Material: Powder Coated Aluminum (Gray)
Includes: Port, Caps, Mounting Hardware
Order Separately: Boot Assemblies



4" Feed-Thru Entry Panel Size Chart

Part #	Description	Kit Qty	Wt. Lbs (Wt. Kg)	Wall Opening Size, in. (Wall Opening Size, mm)		Panel Overall Size, in. (Overall Size, mm)	
				Width	Height	Width	Height
EP220	Entry Panel, 1-Port, 1 x 1	Each	0.82 (0.37)	4" (101.6mm)	4" (101.6mm)	7" (177.8mm)	7" (177.8mm)
EP574	Entry Panel, 1-Port, 1 x 1 Compact	Each	0.63 (0.29)	4" (101.6mm)	4" (101.6mm)	5.5" (139.7mm)	5.5" (139.7mm)
EP1448	Entry Panel, 2-Port, 1 x 2	Each	2.03 (0.92)	10" (254mm)	4" (101.6mm)	9.5" (241.3mm)	15.5" (393.7mm)
EP1635	Entry Panel, 3-Port, 1 x 3	Each	2.67 (1.21)	15" (381.0mm)	4" (101.6mm)	20" (508mm)	9.5" (241.3mm)
EP575	Entry Panel, 4-Port, 1 x 4	Each	3.26 (1.48)	20.5" (520.7mm)	4" (101.6mm)	25.5" (647.7mm)	9.5" (241.3mm)
EP1199	Entry Panel, 4-Port, 2 x 2	Each	3.97 (1.80)	9.5" (241.3mm)	11" (279.4mm)	17.5" (444.5mm)	17.5" (444.5mm)
EP1449	Entry Panel, 6-Port, 2 x 3	Each	5.20 (2.40)	15" (381.0mm)	9.5" (241.3mm)	17.5" (444.5mm)	23" (584.2mm)
EP576	Entry Panel, 8-Port, 2 x 4	Each	6.10 (2.80)	20.5" (520.7mm)	9.5" (241.3mm)	25.5" (647.7mm)	17.5" (444.5mm)
EP1338	Entry Panel, 8-Port, 2 x 4, Large	Each	7.76 (3.52)	20.5" (520.7mm)	9.5" (241.3mm)	28.5" (723.9mm)	17.5" (444.5mm)
EP1118	Entry Panel, 12-Port, 3 x 4	Each	8.49 (3.85)	20.5" (520.7mm)	15" (381.0mm)	25.5" (647.7mm)	25.5" (647.7mm)
EP1336	Entry Panel, 12-Port, 2 x 6	Each	8.93 (4.05)	31.5" (800.1mm)	9.5" (241.3mm)	39.5" (1003.3mm)	31" (787.4mm)
EP1447	Entry Panel, 16-Port, 4 x 4	Each	9.10 (4.20)	20.5" (520.7mm)	20.5" (520.7mm)	25.5" (647.7mm)	25.5" (647.7mm)
EP1861	Entry Panel, 20-Port, 4 x 5	Each	12.4 (5.6)	26" (660.4mm)	20.5" (520.7mm)	31" (787.4mm)	28.5" (723.9mm)
EP1340	Entry Panel, 24-Port, 4 x 6	Each	16.34 (7.41)	31.5" (800.1)	20.5" (520.7mm)	39.5" (1003.3)	31" (787.4mm)

5" Feed-Thru Entry Panel Size Chart							
Part #	Description	Kit Qty	Wt. Lbs (Wt. Kg)	Width	Height	Width	Height
EP549	Entry Panel, 1-Port, 1 x 1	Each	1.19 (0.54)	5" (127mm)	5" (127mm)	9.5" (241.3mm)	9.5" (241.3mm)

Feed-Thru Boot Assemblies

Application: Entry Port Solutions
Size: 4" & 5"
Design: Compression Boot for Aluminum Entry Panels
Feature: One-Piece Design Simplifies Installation
Mounts to: Entry Panels
Material: EPDM Rubber
Includes: Boot, Two (2) Hose Clamps
Order Separately: Cushion Inserts & Entry Panel



Part #	Description	Kit Qty	Wt. Lbs (Wt. Kg)
BA400	4" Boot Assembly, Cushion Not Included	Each	1.30 (0.60)
BA500	5" Boot Assembly, Cushion Not Included	Each	1.30 (0.60)

*Boot Assemblies Including Cushions are Available Upon Request

Entry Port Caps

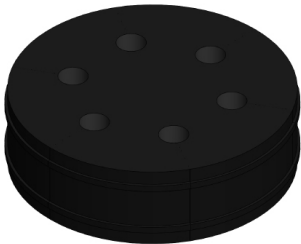


Part #	Description	Kit Qty	Wt. Lbs (Wt. Kg)
EPCAP4	Port Cover for 4" Feed-thru Entry Panel	Each	0.13 (0.06)
EPCAP5	Port Cover for 5" Feed-thru Entry Panel	Each	0.14 (0.06)

WEATHERPROOFING

Standard Cable Cushions

Application: Entry Port Solutions
Size: Cable & Elliptical Waveguide
Design: Compression Fit Round Cushions
Feature: Dependable Seal
Material: EPDM Rubber
Includes: Cushion
Order Separately: Boot Assembly, Entry Panel



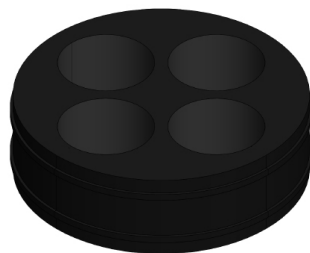
SCRG86



SC1581



SC781



SC784

Part #	Description	Kit Qty	Wt. Lbs (Wt. Kg)
SCB	Standard Port Cushion, Blank (No Holes)	Each	0.40 (0.20)
SC381	Standard Port Cushion with 1-Hole for 3/8" Cable	Each	0.40 (0.20)
SC383	Standard Port Cushion with 3-Holes for 3/8" Cable	Each	0.40 (0.20)
SC389	Standard Port Cushion with 9-Holes for 3/8" Cable	Each	0.40 (0.20)
SC121	Standard Port Cushion with 1-Hole for 1/2" Cable	Each	0.40 (0.20)
SC122	Standard Port Cushion with 2-Holes for 1/2" Cable	Each	0.40 (0.20)
SC123	Standard Port Cushion with 3-Holes for 1/2" Cable	Each	0.40 (0.20)
SC124	Standard Port Cushion with 4-Holes for 1/2" Cable	Each	0.40 (0.20)
SC125	Standard Port Cushion with 5-Holes for 1/2" Cable	Each	0.40 (0.20)
SC12F1	Standard Port Cushion with 1-Hole for 1/2" Flex Cable	Each	0.40 (0.20)
SC12F2	Standard Port Cushion with 2-Holes for 1/2" Flex Cable	Each	0.40 (0.20)
SC12F3	Standard Port Cushion with 3-Holes for 1/2" Flex Cable	Each	0.40 (0.20)
SC12F4	Standard Port Cushion with 4-Holes for 1/2" Flex Cable	Each	0.40 (0.20)
SC581	Standard Port Cushion with 1-Hole for 5/8" Cable	Each	0.40 (0.20)
SC582	Standard Port Cushion with 2-Holes for 5/8" Cable	Each	0.40 (0.20)
SC583	Standard Port Cushion with 3-Holes for 5/8" Cable	Each	0.40 (0.20)
SC584	Standard Port Cushion with 4-Holes for 5/8" Cable	Each	0.40 (0.20)
SC781	Standard Port Cushion with 1-Hole for 7/8" Cable	Each	0.40 (0.20)
SC782	Standard Port Cushion with 2-Holes for 7/8" Cable	Each	0.40 (0.20)
SC783	Standard Port Cushion with 3-Holes for 7/8" Cable	Each	0.30 (0.10)
SC784	Standard Port Cushion with 4-Holes for 7/8" Cable	Each	0.20 (0.10)
SC1141	Standard Port Cushion with 1-Hole for 1-1/4" Cable	Each	0.30 (0.10)
SC1581	Standard Port Cushion with 1-Hole for 1-5/8" Cable	Each	0.30 (0.10)
SC2141	Standard Port Cushion with 1-Hole for 2-1/4" Cable	Each	0.30 (0.10)
SCRG2136	Standard Port Cushion with 6-Holes for RG11, RG213, RG214, 9913, and LMR-400	Each	0.30 (0.10)
SCRG86	Standard Port Cushion with 6-Holes for RG8 Cable	Each	0.30 (0.10)

*Additional Cushion Configurations are Available Upon Request

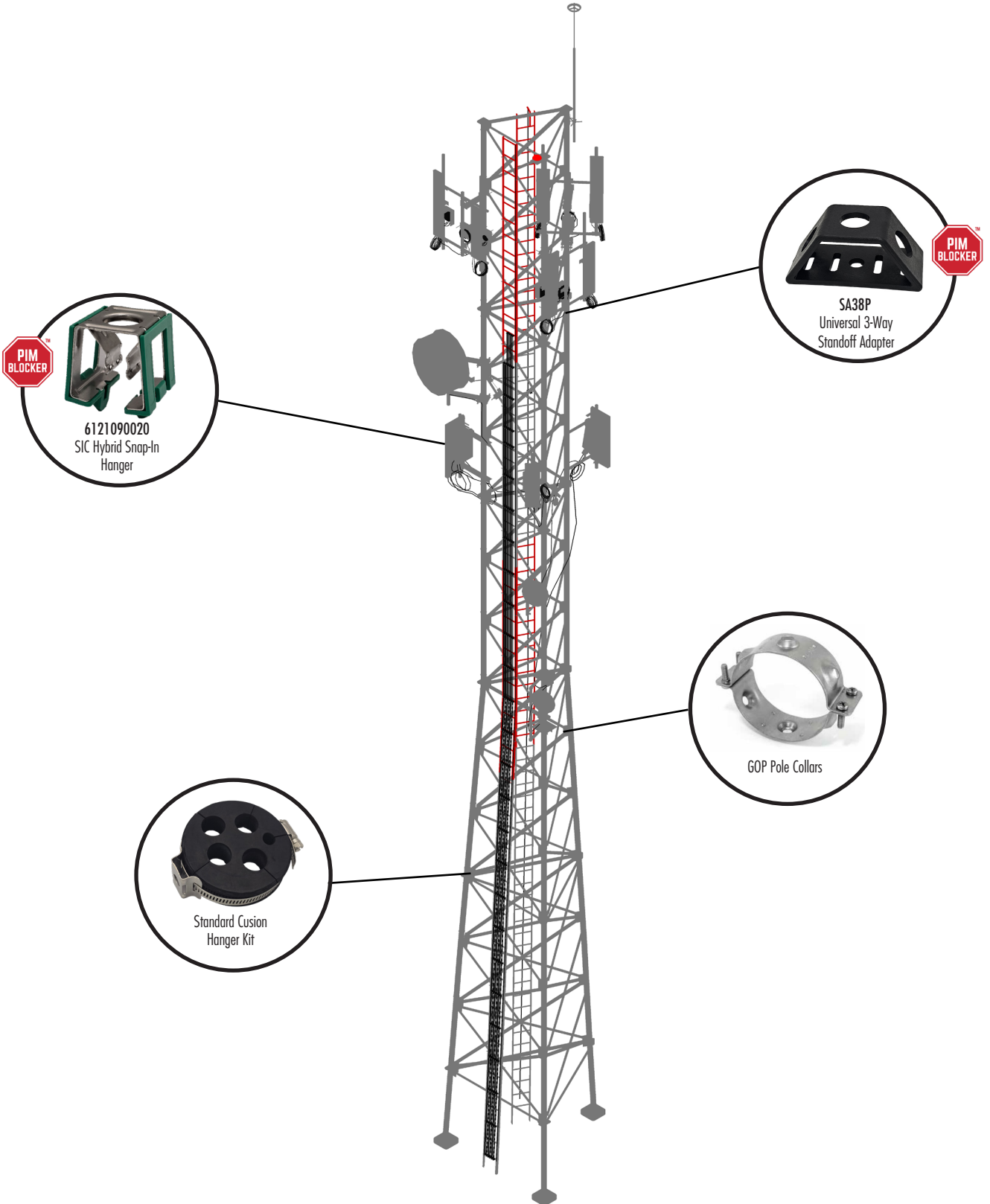
WEATHERPROOFING

Standard Elliptical Waveguide Cushions



Part #	Description	Kit Qty	Wt. Lbs (Wt. Kg)
SC371	Standard Port Cushion with 1-Hole for WE37	Each	0.30 (0.10)
SC461	Standard Port Cushion with 1-Hole for WE46	Each	0.30 (0.10)
SC521	Standard Port Cushion with 1-Hole for EW52 and WE61	Each	0.30 (0.10)
SC631	Standard Port Cushion with 1-Hole for EW63 and WE65 Elliptical Cable	Each	0.40 (0.20)
SC632	Standard Port Cushion with 2-Holes for EW63 and WE65	Each	0.40 (0.20)
SC771	Standard Port Cushion with 1-Hole for EW77, WE78 and E78	Each	0.40 (0.20)
SC851	Standard Port Cushion with 1-Hole for EW85 and WE108	Each	0.40 (0.20)
SC901	Standard Port Cushion with 1-Hole for EW90	Each	0.40 (0.20)
SC902	Standard Port Cushion with 2-Holes for EW90	Each	0.40 (0.20)
SC1271	Standard Port Cushion with 1-Hole for EW127, WE130 and E130	Each	0.40 (0.20)
SC1501	Standard Port Cushion with 1-Hole for WE150, EW132 and E150	Each	0.40 (0.20)
SC1801	Standard Port Cushion with 1-Hole for EW180, WE191 and E185	Each	0.40 (0.20)
SC2201	Standard Port Cushion with 1-Hole for EW220	Each	0.40 (0.20)

*Additional Cushion Sizes are Available Upon Request



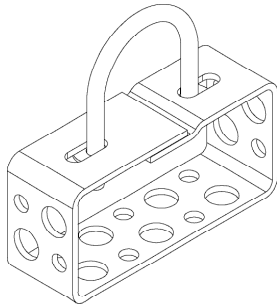


Cable Support

CABLE SUPPORT

PIM Blocker™ 9-Position Bracket

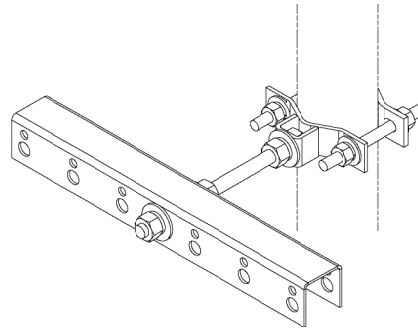
Application: Cable Support
Size: 3" x 6-1/4" x 2"
Design: Formed Steel
Mounts to: 2-3/8" to 3-1/2" OD Round Members
Material: Hot Dip Galvanized Steel
Includes: Bracket, 2-3/8" & 2-7/8" U-Bolts
Order Separately: 3-1/2" OD U-Bolt



Part #	Description	Kit Qty	Wt. Lbs (Wt. Kg)
PBPM09	PIM Blocker™ 9-Position Bracket	Kit of 1	1.6 (0.7)
PBPM09K10	PIM Blocker™ 9-Position Bracket, Kit of 10	Kit of 10	16.5 (7.5)

Heavy-Duty RRU Cable Support Bracket

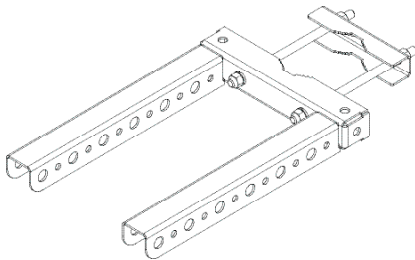
Application: Cable Support
Size: 7/16" and 3/4" Holes
Design: Formed Steel
Feature: Heavy-Duty
Mounts to: 1.5" to 3.5" OD Round Members
Material: Hot Dip Galvanized Steel



Part #	Description	Kit Qty	Wt. Lbs (Wt. Kg)
RRUUT12	Heavy-Duty RRU Cable Support Bracket, 12 Runs	Each	13.0 (6.0)

Cable Support Bracket

Application: Cable Support
Size: 16" Standoff
Design: Formed Steel
Feature: Robust Cable Support
Mounts to: 1.9" to 4.5" OD Round Members
Material: Hot Dip Galvanized Steel

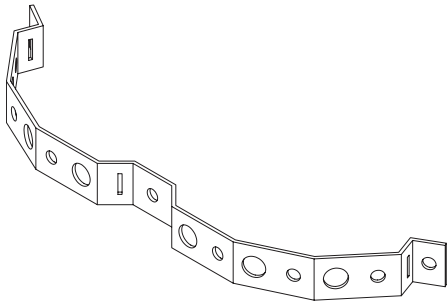


Part #	Description	Kit Qty	Wt. Lbs (Wt. Kg)
ACSD24	Cable Support Bracket, 24 runs, 1.9" to 4.5" OD Pipes	Each	15.6 (7.1)

CABLE SUPPORT

Universal Round Member Support Bracket

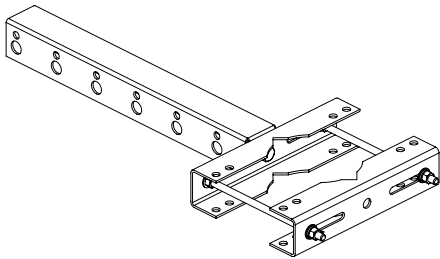
Application: Cable Support
Size: 7/16" and 3/4" Holes
Design: Formed Steel
Feature: Ideal for Pole Co-location
Material: Hot Dip Galvanized Steel
Includes: Brackets
Order Separately: Banding



Part #	Description	Kit Qty	Wt. Lbs (Wt. Kg)
RMUSBG	Universal Round Member Support Bracket	Kit of 10	13.0 (6.0)

Star Support Brackets

Application: Cable Support
Size: 7/16" and 3/4" Holes
Design: Formed Steel
Feature: Universal Attachment
Material: Hot Dip Galvanized Steel
Includes: Brackets & Hardware



Part #	Description	Kit Qty	Wt. Lbs (Wt. Kg)
SSTB2550	Star Support T Bracket 1-1/2" OD to 5-9/16" OD Round Members and 2-1/2" to 5" Angle Members	Each	8.0 (4.0)
SSTB6080	Large Star Support T Bracket 4" OD to 10-3/4" OD Round Members or 4" to 8" Angle Members	Each	10.0 (5.0)

Vertical Waveguide Hanger Bracket

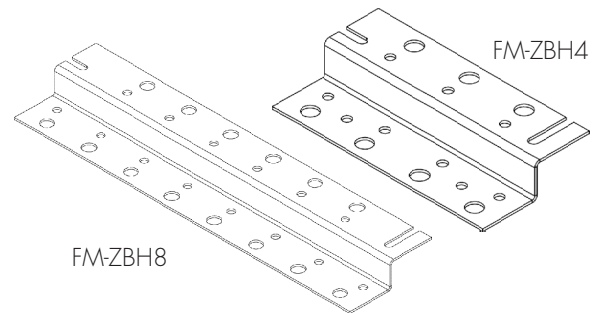
Application: Cable Support
Size: 7/16" & 3/4" Holes
Feature: Routes Cable Under Bridge
Design: Formed Steel
Material: Hot Dip Galvanized Steel
Includes: Bracket & Hardware



Part #	Description	Kit Qty	Wt. Lbs (Wt. Kg)
SSTBV12	Vertical Waveguide Stand-off for 12 Runs of Coax	Kit of 1	15.6 (7.1)

Z-Brackets

Application: Cable Support
Size: 7/16" and 3/4" Holes
Design: Formed Steel
Feature: Robust Cable Support
Material: Hot Dip Galvanized Steel
Includes: Brackets

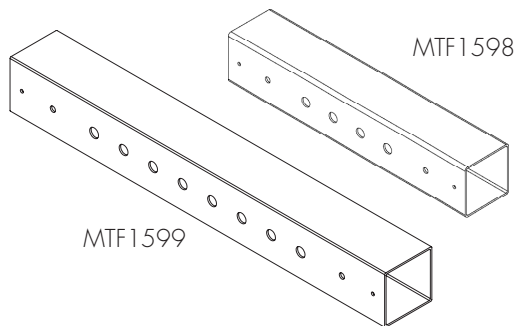


Part #	Description	Kit Qty	Wt. Lbs (Wt. Kg)
ZBH4	Horizontal Z-Bracket, 11" Wide for 4 Runs of Coax	Each	2.4 (1.0)
ZBH8	Horizontal Z-Bracket, 23" Wide for 8 Runs of Coax	Each	2.4 (1.0)

CABLE SUPPORT

PVC Sleeper

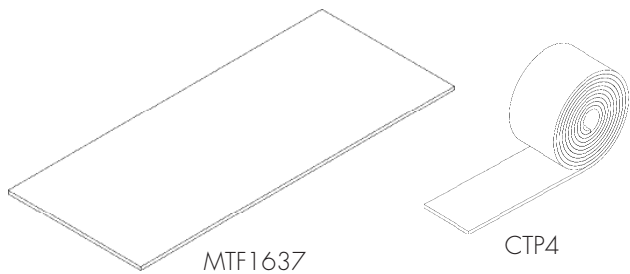
Application:	Roof-Tops
Design:	Bridge Accessories
Feature:	3/4" Snap Holes
Mounts to:	Non-Penetrating
Material:	PVC
Includes:	PVC Sleeper



Part #	Description	Kit Qty	Wt. Lbs (Wt. Kg)
MTF1598	PVC Roof Sleeper for 4 Runs of Cable 4" x 4" x 22"	Each	3.0 (1.0)
MTF1599	PVC Roof Sleeper for 8 Runs of Cable 4" x 4" x 32"	Each	6.0 (3.0)

Rubber Pads

Application:	Roof-Tops
Design:	Bridge Accessories
Mounts to:	Non-Penetrating
Material:	Rubber

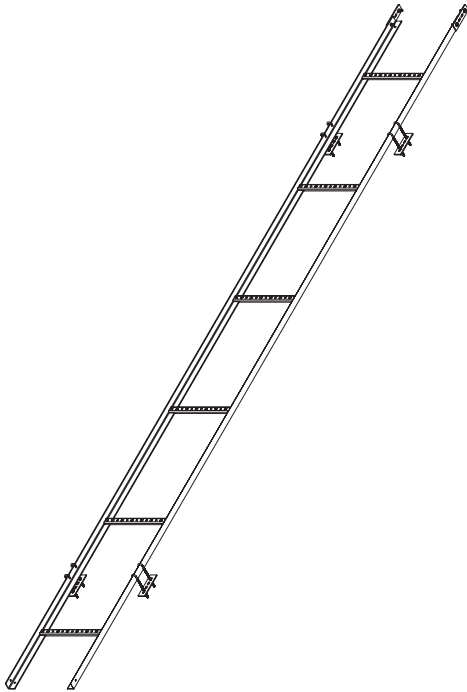


Part #	Description	Kit Qty	Wt. Lbs (Wt. Kg)
CTP4	Rubber Sleeper Pad 1/4" Thick x 4" Width x 10' Roll	Each	6.0 (3.0)
MTF1637	EPDM Rubber Mat 3/8" Thick x 18" Width x 48" Length	Each	16.0 (7.0)

CABLE SUPPORT

Cable Ladder

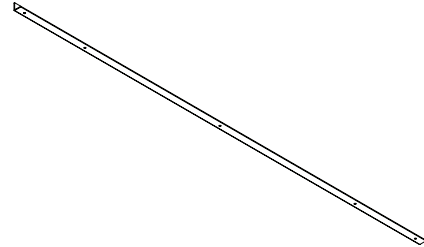
Application: Cable Support
Size: 10' and 20' in Three Widths
Design: Formed Steel
Feature: Complete Kit Universal Attachment
Mounts to: Round and Angle Members
Material: Hot Dip Galvanized Steel
Includes: Universal Kits Include Splice Kits, Ladder Rail, Rungs, Tower Attachment & Hardware



Part #	Description	Kit Qty	Wt. Lbs (Wt. Kg)
CL0410U	4-Hole Rung 10' Cable Ladder (Universal Hardware Included) 14" Wide	Each	42.1 (19.1)
CL0420U	4-Hole Rung 20' Cable Ladder (Universal Hardware Included) 14" Wide	Each	80 (36.3)
CL0610U	6-Hole Rung 10' Cable Ladder (Universal Hardware Included) 20" Wide	Each	43.6 (20.0)
CL0620U	6-Hole Rung 20' Cable Ladder (Universal Hardware Included) 20" Wide	Each	82.7 (38.0)
CL0910U	9-Hole Rung 10' Cable Ladder (Universal Hardware Included) 29" Wide	Each	46.6 (21.0)
CL0920U	9-Hole Rung 20' Cable Ladder (Universal Hardware Included) 29" Wide	Each	87.7 (40.0)
CL1210U	12-Hole Rung 10' Cable Ladder (Universal Hardware Included) 38" Wide	Each	48.5 (21.0)
CL1220U	12-Hole Rung 20' Cable Ladder (Universal Hardware Included) 38" Wide	Each	94.6 (40.0)

Cable Ladder Side Rail

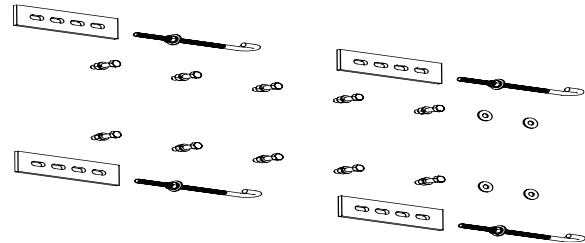
Application: Cable Support
Size: 1-1/2" x 1-1/2" x 1/8"
Material: Hot Dip Galvanized Steel
Includes: Side Rail Only



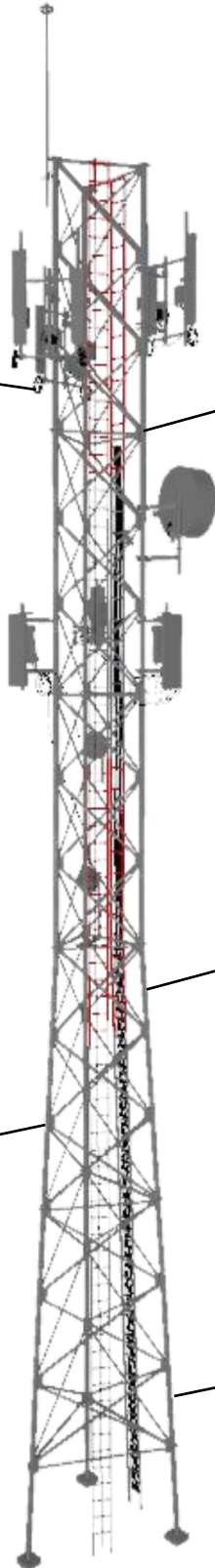
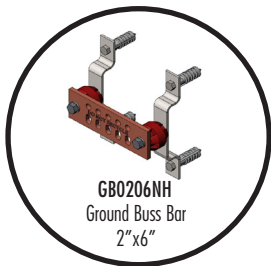
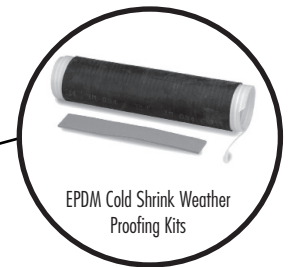
Part #	Description	Kit Qty	Wt. Lbs (Wt. Kg)
CL1001	Cable Ladder, 10' Side Rail	Each	16.37 (7.4)
CL2001	Cable Ladder, 20' Side Rail	Each	32.7 (14.8)

Cable Ladder Hardware Kits

Application: Cable Support
Material: Hot Dip Galvanized Steel
Includes: Universal Kits Include Splice Kits, Rungs Tower Attachment and Hardware
Order Separately: Side Rails



Part #	Description	Kit Qty	Wt. Lbs (Wt. Kg)
CLHKU	Universal Cable Ladder Hardware Kit	Each	6 (2.7)
CL04RK3	4-Hole Cable Ladder Rung	Kit of 3	3.5 (1.6)
CL06RK3	6-Hole Cable Ladder Rung	Kit of 3	5.2 (2.4)
CL09RK3	9-Hole Cable Ladder Rung	Kit of 3	7.4 (3.4)
CL12RK3	12-Hole Cable Ladder Rung	Kit of 3	9.8 (4.4)



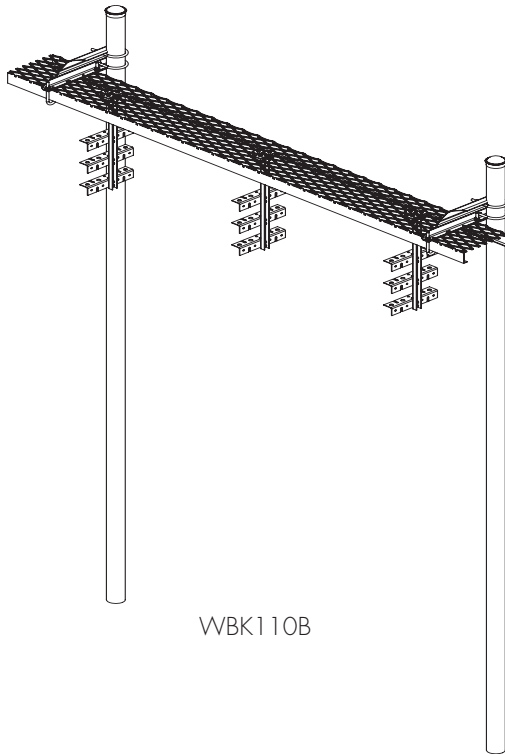
Waveguide Bridge

The image features a dark blue background with several light blue geometric shapes. A large circle is on the right side. In the top left, there is a smaller circle. A horizontal bar is positioned in the middle. Below it, a large triangle points downwards. At the bottom, there are several horizontal bars of varying lengths and positions, creating a layered, architectural appearance.

WAVEGUIDE BRIDGE

12" Safety Grated Bridge Kits

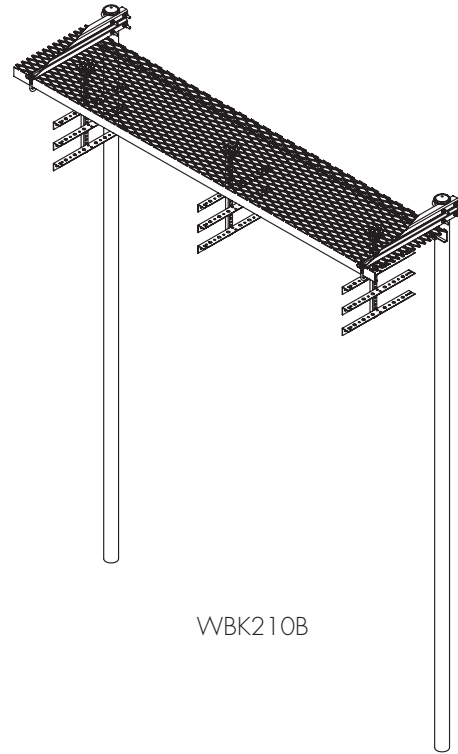
Application: Waveguide Bridge Kits
Size: 12" Width x 10' Length
Design: 14 Gage Safety Grated, 3" Side Rail
Feature: Direct Burial or Removable Base Shoe
Material: Hot Dip Galvanized Steel
Includes: Complete Bridge Kit



WBK110B

24" Safety Grated Bridge Kits

Application: Waveguide Bridge Kits
Size: 24" Width x 10' Length
Design: 14 Gage Safety Grated, 3" Side Rail
Feature: Direct Burial or Removable Base Shoe
Material: Hot Dip Galvanized Steel
Includes: Complete Bridge Kit



WBK210B

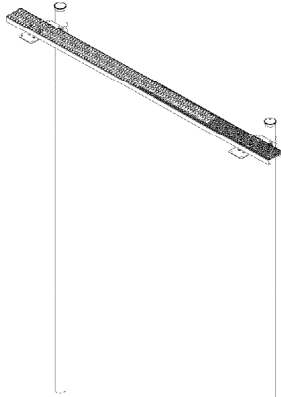
Part #	Description	Kit Qty	Wt. Lbs (Wt. Kg)
WBK110B	12" x 10' Safety Grated Waveguide Bridge Kit with Triple Trapeze and Two (2) 13'-4" Direct Burial Posts	Each	253.0 (115.0)
WBK110B10	12" x 10' Safety Grated Waveguide Bridge Kit with Triple Trapeze and Two (2) 10'-6" Direct Burial Posts	Each	253.0 (115.0)
WBK110B15	12" x 10' Safety Grated Waveguide Bridge Kit with Triple Trapeze and Two (2) 15'-4" Direct Burial Posts	Each	253.0 (115.0)
WBK110S	12" x 10' Safety Grated Waveguide Bridge Kit with Triple Trapeze and Two (2) 10'-6" Base Shoe Posts (Removable Base Shoe)	Each	220.0 (100.0)
WBK110BHK	Hardware Kit for WBK110B Series	Each	150.0 (68.0)

Part #	Description	Kit Qty	Wt. Lbs (Wt. Kg)
WBK210B	24" x 10' Safety Grated Waveguide Bridge Kit with Triple Trapeze and Two (2) 13'-4" Direct Burial Posts	Each	295.0 (134.0)
WBK210B10	24" x 10' Safety Grated Waveguide Bridge Kit with Triple Trapeze and Two (2) 10'-6" Direct Burial Posts	Each	295.0 (134.0)
WBK210B15	24" x 10' Safety Grated Waveguide Bridge Kit with Triple Trapeze and Two (2) 15'-4" Direct Burial Posts	Each	295.0 (134.0)
WBK210S	24" x 10' Safety Grated Waveguide Bridge Kit with Triple Trapeze and Two (2) 10'-6" Base Shoe Posts (Removable Base Shoe)	Each	262.0 (119.0)
WBK210BHK	Hardware Kit for WBK210B Series	Each	195.0 (88.4)

WAVEGUIDE BRIDGE

7" Safety Grated Bridge Kits

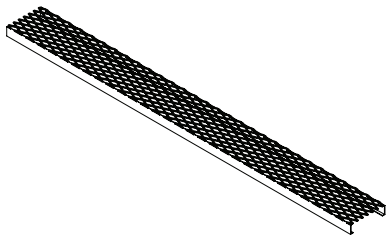
Application: Waveguide Bridge
Size: 7" Width, 10' Length
Feature: Safety Grate
Material: Hot Dip Galvanized Steel
Includes: Posts, Caps, Grating & Brackets
Ordered Separately: Trapeze kits & Vertical Waveguide Hanger Bracket



Part #	Description	Kit Qty	Wt. Lbs (Wt. Kg)
WBK0710B	7" x 10' Safety Grated Waveguide Bridge Kit with Direct Burial Posts, 14 Gauge	Each	183.5 (83.2)

Safety Grip Strut

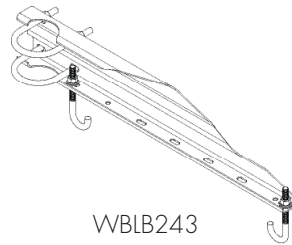
Application: Waveguide Bridge
Size: 7", 12" & 24" Width, 10' Length
Material: Hot Dip Galvanized Steel



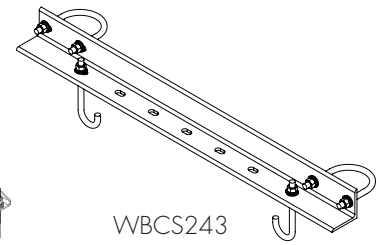
Part #	Description	Kit Qty	Wt. Lbs (Wt. Kg)
WBCY710	Safety Grip Strut, 7" x 10' x 2", 14 Gauge	Each	40.0 (18.1)
WBCY110	Safety Grip Strut, 12" x 10' x 3", 14 Gauge	Each	70.0 (31.7)
WBCY210	Safety Grip Strut, 24" x 10' x 3", 14 Gauge	Each	127.0 (57.6)

Waveguide Bridge Support Brackets

Application: Waveguide Bridge
Size: 12" and 24"
Design: Formed Steel
Material: Hot Dip Galvanized Steel
Includes: U-Bolts, Bracket & Mounting Hardware



WBLB243

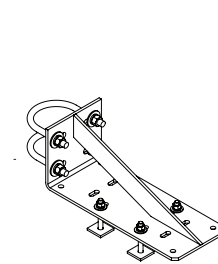


WBCS243

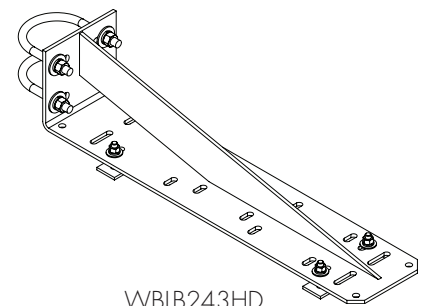
Part #	Description	Kit Qty	Wt. Lbs (Wt. Kg)
WBLB123	12" Waveguide Bridge Support Bracket	Each	12.0 (5.0)
WBLB243	24" Waveguide Bridge Support Bracket	Each	21.0 (10.0)
WBCS243	24" Waveguide Bridge Support Angle for Four Post Bridge Kits	Each	18.0 (8.0)

Heavy-Duty Waveguide Bridge Support Brackets

Application: Waveguide Bridge
Size: 12" and 24"
Design: Formed Steel
Material: Hot Dip Galvanized Steel
Includes: U-Bolts, Bracket & Mounting Hardware



WBLB123HD



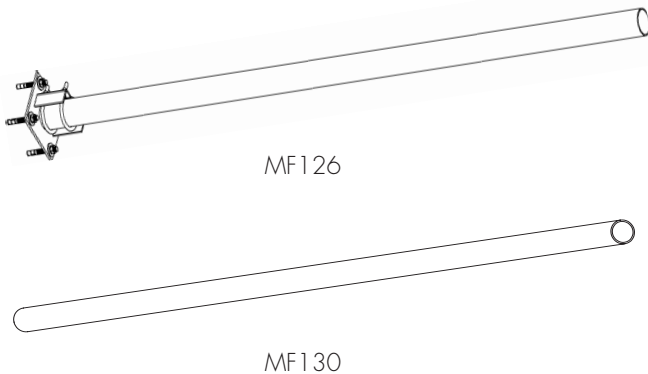
WBLB243HD

Part #	Description	Kit Qty	Wt. Lbs (Wt. Kg)
WBLB123HD	12" Heavy-duty Waveguide Bridge Support Bracket	Each	12.0 (5.0)
WBLB243HD	24" Heavy-duty Waveguide Bridge Support Bracket	Each	21.0 (10.0)

WAVEGUIDE BRIDGE

Waveguide Bridge Posts

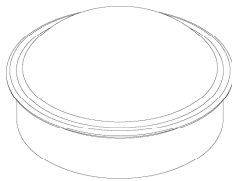
Application: Waveguide Bridge
Size: 3-1/2" OD
Design: Schedule 40 Pipe
Material: Hot Dip Galvanized Steel
Order Separately: Channel, Brackets & Additional Accessories



Part #	Description	Kit Qty	Wt. Lbs (Wt. Kg)
MF126	10'-6" Long, 3-1/2" OD, Base Shoe Post with Anchors	Kit of 1	86.0 (39.0)
MF130	13'-4" Long 3-1/2" OD, Direct Burial Post	Each	108.0 (49.0)
MF273	15'-4" Long 3-1/2" OD, Direct Burial Post	Each	108.0 (49.0)

Pipe Caps

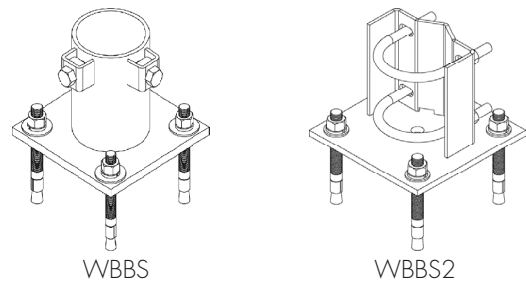
Application: Waveguide Bridge
Design: Slip-On
Material: Hot Dip Galvanized Steel
Order Separately: Waveguide Bridge Posts



Part #	Description	Kit Qty	Wt. Lbs (Wt. Kg)
PC034	3-1/2" OD Post Cap	Each	0.8 (0.4)

Base Shoe Adapter Kit

Application: Waveguide Bridge
Size: 8" x 8" Plate
Feature: Fits 3-1/2" OD Pipe
Material: Hot Dip Galvanized Steel
Includes: Bracket, Anchors & U-bolts (for WBBS2)
Order Separately: 3-1/2" Pipe

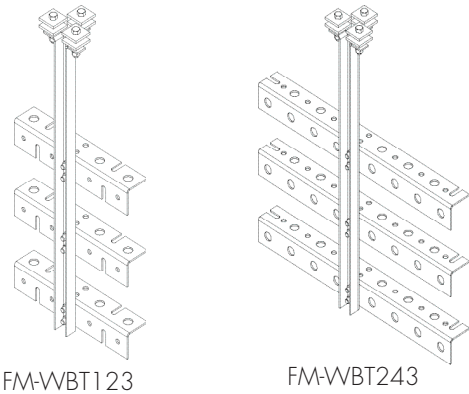


Part #	Description	Kit Qty	Wt. Lbs (Wt. Kg)
WBBS	Base Shoe Adapter Kit for 3-1/2" OD Pipe, Includes Anchors	Each	15.3 (6.9)
WBBS2	Base Shoe Adapter Kit for 3-1/2" OD Pipe, Includes Anchors	Each	14.2 (6.4)

WAVEGUIDE BRIDGE

T-Style Trapeze Kits

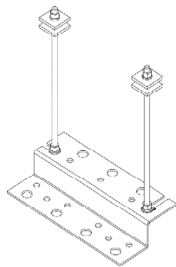
Application: Waveguide Bridge
Size: 12" & 24" Widths
Design: T-Style with 3/4" & 7/16" Holes
Feature: Ease of Installation
Material: Hot Dip Galvanized Steel
Includes: Trapeze & Mounting Hardware



Part #	Description	Kit Qty	Wt. Lbs (Wt. Kg)
WBT123	12" Wide T-Style Trapeze Kit, Three Rung	Each	9.0 (4.0)
WBT243	24" Wide T-Style Trapeze Kit, Three Rung	Each	13.0 (6.0)

Trapeze Kits

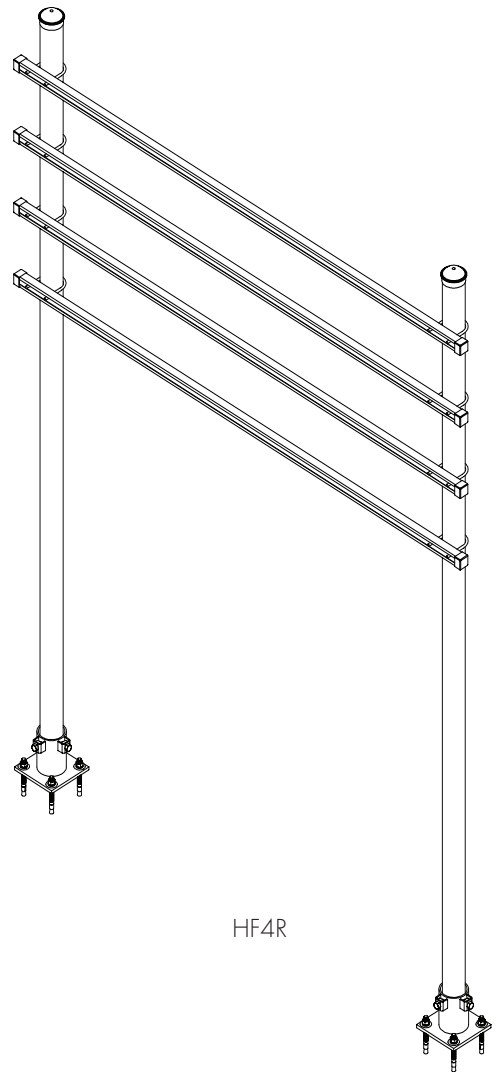
Application: Waveguide Bridge
Size: 12" & 24" Widths
Design: Z-Style with 3/4" & 7/16" Holes
Feature: Ease of Installation
Material: Hot Dip Galvanized Steel



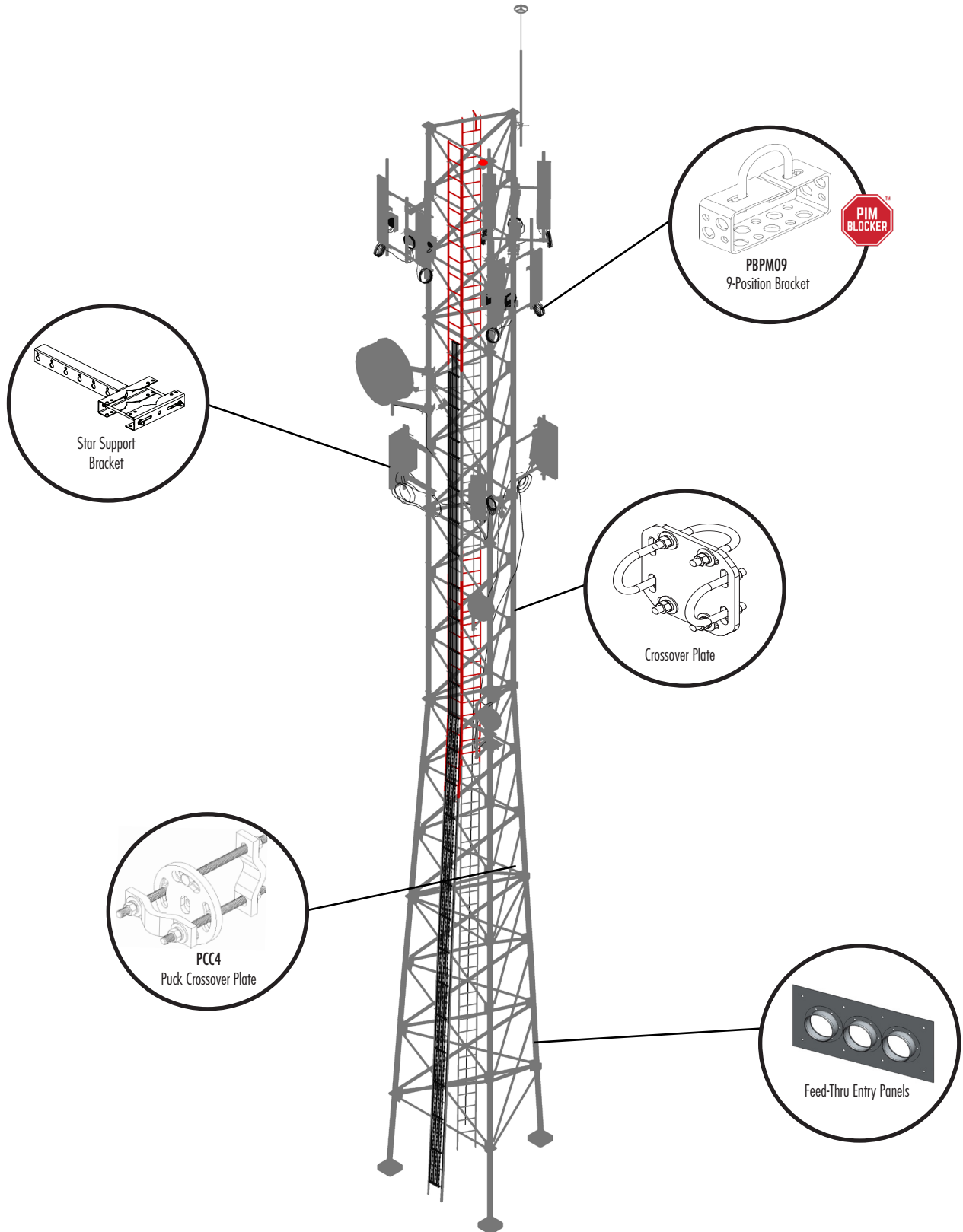
Part #	Description	Kit Qty	Wt. Lbs (Wt. Kg)
MT35712	12" Wide Z-Style Trapeze Kit	Each	4.0 (1.8)
MT35724	24" Wide Z-Style Trapeze Kit	Each	7.0 (3.2)

H-Frame 4 or 5 Rung Equipment Rack

Application: Equipment Mounting
Size: 3-1/2" OD x 126" Long Posts, 120" Rungs
Design: 1-5/8" Slotted Square Support Rail
Feature: Adjustable Post Width
Material: Hot Dip Galvanized Steel
Includes: Posts, Caps, Struts & Mounting Hardware



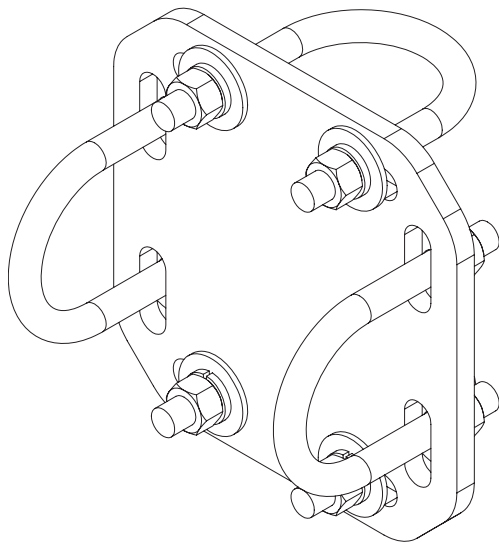
Part #	Description	Kit Qty	Wt. Lbs (Wt. Kg)
HF4R	H-Frame 4 Rung Equipment Rack, 10' Wide	Each	200.0 (90.7)
HF5R	H-Frame 5 Rung Equipment Rack, 10' Wide	Each	242.0 (109.7)



RRU & ANTENNA MOUNTS

Crossover Plates

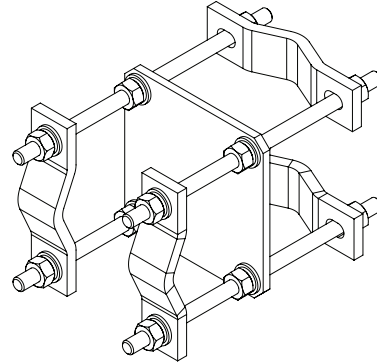
Application: Antenna Mounting
Size: 7 Sizes
Design: Fabricated Steel
Feature: Ease of Installation
Mounts to: Round Members
Material: Hot Dip Galvanized Steel
Includes: U-Bolts with Flat Plate
Order Separately: Antenna Mounting Pipe



Part #	Description	Kit Qty	Wt. Lbs (Wt. Kg)
XP2020	Crossover Plate, 2-3/8" to 2-3/8" OD Round Members	Each	11.0 (5.0)
XP2025	Cross Over Plate, 2-3/8" to 2-7/8" OD Round Members	Each	11.0 (5.0)
XP2030	Crossover Plate, 2-3/8" to 3-1/2" OD Round Members	Each	12.0 (5.0)
XP2040	Crossover Plate, 2-3/8" to 4-1/2" OD Round Members	Each	12.5 (6.0)
XP2525	Crossover Plate, 2-7/8" to 2-7/8" OD Round Members	Each	11.0 (5.0)
XP2530	Crossover Plate, 2-7/8" to 3-1/2" OD Round Members	Each	12.5 (6.0)
XP3030	Crossover Plate, 3-1/2" to 3-1/2" OD Round Members	Each	13.0 (6.0)

Universal Crossover Clamp

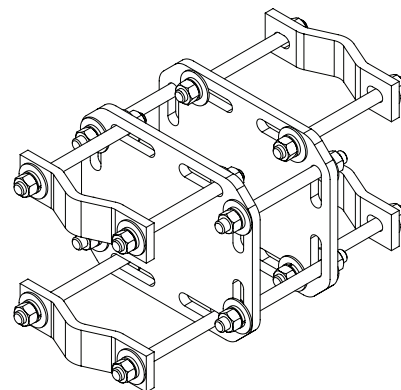
Application: Antenna Mounting
Size: 2" to 5" OD Members
Feature: Universal
Mounts to: Antenna Pipe
Material: Hot Dip Galvanized Steel



Part #	Description	Kit Qty	Wt. Lbs (Wt. Kg)
C0200	Universal Crossover Plate for 2" to 5" OD Round Members	Each	18.1 (8.2)

Standoff Arm Crossover Mount

Application: Antenna Mounting
Size: Fits 2" to 5-1/2" OD Members
 Up to 4-1/2" x 4-1/2" Square Members
Feature: Universal
Mounts to: Antenna Pipe
Material: Hot Dip Galvanized Steel

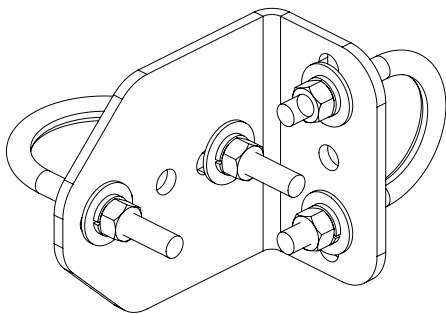
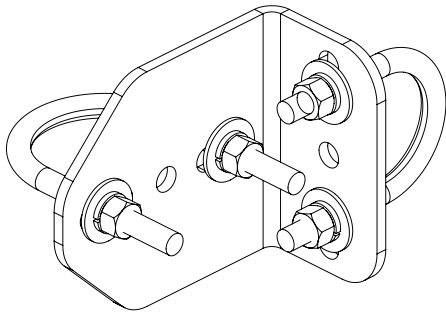


Part #	Description	Kit Qty	Wt. Lbs (Wt. Kg)
XP197U	Standoff Arm Crossover Mount	Each	28.7 (13.0)

RRU & ANTENNA MOUNTS

Crossover Angles

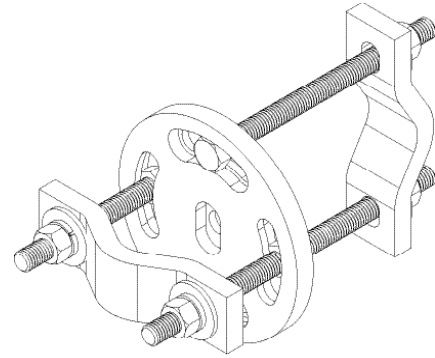
Application: Antenna Mounting
Design: Formed Steel
Feature: Ease of Installation
Mounts to: Round Members
Material: Hot Dip Galvanized Steel
Includes: U-Bolt with Cross Angle
Order Separately: Antenna Mounting Pipe



Part #	Description	Kit Qty	Wt. Lbs (Wt. Kg)
XA2020	Crossover Angle, 2-3/8" OD to 2-3/8" OD Round Members	Kit of 2	3.9 (1.8)
XA2030	Crossover Angle, 2-3/8" OD to 2-7/8" OD Round Members	Kit of 2	3.9 (1.8)

Puck Crossover Plate

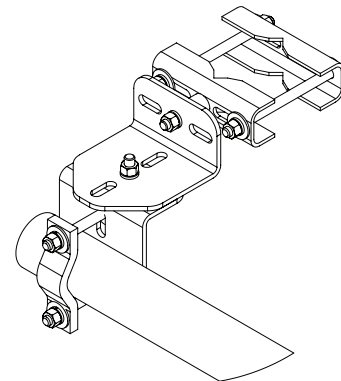
Application: Antenna Mounting
Design: Clamps and Bolts With Flat Plate
Feature: Joins 2-3/8" to 3-1/2" OD Round Members
Material: Hot Dip Galvanized Steel
Includes: Clamps, Bolt Assemblies & Flat Plate



Part #	Description	Kit Qty	Wt. Lbs (Wt. Kg)
PCC4	Puck Crossover Clamp Kit, Joins range of 2-3/8" to 3-1/2" OD Round Members	Each	6.0 (2.7)

Stiff Arm Kit, Tower Side

Application: Antenna Mounting
Size: 2-3/8" or 2-7/8" OD Round Members
Feature: Easy Installation
Material: Hot Dip Galvanized Steel
Includes: Clamps, Brackets & Hardware

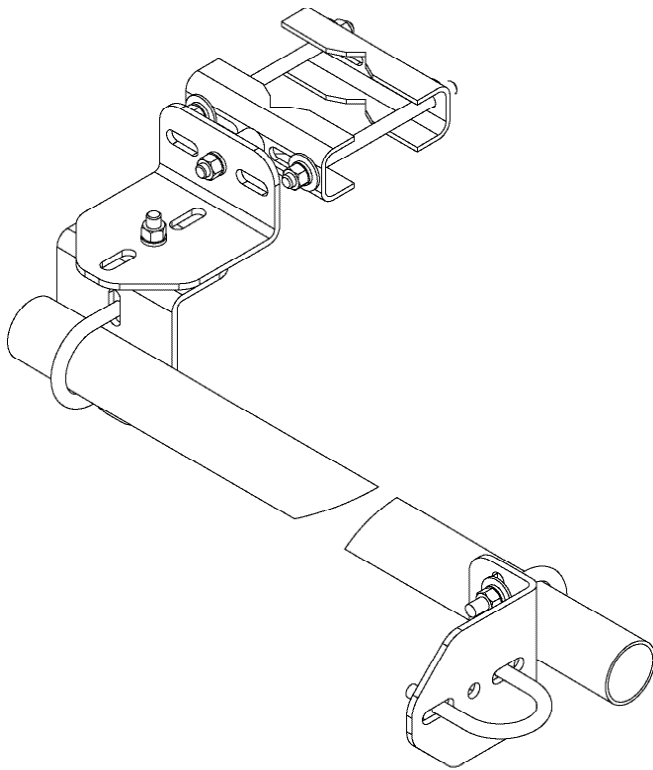


Part #	Description	Kit Qty	Wt. Lbs (Wt. Kg)
SABUT	Stiff Arm Kit, Tower Side	Each	12.8 (5.8)

RRU & ANTENNA MOUNTS

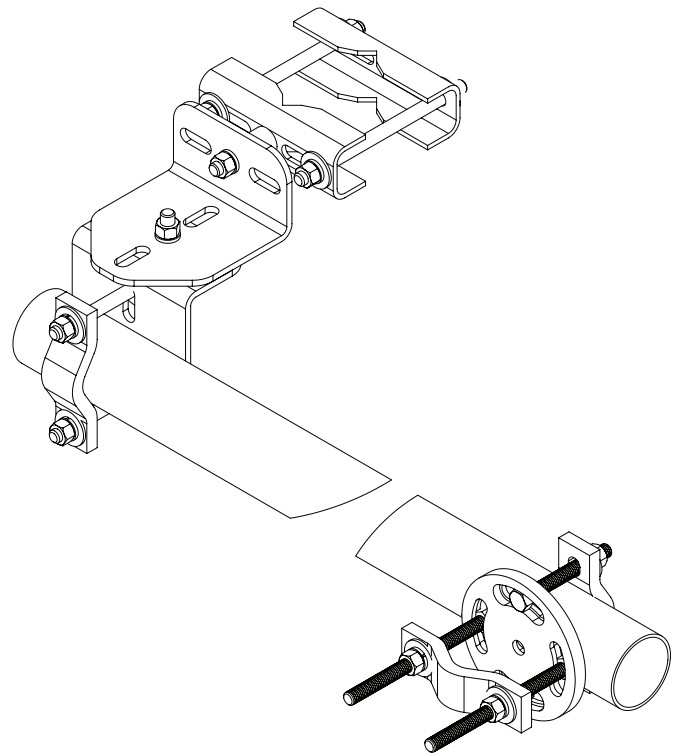
Stiff Arm Bracket

Application: Antenna Mounting
Size: 2-3/8" OD Pipe
Feature: Universal Tower Attachment
Mounts to: Round & Angle Members
Material: Hot Dip Galvanized Steel
Includes: Brackets & Hardware



Universal Stiff Arm Bracket

Application: Antenna Mounting
Size: 2-3/8" or 2-7/8" Stiff Arm Pipe
Feature: Universal Tower Attachment
Mounts to: Round & Angle Members
Material: Hot Dip Galvanized Steel
Includes: Brackets & Hardware



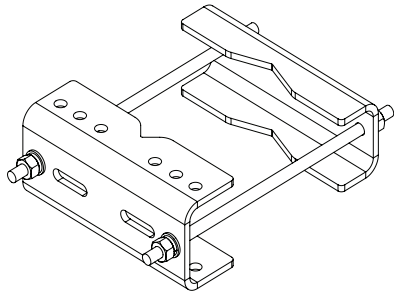
Part #	Description	Kit Qty	Wt. Lbs (Wt. Kg)
SAB	Stiff Arm Bracket (No Pipe)	Each	13.0 (5.9)
SAB10	Stiff Arm Bracket with 2-3/8" OD x 10'6" Pipe	Each	53.0 (24.0)
SAB12	Stiff Arm Bracket with 2-3/8" OD x 12'6" Pipe	Each	60.0 (27.2)

Part #	Description	Kit Qty	Wt. Lbs (Wt. Kg)
SABU	Universal Stiff Arm Bracket (No Pipe)	Each	19.0 (8.6)
SABU10	Universal Stiff Arm Bracket with 2-7/8" OD x 10'6" Pipe	Each	56.0 (25.4)
SABU12	Universal Stiff Arm Bracket with 2-7/8" OD x 12'6" Pipe	Each	63.1 (28.6)

RRU & ANTENNA MOUNTS

Universal Saddle Mount

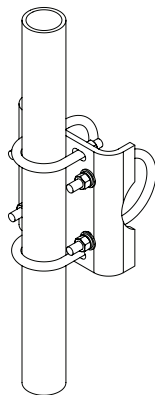
Application: Antenna Mounting
Design: Formed Steel
Feature: Accomodates 2-3/8" and 4-1/2" OD Pipe
Mounts to: Tower Members
Material: Hot Dip Galvanized Steel



Part #	Description	Kit Qty	Wt. Lbs (Wt. Kg)
USM2080K1	Universal Saddle Mount for Straight or Tapered Legs Up to 8" or 60° Angle, 90° Angle up to 6"	Each	30.0 (13.5)

Pipe Mount Kits

Application: Antenna Mounting
Size: 2-3/8" or 2-7/8" to 3-1/2" Pipe
Feature: Easy Installation & Antenna Down Tilt
Mounts to: 3-1/2" OD Pipe Frames
Material: Hot Dip Galvanized Steel

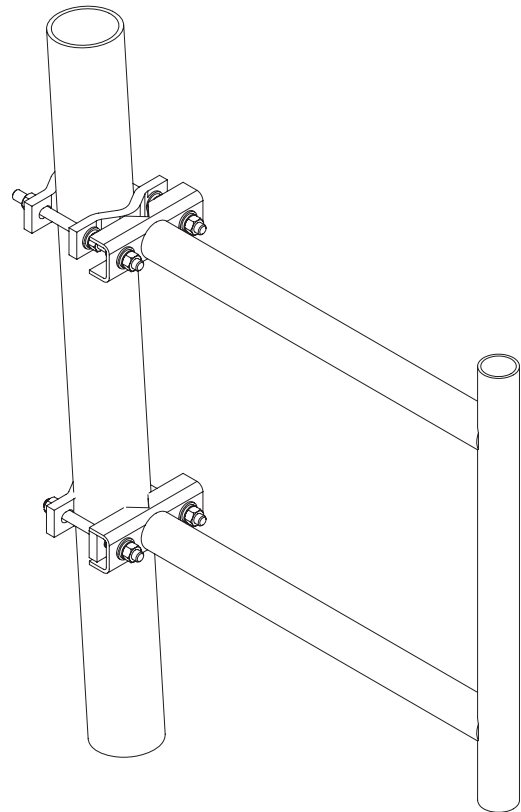


Pipe Ordered Separately

Part #	Description	Kit Qty	Wt. Lbs (Wt. Kg)
MT219H	Pipe Mount Hardware Kit for 2-3/8" to 3-1/2" OD Pipe	Each	12.0 (5.4)
MT219MH	Pipe Mount Kit, 2-7/8" to 3-1/2" OD Pipe	Each	12.5 (5.7)

Stand-Off Arms Light Duty

Application: Antenna Mounting
Size: Stand-Off 24", 36" and 48"
Design: Welded One Piece Stand-Off
Mounts to: Straight or Tapered Legs
Material: Hot Dip Galvanized Steel
Includes: Standoff & Clamps for 1-1/2" to 3-1/2" OD

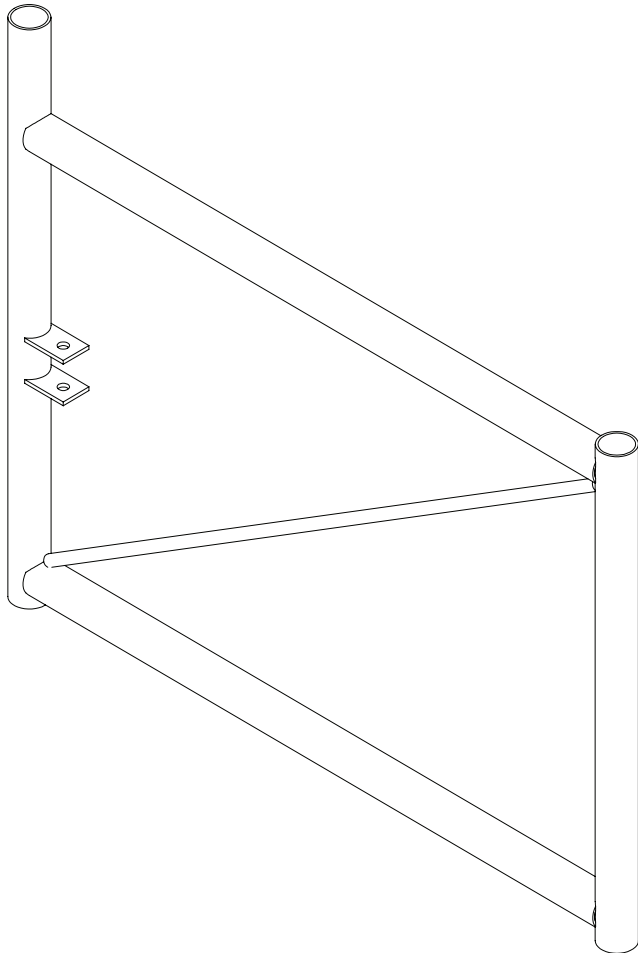


Part #	Description	Kit Qty	Wt. Lbs (Wt. Kg)
S200	24" Stand-Off Bracket with 24" Long x 1-7/8" OD Antenna Mounting Pipe	Each	23.0 (10.0)
S300	36" Stand-Off Bracket with 24" Long x 1-7/8" OD Antenna Mounting Pipe	Each	28.0 (13.0)
S400	48" Stand-Off Bracket with 32.5" Long x 1-7/8" OD Antenna Mounting Pipe	Each	41.0 (19.0)

RRU & ANTENNA MOUNTS

Heavy-Duty Standoff Bracket

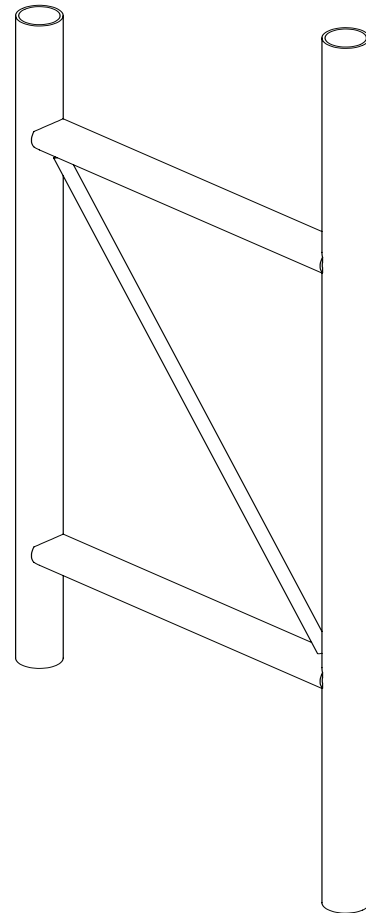
Application: Antenna Mounting
Size: Welded Standoff 48" & 72"
Design: Heavy Duty Pipe Welded Standoff
Mounts to: Tower Members Straight or Tapered Legs
Material: Hot Dip Galvanized Steel
Includes: Standoff Only
Order Separately: Pipe to Pipe Clamps



Part #	Description	Kit Qty	Wt. Lbs (Wt. Kg)
HS400	48" Heavy-Duty Standoff Bracket with 38.5" Long x 2.375" OD Vertical Pipe	Each	55.7 (25.3)
HS600	72" Heavy-Duty Standoff Bracket with 42.5" Long x 2.88" OD Vertical Pipe	Each	111.4 (50.5)

Panel Antenna Standoff

Application: Antenna Mounting
Size: Welded Standoff 24" & 36"
Design: Pipe Welded Standoff
Mounts to: Tower Members Straight or Tapered Legs
Material: Hot Dip Galvanized Steel
Includes: Standoff Only
Order Separately: Pipe to Pipe Clamps

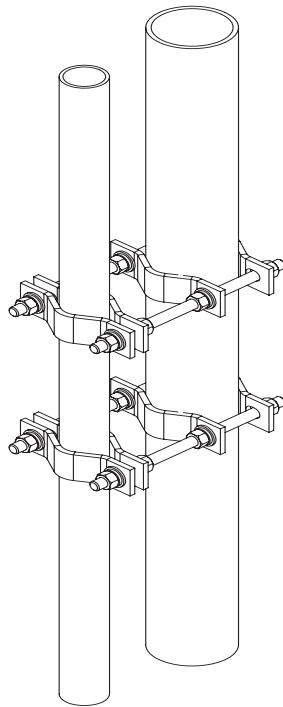


Part #	Description	Kit Qty	Wt. Lbs (Wt. Kg)
P200	24" Panel Antenna Standoff with 70" Long x 2.375" OD Antenna Mounting Pipe	Each	55.0 (25.0)
P300	36" Panel Antenna Standoff with 70" Long x 2.375" OD Antenna Mounting Pipe	Each	62.0 (28.0)

RRU & ANTENNA MOUNTS

Pipe to Pipe Clamp Sets

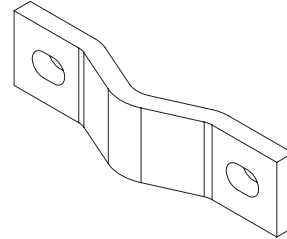
Application: Antenna Mounting
Size: 5 Versions
Design: Formed Clamps and 1/2" Threaded Rod
Mounts to: Various Ranges, See Descriptions
Material: Hot Dip Galvanized Steel
Includes: Half Clamps & Threaded Rods
Order Separately: Antenna Mounting Pipe or Stand-Off Brackets



Part #	Description	Kit Qty	Wt. Lbs (Wt. Kg)
BC2010	Vertical Pipe to Pipe Adaptor Joins Two 1-1/2" OD to 3-1/2" OD Pipes	Kit of 2	9.0 (4.0)
BC3010	Heavy Duty Vertical Pipe to Pipe Adaptor Joins Two 1-1/2" OD to 3-1/2" OD Pipes	Kit of 2	13.0 (6.0)
BC3514	Heavy Duty Vertical Pipe to Pipe Adaptor Joins Two 2-3/8" OD to 5" OD Pipes, 14" Rod	Kit of 2	28.0 (13.0)
BC3518	Heavy Duty Vertical Pipe to Pipe Adaptor Joins Two 2-3/8" OD to 5" OD Pipes, 18" Rod	Kit of 2	28.0 (13.0)
BC4016	Heavy Duty Vertical Pipe to Pipe Adaptor Joins Two 4" OD to 9" OD Pipes, 16" Rod	Kit of 2	36.0 (16.0)

Clamp Half

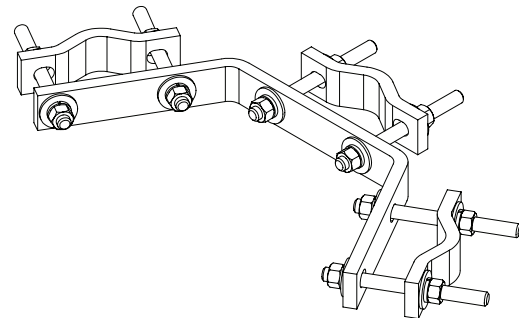
Application: Antenna Mounting
Design: Formed Clamps
Material: Hot Dip Galvanized Steel
Includes: Clamp
Order Separately: Threaded Rod



Part #	Description	Kit Qty	Wt. Lbs (Wt. Kg)
ACP10	Clamp Half, 1-1/2" to 3-1/2" OD Pipe, Utilizes 1/2" Threaded Rod	Each	0.5 (0.2)
DCP10	Clamp Half, 1-1/2" to 5" OD Pipe, Utilizes 5/8" Threaded Rod	Each	1.8 (0.8)
SCP10	Clamp Half, 1-1/2" to 3-1/2" OD Pipe, Utilizes 1/2" Threaded Rod	Each	1.1 (0.5)

Double Antenna Clamp

Application: Antenna Mounting
Design: Formed Bracket and Clamps
Material: Hot Dip Galvanized Steel
Includes: Bracket, Clamps & Hardware
Ordered Separately: Pipe

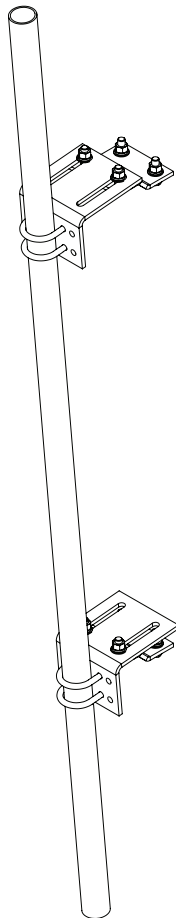


Part #	Description	Kit Qty	Wt. Lbs (Wt. Kg)
DAC200	Double Antenna Clamp, 1-1/2" to 3-1/2" OD Pipe	Kit of 2	21.5 (9.7)

RRU & ANTENNA MOUNTS

Sliding Pipe Mount Brackets

Application: Antenna Mounting
Size: Brackets for 2-3/8" or 4-1/2" OD Pipe
Design: Adjustable Sliding Clamps
Feature: Up to Seven Degrees of Taper
Mounts to: Saddle Mount
Material: Hot Dip Galvanized Steel
Includes: Adjustable Sliding Clamps with Hardware
Order Separately: Saddle Mounts & Pipe

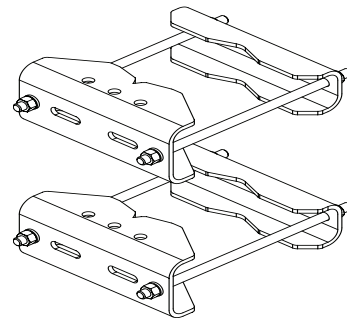


Pipe Ordered Separately

Part #	Description	Kit Qty	Wt. Lbs (Wt. Kg)
PMSL2	Universal Tapered Pipe Mount Brackets for 2-3/8" OD Pipe	Kit of 2	31.0 (14.0)
PMSL4	Universal Tapered Pipe Mount Brackets for 4-1/2" OD Pipe	Kit of 2	33.0 (2.0)

Saddle Mounts

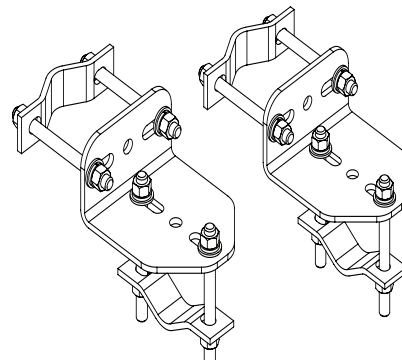
Application: Antenna Mounting
Design: Formed Steel
Feature: Accommodates 2-3/8" & 4-1/2" OD Pipe
Mounts to: Tower Members
Material: Hot Dip Galvanized Steel
Includes: Saddle Mount
Order Separately: Antenna Mounting Pipe & U-bolts



Part #	Description	Kit Qty	Wt. Lbs (Wt. Kg)
SMU2080	Universal Saddle Mount for Straight or Tapered Legs Up to 8" or 60° Angle, 90° Angle up to 6"	Kit of 2	60.0 (27.0)

Universal Crossover Angle

Application: Pipe Mounting
Design: Formed Steel
Feature: Ease of Installation
Material: Hot Dip Galvanized Steel
Includes: Half Clamps, Cross Angle & Hardware

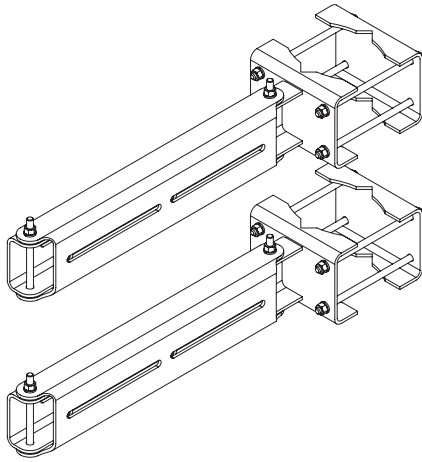


Part #	Description	Kit Qty	Wt. Lbs (Wt. Kg)
XAU	Universal Crossover Angle	Kit of 2	12.29 (5.57)

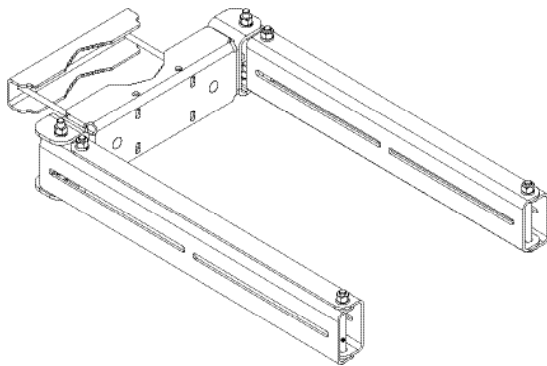
RRU & ANTENNA MOUNTS

RRU Dual Swivel Mount

Application:	Radio Mounts
Size:	21" Standoff
Design:	Formed Steel
Feature:	Dual Pivot Points
Mounts From:	Angled and Round Member up to 5" OD
Material:	Hot Dip Galvanized Steel
Includes:	Mounting Brackets & Attachment Hardware



Part #	Description	Kit Qty	Wt. Lbs (Wt. Kg)
RRUDSM	RRU Dual Swivel Mount	Kit of 2	46.0 (20.8)

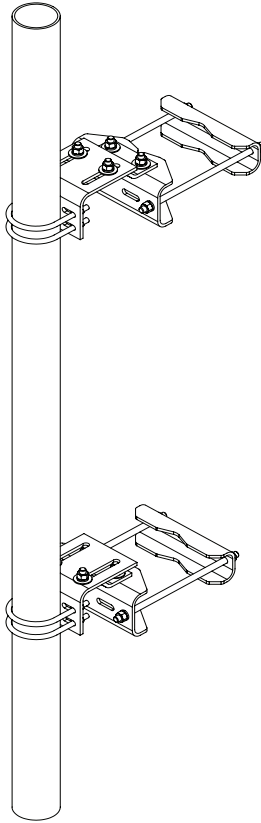


Part #	Description	Kit Qty	Wt. Lbs (Wt. Kg)
RRUDPM	Dual RRU Pivoting Tower Mount	Kit of 2	43.5 (19.7)

RRU & ANTENNA MOUNTS

Sliding Pipe Mount Bracket with Saddle

Application: Antenna Mounting
Size: Accommodates 2-3/8" OD Pipe
Design: Saddle Mount with Adjustable Sliding Clamps
Feature: Up to Seven Degrees of Taper
Mounts to: Up to 8" OD Straight or Tapered Legs or 60° Angle Legs
Material: Hot Dip Galvanized Steel
Includes: Saddle Mount with Adjustable Sliding Clamps

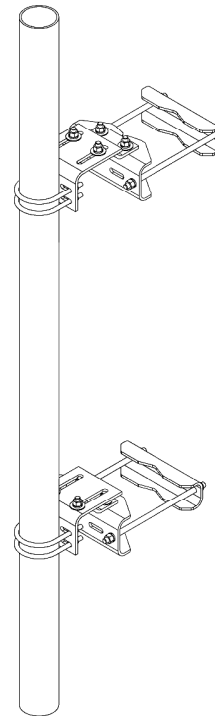


Pipe Ordered Separately

Part #	Description	Kit Qty	Wt. Lbs (Wt. Kg)
PMSU2B	Universal Sliding Pipe Mount Kit for 2-3/8" OD Pipe, Pipe Ordered Separately	Kit of 2	81.0 (37.0)
PMSU2B72	Universal Sliding Pipe Mount Kit for 2-3/8" OD Pipe, Includes 6' (72") Pipe	Kit of 2	81.0 (37.0)
PMSU2B96	Universal Sliding Pipe Mount Kit for 2-3/8" OD Pipe, Includes 8' (96") Pipe	Kit of 2	81.0 (37.0)
PMSU2B126	Universal Sliding Pipe Mount Kit for 2-3/8" OD Pipe, Includes 10'6" (126") Pipe	Kit of 2	81.0 (37.0)

Sliding Pipe Mount Bracket with Saddle

Application: Antenna Mounting
Size: Accommodates 4-1/2" OD Pipe
Design: Saddle Mount with Adjustable Sliding Clamps
Feature: Up to Seven Degrees of Taper
Mounts to: Up to 8" OD Straight or Tapered Legs or 60° Angle Legs
Material: Hot Dip Galvanized Steel
Includes: Saddle Mount with Adjustable Sliding Clamps



Pipe Ordered Separately

Part #	Description	Kit Qty	Wt. Lbs (Wt. Kg)
PMSU4B	Universal Sliding Pipe Mount Kit for 4-1/2" OD Pipe, Pipe Ordered Separately	Kit of 2	85.0 (39.0)
PMSU4B48	Universal Sliding Pipe Mount Kit for 4-1/2" OD Pipe, Includes 4' (48") Pipe	Kit of 2	169.0 (76.7)
PMSU4B63	Universal Sliding Pipe Mount Kit for 4-1/2" OD Pipe, Includes 5'3" (63") Pipe	Kit of 2	138.0 (62.6)
PMSU4B72	Universal Sliding Pipe Mount Kit for 4-1/2" OD Pipe, Includes 6' (72") Pipe	Kit of 2	169.0 (76.7)
PMSU4B96	Universal Sliding Pipe Mount Kit for 4-1/2" OD Pipe, Includes 8' (96") Pipe	Kit of 2	169.0 (76.7)
PMSU4B126	Universal Sliding Pipe Mount Kit for 4-1/2" OD Pipe, Includes 10'6" (126") Pipe	Kit of 2	169.0 (76.7)

RRU & ANTENNA MOUNTS

Standard Pipe

Size: 2-3/8" to 4-1/2" OD
 Design: 0.12" Wall Thick High Strength Tube
 Material: Hot Dip Galvanized Steel, A500 Grade B



Schedule 40 Pipe

Size: 2-3/8" to 4-1/2" OD
 Design: Schedule 40
 Material: Hot Dip Galvanized Steel, A500 Grade B/C



Part #	Description	Kit Qty	Wt. Lbs (Wt. Kg)
2-3/8" OD x 0.12" Wall Pipe			
MT651	2-3/8" x 6' (72") Plain End Pipe	Each	18.6 (7.8)
MT65184	2-3/8" x 7' (84") Plain End Pipe	Each	21.8 (10.4)
MT65196	2-3/8" x 8' (96") Plain End Pipe	Each	24.9 (10.4)
MT537	2-3/8" x 10'6" (126") Plain End Pipe	Each	32.6 (13.6)
MT651144	2-3/8" x 12' (144") Plain End Pipe	Each	37.3 (16.2)
MT651150	2-3/8" x 12'6" (150") Plain End Pipe	Each	38.8 (16.2)
MT537174	2-3/8" x 14'6" (174") Plain End Pipe	Each	42.7 (16.2)
MT537252	2-3/8" x 21' (252") Plain End Pipe	Each	45.1 (16.2)
2-7/8" OD Pipe x 0.12" Wall Pipe			
MT54696	2-7/8" x 8' (96") Plain End Pipe	Each	49.5 (22.4)
MT546120	2-7/8" x 10' (120") Plain End Pipe	Each	61.8 (28.0)
MT546126	2-7/8" x 10'6" (126") Plain End Pipe	Each	64.9 (29.5)
MT546144	2-7/8" x 12' (144") Plain End Pipe	Each	76.5 (34.9)
MT546150	2-7/8" x 12'6" (150") Plain End Pipe	Each	77.3 (35.1)
MT546174	2-7/8" x 14'6" (174") Plain End Pipe	Each	88.0 (39.9)
MT546252	2-7/8" x 21' (252") Plain End Pipe	Each	130.0 (59.0)
3-1/2" OD Pipe x 0.12" Wall Pipe			
MT547126	3-1/2" x 10'6" (126") Plain End Pipe	Each	65.9 (29.9)
MT3165FP150	3-1/2" x 12'6" (150") Plain End Pipe	Each	78.4 (35.6)
MF130	3-1/2" x 13'4" (160") Plain End Pipe	Each	79.0 (35.8)
MF273	3-1/2" x 15'4" (184") Plain End Pipe	Each	96.2 (43.6)

*Additional Sizes Available Upon Request

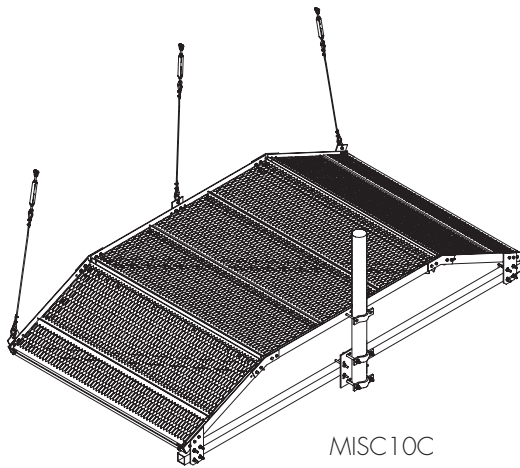
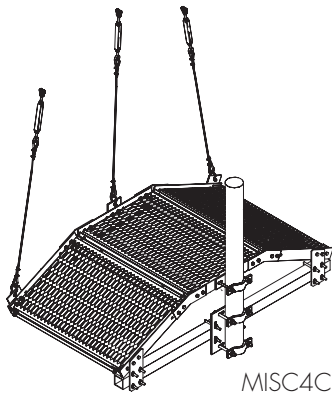
Part #	Description	Kit Qty	Wt. Lbs (Wt. Kg)
2-3/8" OD Schedule 40			
MT6517240	2-3/8" x 6' (72") Plain End Pipe	Each	23.5 (10.6)
MT6518440	2-3/8" x 7' (84") Plain End Pipe	Each	27.5 (12.4)
MT6519640	2-3/8" x 8' (96") Plain End Pipe	Each	31.4 (14.2)
MT53740	2-3/8" x 10'6" (126") Plain End Pipe	Each	41.2 (18.6)
MT65114440	2-3/8" x 12' (144") Plain End Pipe	Each	47.1 (21.3)
MT65115040	2-3/8" x 12'6" (150") Plain End Pipe	Each	47.8 (21.6)
MT65117440	2-3/8" x 14'5" (174") Plain End Pipe	Each	56.9 (25.8)
MT65125240	2-3/8" x 21' (252") Plain End Pipe	Each	82.2 (37.2)
2-7/8" OD Schedule 40			
MT5469640	2-7/8" x 8' (96") Plain End Pipe	Each	49.8 (22.5)
MT54612040	2-7/8" x 10' (120") Plain End Pipe	Each	62.3 (28.2)
MT54612640	2-7/8" x 10'6" (126") Plain End Pipe	Each	65.4 (29.6)
MT54614440	2-7/8" x 12' (144") Plain End Pipe	Each	74.7 (33.8)
MT54615040	2-7/8" x 12'6" (150") Plain End Pipe	Each	77.8 (35.2)
MT54617440	2-7/8" x 14'6" (174") Plain End Pipe	Each	90.3 (40.9)
MT54625240	2-7/8" x 21' (252") Plain End Pipe	Each	130.7 (59.2)
3-1/2" OD Schedule 40			
MT54712640	3-1/2" x 10'6" (126") Plain End Pipe	Each	85.6 (38.8)
MT54716040	3-1/2" x 13'4" (160") Plain End Pipe	Each	108.7 (49.3)
MT54718440	3-1/2" x 15'4" (184") Plain End Pipe	Each	125.0 (56.7)
4-1/2" OD Schedule 40			
MT653	4-1/2" x 4' (48") Plain End Pipe	Each	46.5 (21.0)
MT65472	4-1/2" x 6' (72") Plain End Pipe	Each	69.7 (31.6)
MT65496	4-1/2" x 8' (96") Plain End Pipe	Each	92.9 (42.1)
MT654126	4-1/2" x 10'6" (126") Plain End Pipe	Each	121.9 (55.2)

*Additional Sizes Available Upon Request

RRU & ANTENNA MOUNTS

Microwave Ice Shields

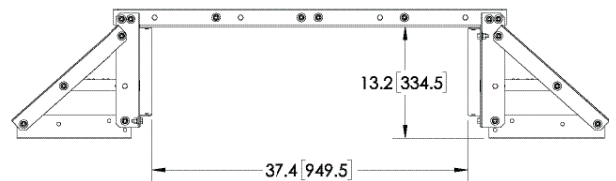
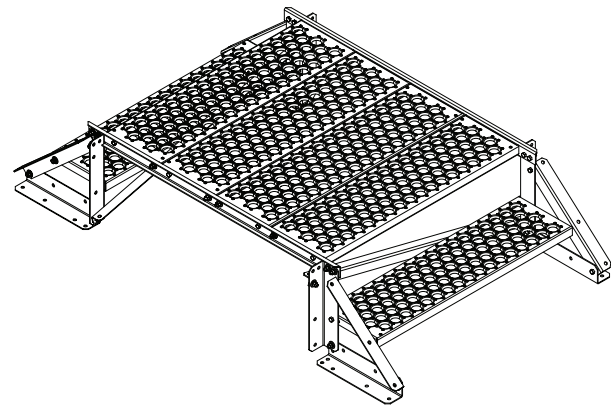
Application: Antenna Mounting
Size: Five Versions Available (See Table)
Design: Heavy Duty Microwave Dish Protection
Feature: Easy Assembly Panels
Mounts to: 4-1/2" to 5-1/2" OD Pipe
Material: Hot Dip Galvanized Steel
Includes: All Attachment Hardware



Part #	Description	Kit Qty	Wt. Lbs (Wt. Kg)
MIS4C	4' Microwave Ice Shield	Each	304.0 (138.0)
MIS6C	6' Microwave Ice Shield	Each	385.0 (175.0)
MIS8C	8' Microwave Ice Shield	Each	720.0 (327.0)
MIS10C	10' Microwave Ice Shield	Each	818.0 (371.0)
MIS12C	12' Microwave Ice Shield	Each	985.0 (447.0)

Rooftop Stepmover

Application: Cable Management
Size: 37.4" x 13.2" Clearance
Design: Cable Protection
Feature: Grated Steps
Mounts to: Rooftop
Material: Hot Dip Galvanized Steel
Includes: Stepmover

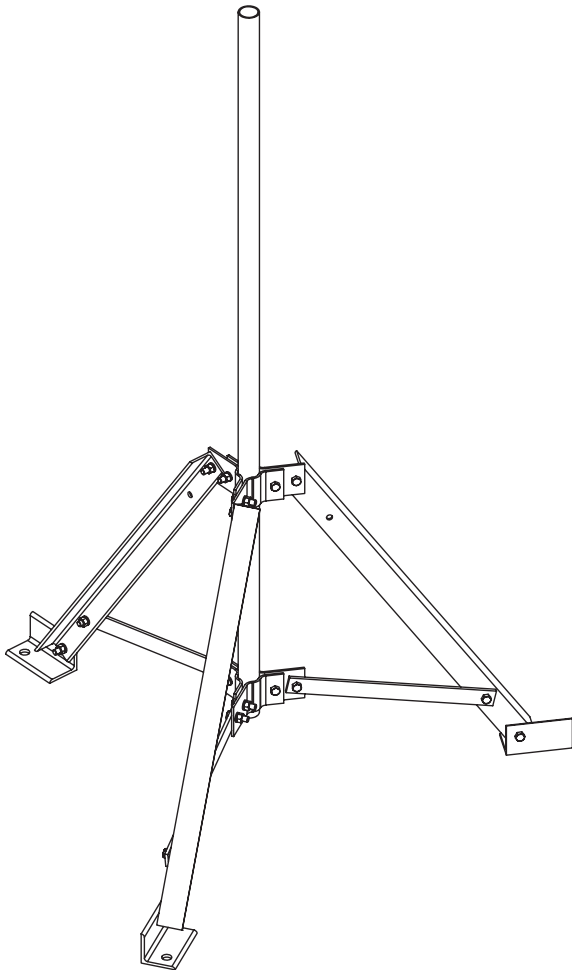


Part #	Description	Kit Qty	Wt. Lbs (Wt. Kg)
RTST	Rooftop Stepmover	Each	144.0 (65.3)

RRU & ANTENNA MOUNTS

Tripod Mount

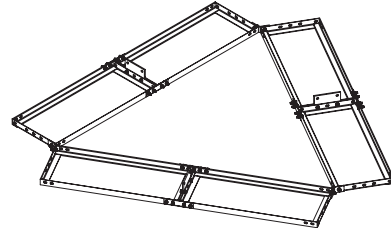
Application: Antenna Mounting
Size: 1.9" to 2-7/8" OD
Feature: Penetrating or Non with Addition of Base Unit
Material: Hot Dip Galvanized Steel
Includes: Tripod Base & Hardware
Order Separately: Roof Sled, Rubber Mats & Pipe



Part #	Description	Kit Qty	Wt. Lbs (Wt. Kg)
TPGUSB	Universal Tripod Mount for 1.9" to 2-7/8" OD Pipe (Pipe Ordered Separately)	Each	55.0 (25.0)

Tripod Roof Sled

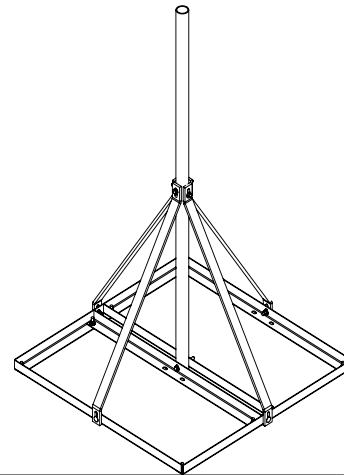
Application: Antenna Mounting
Size: 87" Width
Feature: Non-Penetrating for Tripod Mounts
Material: Hot Dip Galvanized Steel
Includes: Base/Sled Unit Only
Order Separately: Tripod Mount, Rubber Mats & Pipe



Part #	Description	Kit Qty	Wt. Lbs (Wt. Kg)
MT416	Roof Sled Non-Penetrating	Each	80.0 (36.0)

Non-Penetrating Mount

Application: Antenna Mounting
Size: 35" Square Base
Design: Non-Penetrating
Material: Hot Dip Galvanized Steel
Order Separately: Rubber Mats

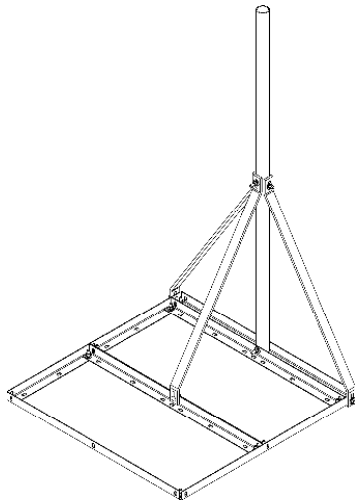


Part #	Description	Kit Qty	Wt. Lbs (Wt. Kg)
RMSM19060	Non-Penetrating Roof Mount with 1.9" OD x 60" Pipe Included	Each	63.0 (29.0)

RRU & ANTENNA MOUNTS

Parapet Mount

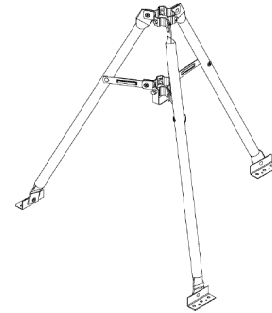
Application: Antenna Mounting
Size: 35" Square Base
Design: Non-Penetrating
Material: Hot Dip Galvanized Steel
Order Separately: Rubber Mats



Part #	Description	Kit Qty	Wt. Lbs (Wt. Kg)
RTPM19060	Roof Top Parapet Mount, 1.9" OD x 60" Tall Mast	Each	63.0 (29.0)
RTPM23860	Roof Top Parapet Mount, 2.38" OD x 60" Tall Mast	Each	66.0 (30.0)

Light Duty Tripod Antenna Mount

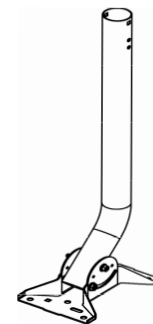
Application: Antenna Mounting
Size: 36" Tall Base, 23.25" Between Legs
Design: Penetrating & Non-Penetrating
Material: Steel with Zinc Plating
Includes: Base
Ordered Separately: Pipe



Part #	Description	Kit Qty	Wt. Lbs (Wt. Kg)
TAM36	Tripod Antenna Mount, 36", Fits 1.3" - 2" OD Pipe (Pipe not included)	Each	8.1 (3.6)
TPCST28	Tripod Center Support Tube, 28", 1-5/8" OD & 2" OD	Each	2.2 (1.0)

J-Mount

Application: Antenna Mounting
Size: 22" & 39" Mounting Pipe
Design: Swivel Base
Feature: Adjustable Angle
Material: Powder Coated Steel
Ordered Separately: Attachment Hardware

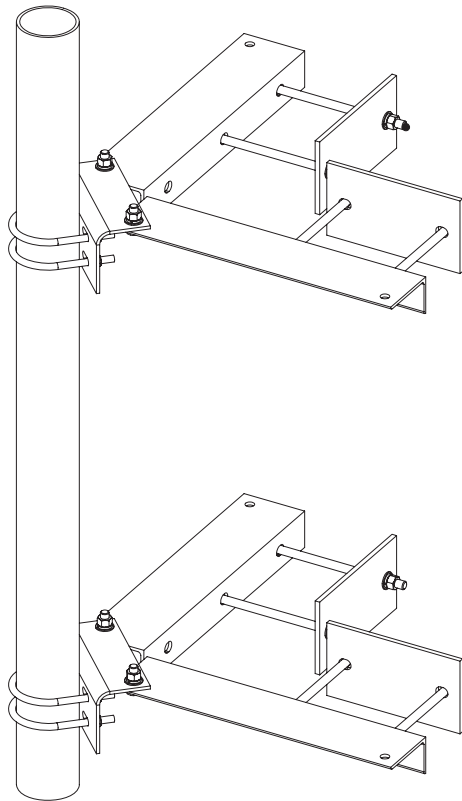


Part #	Description	Kit Qty	Wt. Lbs (Wt. Kg)
JPM22	J-Mount, 22", Powder Coated	Each	3.6 (1.6)
JPM39	J-Mount, 39", Powder Coated	Each	5.4 (2.4)

RRU & ANTENNA MOUNTS

Corner Wall Mount

Application: Antenna Mounting
Size: 2-3/8" or 4-1/2" OD Pipe
Design: Corner Mount
Feature: Heavy-Duty & Universal Separation
Mounts to: Solid or Hollow Wall
Material: Hot Dip Galvanized Steel
Includes: Two Complete Brackets, 96" Length Pipe, Mounting Hardware for Solid and Hollow Walls

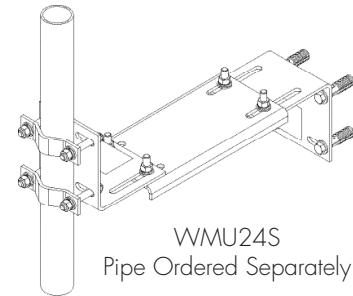


Pipe Ordered Separately

Part #	Description	Kit Qty	Wt. Lbs (Wt. Kg)
CWM296	Corner Wall Mount with 2-3/8" x 96" Pipe	Each	135.0 (61.0)
CWM496	Corner Wall Mount with 4-1/2" x 96" Pipe	Each	190.0 (86.2)

Universal Wall Mount

Application: Antenna Mounting
Size: 14" to 24" Stand-Off
Design: Stand-Off
Feature: Adjustable Standoff
Mounts To: 3/4" to 2-3/8" Pipe
Material: Hot Dip Galvanized Steel

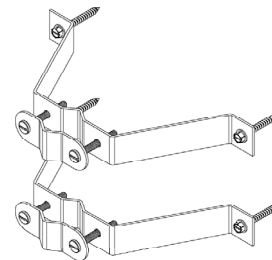


WMU24S
Pipe Ordered Separately

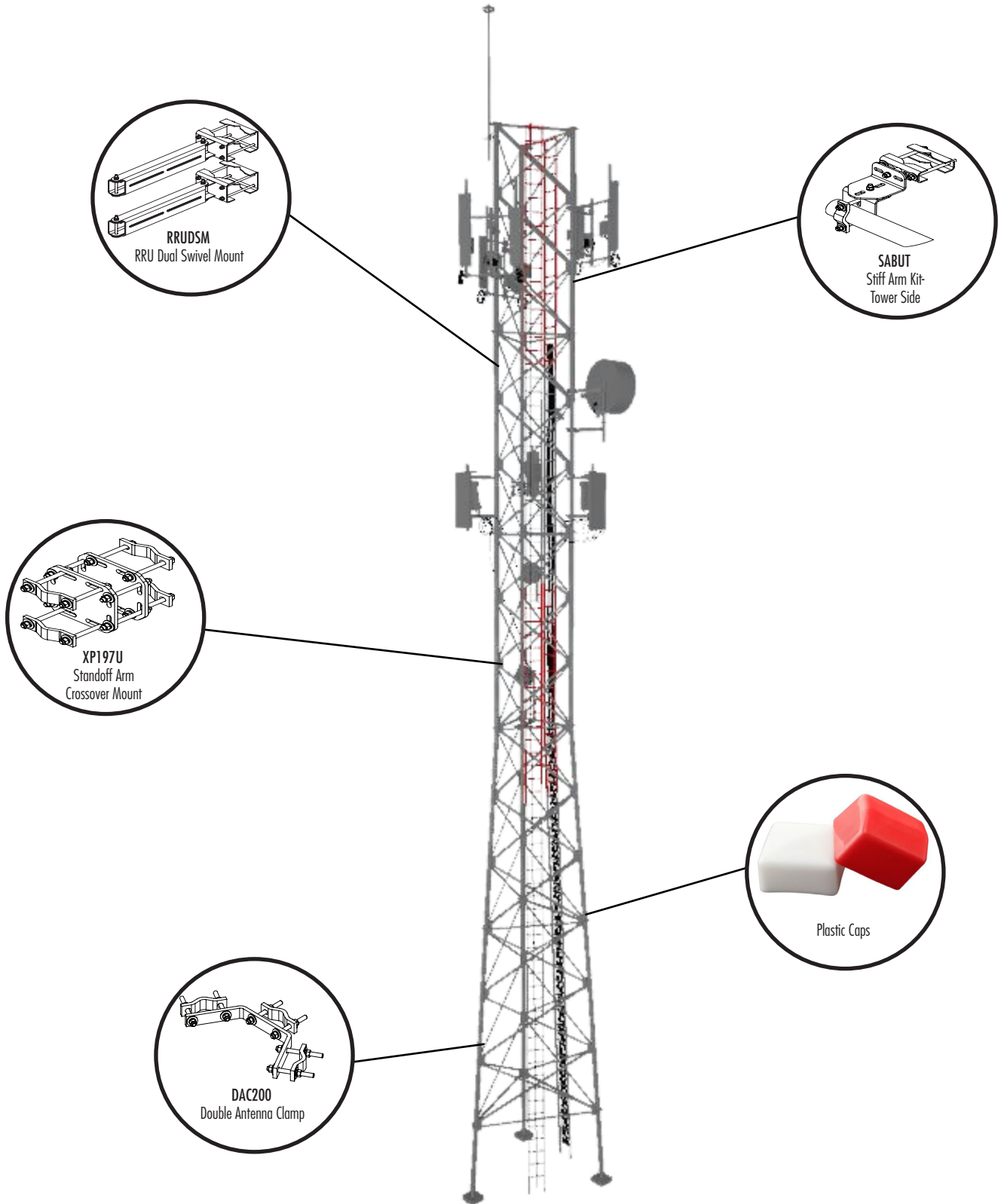
Part #	Description	Kit Qty	Wt. Lbs (Wt. Kg)
WMU24S	Wall Mount, Universal Light Duty Solid Wall, 14" - 24" Stand-Off	Kit of 1	24.4 (11.1)
WMU24SHD	Wall Mount, Universal Heavy Duty Solid, 14" - 24" Stand-Off	Kit of 2	49.9 (22.6)

Light-Duty Wall Mount

Application: Wall Mount
Size: 0.68" to 1.9" OD Pipe, 4" Standoff
Design: Stand-Off
Feature: Light-Duty
Material: Hot Dip Galvanized Steel
Includes: Brackets & Hardware
Ordered Separately: Pipe



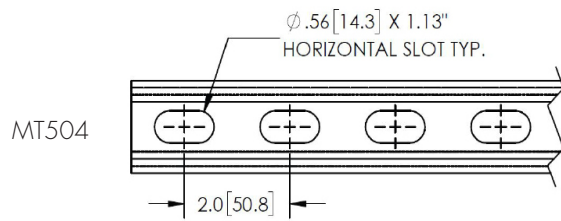
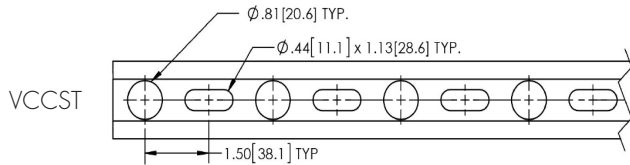
Part #	Description	Kit Qty	Wt. Lbs (Wt. Kg)
LDWM04	Light-Duty Wall Mount Kit, 4", For 0.68" - 1.9" Pipe	Each	1.4 (0.6)



SITE RELATED

Square Rail

Application:	Equipment Support
Size:	1-5/8" Widths
Design:	Slotted and Universal
Material:	Hot Dip Galvanized & Pre-Galvanized Steel

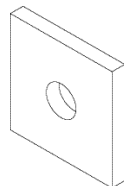


Part #	Description	Kit Qty	Wt. Lbs (Wt. Kg)
VCCST	1-5/8" x 7/8" Support Rail with 13/16" Hole and 7/16" x 1-1/8" Slots, 10' Length, HDG	Each	14.00 (6.00)
MT504	1-5/8" Square Support Rail with 9/16" x 1-1/8" Slots, 10' Length, HDG	Each	13.00 (6.00)

Spring Nut & Square Washer



Spring Nut



Square Washer

Part #	Description	Kit Qty	Wt. Lbs (Wt. Kg)
MT491	1-5/8" Spring Nut, 3/8" Threaded Hole	Each	0.03 (0.07)
MT387	1-5/8" Square Washer, 7/16" Hole	Each	0.10 (0.05)

Anti-Corrosion Lubricant

Application:	Corrosion Prevention
Feature:	Low PIM
Includes:	8 Oz Tin Can with Brush



Part #	Description	Kit Qty	Wt. Lbs (Wt. Kg)
NOOXCWB	Anti-Corrosion Lubricant, Tin Can with Brush, 8oz	Kit of 1	0.61 (0.27)

Plastic Caps



Part #	Description	Kit Qty	Wt. Lbs (Wt. Kg)
ENDCAPR78100	End Cap Red for 1-5/8" x 7/8"	Kit of 100	0.94 (0.43)
ENDCAPW78100	End Cap White for 1-5/8" x 7/8"	Kit of 100	0.94 (0.43)
ENDCAPR100	End Cap Red for 1-5/8" x 1-5/8"	Kit of 100	1.10 (0.50)
ENDCAPW100	End Cap White for 1-5/8" x 1-5/8"	Kit of 100	1.10 (0.50)

DIN End Cap



Part #	Description	Kit Qty	Wt. Lbs (Wt. Kg)
DEC4310	4.3 - 10 Female End Cap, Brass Nickel Plated	Each	0.04 (0.01)

SITE RELATED

CAP Stud End Cap

Size: 3/8" or 10mm Rods
Design: Molded Polymer
Feature: Protects Threaded Ends
Material: PVC
Includes: Caps



Part #	Description	Kit Qty	Wt. Lbs (Wt. Kg)
6133140010	CAP 3/8" or M10 Stud End Caps, Black	5,000	12.00 (5.40)

INDEX

1013010655	3-4
1013010870	3-4
1013010870	3-4
1013020665	3-4
1013020875	3-4
1013020875	3-4
6115160060	2-13
6115160076	2-13
6115160090	2-13
6115160114	2-13
6115160140	2-13
6115300108	3-5
6115381010	1-7
6115381015	1-7
6115381020	1-7
6115381025	1-7
6115381030	1-7
6116530040	2-13
6116530048	2-13
6116530058	2-13
6116530070	2-13
6116530084	2-13
6116530100	2-13
6116530121	2-13
6116530140	2-13
6116530180	2-13
6116530221	2-13
6116530320	2-13
6118081010	3-4
6118081050	3-4

6118081050	3-4
6118081075	3-4
6118081075	3-4
6118081100	3-4
6120090020	2-2
6120090030	2-2
6120090040	2-2
6120090050	2-2
6120100020	3-5
6120100020	3-10
6120100021	3-10
6120100021	3-10
6120100030	3-5
6120100030	3-10
6120100031	3-10
6120100031	3-10
6120100040	3-5
6120100040	3-10
6120100041	3-10
6120100041	3-10
6120100050	3-5
6120100050	3-10
6120100051	3-10
6120100051	3-10
6120130020	3-7
6120130030	3-7
6120130040	3-7
6120130050	3-7
6121090020	1-2
6121090030	1-2

6121090040	1-2
6121090050	1-2
6122040011	5-1
6122040012	5-1
6122040078	5-1
6122040114	5-1
6122040158	5-1
6122090407	1-1
6122090411	1-1
6122090710	1-1
6122091014	1-1
6122091017	1-1
6122091417	1-1
6122091724	1-1
6122092330	1-1
6122093037	1-1
6122093542	1-1
6125231938	1-3
6125232019	1-3
6125233019	1-3
6125233038	1-3
6129237085	3-4
6129237145	3-4
6129237165	3-4
6132091000	1-9
6133070212	1-8
6133070507	1-8
6133070511	1-8
6133070514	1-8
6133070709	1-8

6133070711	1-8
6133070714	1-8
6133070717	1-8
6133070720	1-8
6133070911	1-8
6133070914	1-8
6133072212	1-8
6133072214	1-8
6133072220	1-8
6133072221	1-8
6133072712	1-8
6133072714	1-8
6133072717	1-8
6133074008	1-7
6133074009	1-7
6133074011	1-7
6133074012	1-7
6133074013	1-7
6133074014	1-7
6133074021	1-7
6133074055	1-7
6133074058	1-7
6133074078	1-7
6133074114	1-7
6133074158	1-7
6133074214	1-7
6133074408	1-9
6133074411	1-9
6133074412	1-9
6133074414	1-9

INDEX

6133074465	1-9
6133077205	1-8
6133077207	1-8
6133077209	1-8
6133077211	1-8
6133077265	1-8
6133140010	9-2
6133150011	1-9
6133150012	1-9
6133150014	1-9
6133150021	1-9
6133150078	1-9
6133150114	1-9
6133150158	1-9
6134020056	5-3
6150000012	3-3
6150000058	3-3
6150000078	3-3
6150000079	3-3
6150000114	3-3
6150000158	3-3
6150010012	3-1
6150010078	3-1
6150010079	3-1
6150010114	3-1
6150010115	3-1
6150010116	3-1
6150010158	3-1
6150010159	3-1
6150015012	3-1

6150015078	3-1
6150015079	3-1
6150015114	3-1
6150015115	3-1
6150015116	3-1
6150015158	3-1
6150015159	3-1
6150020012	3-9
6150020013	3-9
6150020013	3-9
6150020078	3-9
6150020079	3-9
6150020079	3-9
6150020079	3-9
6150020080	3-9
6150020080	3-9
6150020114	3-9
6150020115	3-9
6150020115	3-9
6150020115	3-9
6150020115	3-9
6150020116	3-9
6150020116	3-9
6150020116	3-9
6150020117	3-9
6150020117	3-9
6150020158	3-9
6150020159	3-9
6150020159	3-9
6150020159	3-9
6150020160	3-9

6150020160	3-9
6150210012	3-2
6150210078	3-2
6150210079	3-2
6150210114	3-2
6150210115	3-2
6150210116	3-2
6150210158	3-2
6150210159	3-2
6150215012	3-2
6150215078	3-2
6150215079	3-2
6150215114	3-2
6150215115	3-2
6150215116	3-2
6150215158	3-2
6150215159	3-2
6150410012	3-8
6150410078	3-8
6150410079	3-8
6150410114	3-8
6150410115	3-8
6150410116	3-8
6150410158	3-8
6150410159	3-8
6150420012	3-8
6150420078	3-8
6150420079	3-8
6150420114	3-8
6150500078	3-7

6150500114	3-7
6150500158	3-7
6150510012	3-6
6150510078	3-6
6150510079	3-6
6150510114	3-6
6150510115	3-6
6150510116	3-6
6150510158	3-6
6150510159	3-6
6150520012	3-6
6150520078	3-6
6150520079	3-6
6150520114	3-6
6150520115	3-6
6150520116	3-6
6150520158	3-6
6150520159	3-6
6160002450	3-3
6160002480	3-3
8510007004	1-7
8510007006	1-7
8510007008	1-7
8510007012	1-7
6122040012S	5-1
6150210158.08 LP.01	3-11
A	
AAGL	2-10
AAGU	2-10

INDEX

AAGUS	2-10
AASL	2-10
AAU	2-10
AAUS	2-10
ACP10	8-6
ACSD24	6-1
ARA22	2-2
B	
BA400	5-4
BA500	5-4
BC053383	2-7
BC064124	2-8
BC10202158	2-7
BC1023158	2-7
BC10232158	2-7
BC1028158	2-7
BC124	2-7
BC134158	2-7
BC138158	2-7
BC1410	2-8
BC14381258	2-8
BC1439163	2-8
BC144122	2-8
BC144384	2-8
BC144582	2-8
BC2010	8-6
BC2431	2-9
BC2478	2-7
BC3010	8-6
BC3514	8-6

BC3518	8-6
BC3819163	2-7
BC384122	2-8
BC384582	2-8
BC387	2-8
BC4016	8-6
BC567121530	2-8
BC582	2-7
BC6810121425	2-8
BCE1051	2-9
BCE151	2-9
BCE2202	2-9
BCE601	2-9
BCE631	2-9
BCE771	2-9
BCE902	2-9
BCU114	2-5
BCU12	2-5
BCU158	2-5
BCU158M7	2-5
BCU214	2-5
BCU78	2-5
BH114NH	2-3
BH12NH	2-3
BH158NH	2-3
BH180NH	2-3
BH214NH	2-3
BH3812	2-4
BH43NH	2-3
BH52NH	2-3

BH58NH	2-3
BH63NH	2-3
BH64NH	2-3
BH77NH	2-3
BH78NH	2-3
C	
CBA114	1-6
CBA12	1-6
CBA14	1-6
CBA158	1-6
CBA214	1-6
CBA23	1-6
CBA35	1-6
CBA38	1-6
CBA4	1-6
CBA58	1-6
CBA78	1-6
CBHK1SS	1-6
CBHK2SS	1-6
CBHK3SS	1-6
CH114NH	2-4
CH12NH	2-4
CH158NH	2-4
CH78NH	2-4
CHA1141	2-14
CHA121	2-14
CHA122	2-14
CHA123	2-14
CHA124	2-14
CHA125	2-14

CHA1271	2-14
CHA12F1	2-14
CHA12F2	2-14
CHA12F3	2-14
CHA12F4	2-14
CHA1501	2-14
CHA1581	2-14
CHA1801	2-14
CHA2141	2-14
CHA2201	2-14
CHA371	2-14
CHA381	2-14
CHA383	2-14
CHA389	2-14
CHA461	2-14
CHA521	2-14
CHA581	2-14
CHA582	2-14
CHA583	2-14
CHA584	2-14
CHA631	2-14
CHA632	2-14
CHA771	2-14
CHA781	2-14
CHA782	2-14
CHA783	2-14
CHA784	2-14
CHA851	2-14
CHA901	2-14
CIN1278	2-6

INDEX

CIN14114	2-6
CIN1478	2-6
CIN17114	2-6
CIN22114	2-6
CIN28114	2-6
CIN33114	2-6
CIN38114	2-6
CIN3812	2-6
CIN3878	2-6
CIN536478	2-6
CIN58114	2-6
CINE040612	2-9
CINE040638	2-9
CLO410U	6-4
CLO420U	6-4
CLO4RK3	6-4
CLO610U	6-4
CLO620U	6-4
CLO6RK3	6-4
CLO910U	6-4
CLO920U	6-4
CLO9RK3	6-4
CL1001	6-4
CL1210U	6-4
CL1220U	6-4
CL12RK3	6-4
CL2001	6-4
CLHKU	6-4
CMTB	5-3
CMTB10	5-3

CMTBR	5-3
CMTBR10	5-3
CMTG	5-3
CMTG10	5-3
CMTGR	5-3
CMTGR10	5-3
CMTO	5-3
CMTO10	5-3
CMTR	5-3
CMTR10	5-3
CMTV	5-3
CMTV10	5-3
CMTW	5-3
CMTW10	5-3
CMTY	5-3
CMTY10	5-3
CO200	8-1
CS2060	5-2
CS4060	5-2
CSU1212	5-2
CSU12158	5-2
CSU1278	5-2
CSUA1278	5-2
CTP4	6-3
CWM296	8-14
CWM496	8-14
D	
DAC200	8-6
DCP10	8-6
DEC4310	9-1

E	
ECGKU2H5UT	4-1
ENDCAPR100	9-1
ENDCAPR78100	9-1
ENDCAPW100	9-1
ENDCAPW78100	9-1
EP1118	5-4
EP1199	5-4
EP1336	5-4
EP1338	5-4
EP1340	5-4
EP1447	5-4
EP1448	5-4
EP1449	5-4
EP1635	5-4
EP1861	5-4
EP220	5-4
EP549	5-4
EP574	5-4
EP575	5-4
EP576	5-4
EPCAP4	5-4
EPCAP5	5-4
G	
GB0206NH	4-3
GB0206TNH	4-3
GB0206TU	4-3
GB0206U	4-3
GB0210NH	4-3
GB0210TNH	4-3

GB0210TU	4-3
GB0210U	4-3
GB0212NH	4-3
GB0212TNH	4-3
GB0212TU	4-3
GB0212U	4-3
GB0214NH	4-3
GB0214TNH	4-3
GB0214TU	4-3
GB0214U	4-3
GB0412NH	4-4
GB0412TNH	4-4
GB0412TU	4-4
GB0412U	4-4
GB0414NH	4-4
GB0414TNH	4-4
GB0414TU	4-4
GB0414U	4-4
GB0420NH	4-4
GB0420TNH	4-4
GB0420TU	4-4
GB0420U	4-4
GB0424NH	4-4
GB0424TNH	4-4
GB0424TU	4-4
GB0424U	4-4
GBHKDPU	4-5
GBHKU	4-5
GBIT	4-5
GKN114C2	4-2

INDEX

GKN12C2	4-2
GKN14C2	4-2
GKN158C2	4-2
GKN78C2	4-2
GKNL	4-2
GKNM	4-2
GKNS	4-2
GKQ114T	4-1
GKQ114T2	4-1
GKQ12T	4-1
GKQ12T2	4-1
GKQ158T	4-1
GKQ158T2	4-1
GKQ78T	4-1
GKQ78T2	4-1
GKS200BRT	4-2
GKS400BRT	4-2
GKS600BRT	4-2
GKU2H5U	4-1
GKU2H5UT	4-1
GKUS	4-1
HF4R	7-4
HF5R	7-4
HGC114	2-1
HGC12	2-1
HGC14	2-1
HGC158	2-1
HGC214	2-1
HGC38	2-1
HGC58	2-1

HGC78	2-1
HGO114	2-1
HGO12	2-1
HGO14	2-1
HGO158	2-1
HGO214	2-1
HGO38	2-1
HGO58	2-1
HGO78	2-1
HK10010	2-3
HK3410	2-3
HKDSCB158	1-6
HKSSCB158	1-6
HKTSCB158	1-6
HS400	8-5
HS600	8-5
J	
JPM22	8-13
JPM39	8-13
L	
LDWM04	8-14
M	
MF126	7-3
MF130	7-3
MF130	8-10
MF273	7-3
MF273	8-10
MIS10C	8-11
MIS12C	8-11
MIS4C	8-11

MIS6C	8-11
MIS8C	8-11
MT219H	8-4
MT219MH	8-4
MT3165FP150	8-10
MT35712	7-4
MT35724	7-4
MT387	9-1
MT416	8-12
MT464	5-1
MT465	5-1
MT4651	5-1
MT491	9-1
MT504	9-1
MT537	8-10
MT537174	8-10
MT537252	8-10
MT53740	8-10
MT546120	8-10
MT54612040	8-10
MT546126	8-10
MT54612640	8-10
MT546144	8-10
MT54614440	8-10
MT546150	8-10
MT54615040	8-10
MT546174	8-10
MT54617440	8-10
MT546252	8-10
MT54625240	8-10

MT54696	8-10
MT5469640	8-10
MT547126	8-10
MT54712640	8-10
MT54716040	8-10
MT54718440	8-10
MT651	8-10
MT651144	8-10
MT65114440	8-10
MT651150	8-10
MT65115040	8-10
MT65117440	8-10
MT65125240	8-10
MT6517240	8-10
MT65184	8-10
MT6518440	8-10
MT65196	8-10
MT6519640	8-10
MT653	8-10
MT654126	8-10
MT65472	8-10
MT65496	8-10
MTF1598	6-3
MTF1599	6-3
MTF1637	6-3
N	
NOOXCWB	9-1
P	
P200	8-5
P300	8-5

INDEX

PBPM09	6-1
PBPM09K10	6-1
PC034	7-3
PCC4	8-2
PMA5A	1-4
PMA5B	1-4
PMSL2	8-7
PMSL4	8-7
PMSU2B	8-9
PMSU2B126	8-9
PMSU2B72	8-9
PMSU2B96	8-9
PMSU4B	8-9
PMSU4B126	8-9
PMSU4B48	8-9
PMSU4B63	8-9
PMSU4B72	8-9
PMSU4B96	8-9
R	
RMA100	2-12
RMA200	2-12
RMA300	2-12
RMA400	2-12
RMA500	2-12
RMA600	2-12
RMSM19060	8-12
RMUSBG	6-2
RRUDPM	8-8
RRUDSM	8-8
RRUUT12	6-1

RTPM19060	8-13
RTPM23860	8-13
RTST	8-11
S	
S200	8-4
S300	8-4
S400	8-4
SA38	2-10
SA38300	2-10
SA38500	2-10
SA38P	1-4
SA38S	2-12
SA38S100	2-12
SA38S200	2-12
SA38S300	2-12
SA38S400	2-12
SA38S500	2-12
SAB	8-3
SAB10	8-3
SAB12	8-3
SABU	8-3
SABU10	8-3
SABU12	8-3
SABUT	8-2
SASS	2-11
SASS100	2-11
SASS200	2-11
SASS300	2-11
SASS400	2-11
SASS500	2-11

SAT1515	5-3
SAUGH	2-10
SAUH	2-10
SAUS	2-11
SAUS100	2-11
SAUS200	2-11
SAUS300	2-11
SAUS400	2-11
SAUS500	2-11
SBSTB1515	5-3
SBSTB215	5-3
SC1141	5-5
SC121	5-5
SC122	5-5
SC123	5-5
SC124	5-5
SC125	5-5
SC1271	5-6
SC12F1	5-5
SC12F2	5-5
SC12F3	5-5
SC12F4	5-5
SC1501	5-6
SC1581	5-5
SC1801	5-6
SC2141	5-5
SC2201	5-6
SC371	5-6
SC381	5-5
SC383	5-5

SC389	5-5
SC461	5-6
SC521	5-6
SC581	5-5
SC582	5-5
SC583	5-5
SC584	5-5
SC631	5-6
SC632	5-6
SC771	5-6
SC781	5-5
SC782	5-5
SC783	5-5
SC784	5-5
SC851	5-6
SC901	5-6
SC902	5-6
SCB	5-5
SCP10	8-6
SCRG2136	5-5
SCRG86	5-5
SHU114	2-3
SHU12	2-3
SHU158	2-3
SHU214	2-3
SHU58	2-3
SHU78	2-3
SMU2080	8-7
SSTB2550	6-2
SSTB6080	6-2

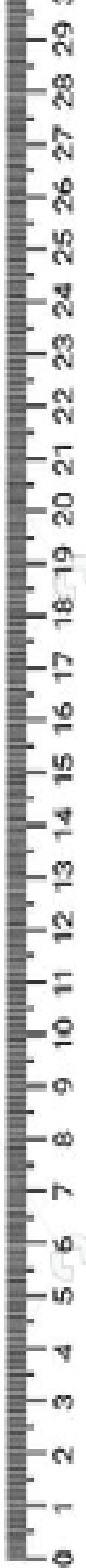
INDEX

SSTBV12	6-2
T	
TAM36	8-13
TPCST28	8-13
TPGUSB	8-12
TRSK12	2-15
TRSK125	2-15
TRSK24	2-15
TRSK245	2-15
TWAG16	1-5
TWAG18	1-5
TWAG27	1-5
TWAGLH100	1-5
TWAGLH25	1-5
TWAGR50	1-5
TWRHDIT	1-5
U	
UA3	2-10
UA3G	2-10
USM2080K1	8-4
V	
VCCST	9-1
W	
W114SHS	2-2
W12SHS	2-2
W158SHS	2-2
W78SHS	2-2
WBBS	7-3
WBBS2	7-3
WBCS243	7-2

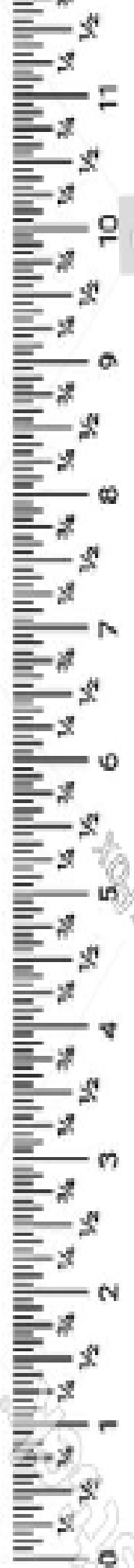
WBCY110	7-2
WBCY210	7-2
WBCY710	7-2
WBK0710B	7-2
WBK0710BHK	7-2
WBK110B	7-1
WBK110B10	7-1
WBK110B15	7-1
WBK110BHK	7-1
WBK110S	7-1
WBK210B	7-1
WBK210B10	7-1
WBK210B15	7-1
WBK210BHK	7-1
WBK210S	7-1
WBLB123	7-2
WBLB123HD	7-2
WBLB243	7-2
WBLB243HD	7-2
WBT123	7-4
WBT243	7-4
WMU24S	8-14
WMU24SHD	8-14
WSKU	5-1
WSSACK	5-3
X	
XA2020	8-2
XA2030	8-2
XAU	8-7
XP197U	8-1

XP2020	8-1
XP2025	8-1
XP2030	8-1
XP2040	8-1
XP2525	8-1
XP2530	8-1
XP3030	8-1
Z	
ZBH4	6-2
ZBH8	6-2

cm/mm



inch



TERMS & CONDITIONS OF SALE

1. Acceptance. Purchase Orders shall be considered final upon acceptance by WANHO MFG, LLC (hereinafter “Supplier”) by issuance of a written order confirmation. The issuance by Purchaser of a Purchase Order to Supplier shall constitute acceptance by Purchaser of these Terms and Conditions which shall supersede all additional or conflicting terms and conditions on Purchaser’s Purchase Order. The contract between Purchaser and Supplier shall consist of Supplier’s written order confirmation and these Terms and Conditions.
2. Pricing. Price quotations and terms shall remain in effect for thirty (30) days from date of issuance. Supplier reserves the right to change published pricing at any time.
3. Payment Terms. Terms of payment shall be Net thirty (30) calendar days from the date of invoice for all Product shipped by Supplier.
4. Finance and Collection Charge. Purchaser agrees to pay a finance charge, at a monthly rate of 2%, on past due invoices where allowed by applicable law. Purchaser agrees to pay Supplier all costs of collection including but not limited to reasonable attorneys’ fees, collection fees and court costs incurred by Supplier to collect properly due payments.
5. Taxes. Purchaser is responsible for all sales, use, and similar taxes, and agrees to reimburse Supplier for any such charges paid on Purchaser’s behalf.
6. Credit Limits. Credit limits shall be determined and modified at the sole discretion of the Supplier. In the event that Purchaser is delinquent in payment, Supplier may suspend any shipment or delivery or refuse to perform any work until all past due amounts, including finance charges, have been paid in full.
7. Shipping Terms. Shipping terms for shipments within the United States are F.O.B. Supplier’s Point of Shipment. Shipping terms for international shipments are EXW Supplier’s Point of Shipment (Incoterms 2000).
8. Title and Risk of Loss. Title to and risk of loss and damage to the Products shall pass to Purchaser immediately upon delivery of the Products to a common carrier, or to an employee or other agent of Purchaser, at Supplier’s facility.
9. Inspection. Purchaser or its designated representative shall inspect all Products within seven (7) calendar days after delivery of Products (hereinafter “Inspection Period”) and Purchaser shall notify Supplier of any defects, shortages, over shipments, or nonconformance in any of the Products. Any Products not rejected by Purchaser within such period shall be deemed to have been accepted by Purchaser.
10. Shortages / Over shipments. In the event that Supplier delivers less than the scheduled requirement and Supplier is notified of such shortage within the Inspection Period, Supplier shall correct such shortage within a commercially reasonable period of time after receipt of written notice from Purchaser or as otherwise agreed by the parties. If Supplier delivers more than the quantity ordered, Purchaser may return any excess Product at Supplier’s expense or retain such excess as mutually agreed by the parties.
11. Shipping Damage. All claims for transportation damage shall be filed and processed by the Purchaser.
12. Mode of Shipment. In the event that Purchaser specifies in a Purchaser Order the shipping carrier, type of service, and payment method (collectively hereinafter “Mode of Shipment”), freight costs shall be charged in a manner consistent with the Purchaser Order. In the event that Purchaser has not specified a Mode of Shipment on a Purchase Order, at the sole discretion of Supplier, such charges may be prepaid by Supplier and added to Supplier’s invoice to Purchaser.
13. Purchase Orders. Purchaser shall order Products from Supplier by issuing a Purchase Order (hereinafter “Purchase Order(s)”). All Purchase Orders must be issued in writing and signed by Purchaser’s authorized representative. Any and all pre-printed terms and conditions on Purchaser’s forms and documents are null and void and hereby expressly rejected, and are superseded by the terms and conditions of this Agreement.
14. Cancellation. All requests for cancellation or changes of Purchase Orders must be submitted in writing by Purchaser. In the event that Purchaser cancels or changes a Purchase Order, Purchaser agrees to pay a restocking fee of not less than 35% for standard Products and 100% for custom Products of the dollar value of the Purchase Order line item(s) cancelled.
15. Returns / Shipping Carrier Damage and Count Discrepancies.
 - (a) Purchaser may submit a request for return of Suspected Defective Products. Supplier shall not consider suspected defective product return requests received later than ninety (90) calendar days after shipment of Products, or with any of the required information missing from the request. All requests by Purchaser to return Products must be submitted in writing to Supplier and must contain the packing slip number, lot codes from product labels, and in the case of carrier damage or count discrepancies, a picture of the product on original pallet from manifest clearly showing the issue. Carrier damage and count discrepancies received later than (7) calendar days after receipt of Products, or with any of the required information missing from the request shall not be considered. Any carrier damaged products suffered under Purchasers’ carrier account must be addressed by Purchaser with their carrier for resolution and reimbursement.
 - (b) Supplier shall evaluate the Return Request in a timely manner and may request a sampling be sent. Purchaser is required to reference the RMA number on all documentation and clearly mark product(s) with the RMA number. Supplier may, at its sole discretion, issue Purchaser written authorization to ship Product back to Supplier (hereinafter “Return Material Authorization”). The issuance of a Return Material Authorization is not acceptance of the returned Product, merely authorization to return the Product for inspection. In the event that Supplier deems the request is not made in compliance with the terms of this Agreement, Supplier shall notify Purchaser in writing that the request for return has been denied.

TERMS & CONDITIONS OF SALE (cont.)

(b) Supplier shall evaluate the Return Request in a timely manner and may request a sampling be sent. Purchaser is required to reference the RMA number on all documentation and clearly mark product(s) with the RMA number. Supplier may, at its sole discretion, issue Purchaser written authorization to ship Product back to Supplier (hereinafter "Return Material Authorization"). The issuance of a Return Material Authorization is not acceptance of the returned Product, merely authorization to return the Product for inspection. In the event that Supplier deems the request is not made in compliance with the terms of this Agreement, Supplier shall notify Purchaser in writing that the request for return has been denied.

c) Upon receipt of such Products, Supplier shall inspect the Products and, at its sole discretion, accept or deny the return of such Products. In the event that Supplier accepts the return of Products from Purchaser, Supplier shall issue a credit to Purchaser in the amount of the original invoice amount for the Products. In the event that Supplier denies the return of Products from Purchaser, Supplier shall ship Products back to Purchaser at Purchaser's sole expense. All shipping costs for the return of goods are the responsibility of the Purchaser. In the event that, upon inspection, Supplier determines that the Products are subject to the terms of Supplier's warranty or that the Products were shipped by Supplier to Purchaser due to an error by Supplier, credit to Purchaser will be issued as aforementioned above.

16. Specifications. All Products shall be manufactured to meet Supplier's current manufacturing and engineering standards. All products shall be packaged and labeled in accordance with Supplier's standard commercial practices. Supplier reserves the right to change or modify Product at any time.

17. Warranty. Supplier warrants that, at time of shipment, the Products furnished by Supplier are free from defects in material and workmanship. Supplier's obligation under this warranty is limited to repair and replacement of any defective Product within two (2) years from the date of shipment to the first Purchaser. Supplier shall have the sole discretion as to which of these remedies it shall provide. These warranties shall not apply to any Product which has been subjected to misuse, neglect, alteration, accidental damage, damage or defects introduced after shipment, defects during storage or installation, defects attributable to improper installation or use for purposes other than the Product was intended, and any other defects out of the reasonable control of Supplier. Seller makes no warranties, guarantees, covenants or representations other than those expressly set out in this Warranty. The warranties and remedies provided herein are Purchaser's sole and exclusive remedies and are provided expressly in lieu of all other warranties, whether express, implied, or arising by statute or otherwise in law or from a course of dealing or usage of trade, including but not limited to, warranties of merchantability or fitness for a particular purpose. Purchaser agrees that Supplier's liability under this Agreement, and any Purchase Order issued pursuant to this Agreement, shall never exceed the purchase price of the line item upon which liability is based. Under no circumstances shall Supplier be liable for consequential, incidental, special, direct or indirect damages including but not limited to labor costs, installation costs, inconvenience, cost of replacement goods, loss of revenue or profits, or other costs of any nature as a result of the use of Products manufactured by Supplier. All warranty claims are subject to Supplier's standard return procedure as set forth in Supplier's Terms and Conditions Agreement.

17.1 Disclaimer. Except for the Warranty set forth in Section 17 above, Supplier makes no Warranty whatsoever with the respect to the goods, including any (A) Warranty of merchantability; (B) Warranty of fitness for a particular purpose; (C) Warranty of title; or (D) Warranty against infringement of intellectual property rights of a third party; whether express or implied by law, course of dealing, course of performance, usage of trade, or otherwise.

17.2 No Consequential or Indirect Damages. In no event shall Supplier or any of its representatives be liable to Purchaser or any third party for consequential, indirect, incidental, special, exemplary, punitive or enhanced damages, lost profits or revenues, or diminution in value, arising out of, relating to, or in connection with the use or misuse of its products and or services. Regardless of (A) whether such damages were foreseeable, (B) whether or not Supplier or Purchaser was advised of the possibility of such damages and (C) the legal or equitable theory (contract, tort, or otherwise) upon which the claim is based.

18. Force Majuro. Supplier shall not be liable for failure to perform any of its obligations under this Agreement to the extent such failure is caused by fire; flood; explosion; war; riot; embargo; labor disputes; compliance with any laws, regulations, orders, acts or requirements from the government, civil or military authorities; acts of God or the public enemy; or any act or event of any nature beyond Supplier's reasonable control. In no event shall Supplier be liable to Purchaser for any special, incidental or consequential damages as a result of delay in performance or failure to perform hereunder.

19. Confidentiality. It is understood and agreed to that the recipient of this correspondence identified with WANHO Manufacturing, LLC and the disclosed confidential information is receiving certain information that is and must be kept confidential. To ensure the protection of such information, and to preserve any confidentiality necessary under patent, Copyright and/or Trade Law secrets, it is agreed that: a) confidential information to be disclosed as and includes: inventions, product descriptions, technical and business information related to pricing, proprietary ideas, drawings, illustrations, existing and/or contemplated products and/or services, R&D, customer/client lists, marketing and current or future business plans disclosed. b) The recipient agrees not to disclose the confidential information obtained from WANHO Manufacturing, LLC to anyone unless agreed to via in writing by WANHO Manufacturing, LLC or required to do so by U.S. Law. Wherefore, the recipient acknowledges they have read and understand this information clause and voluntarily accepts the duties and obligations set forth herein



Building Sustainable Innovation



 A FIMO Group Company

Global Headquarters

Via Belvedere 11
20861 BRUGHERIO
Tel. +39 03 92 899 311

US Headquarters

154 Knotter Drive
Cheshire, CT 06410
Tel. +1.203.759.3744

Visit us at: www.fimoworld.com

Email us at: customersupportUSA@fimoworld.com

Tel. +1.203.759.3744

