

# PRODUCT REFERENCE SHEET

©2021

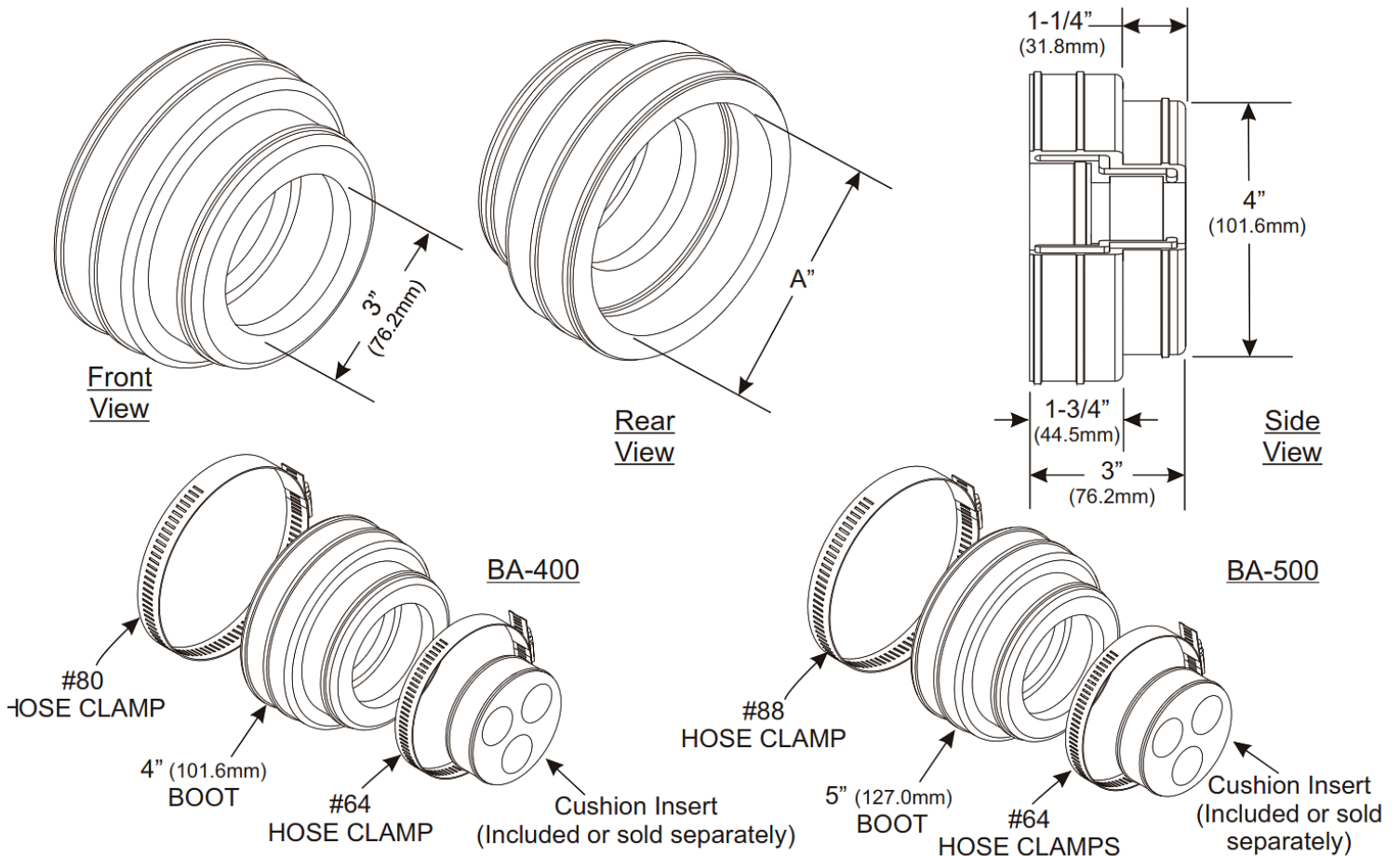
## Feed-Thru Boot Assemblies for Coaxial Cable Applications

1048 PR P (Page 1 of 2)

### PRODUCT DESCRIPTION

Feed-thru Boot Assemblies feature a one-piece design which dramatically reduces installation time and difficulty. The split one-piece style simplifies mounting by freeing the installer hands in order to position the coax runs, insert the cushion and tighten the round member adapter clamps without having to hold two separate pieces of the boot in place. Boot assemblies are designed to be fitted onto EP series Entry Panels in wall-roof feed-thru applications. The durable boot is unaffected by ozone, sunlight, aging, or hot and cold extremities. It is designed to meet IP66, ASTM D 2000 and SAE J 200 specifications. Each boot assembly includes boot and two round member adapter clamps. SC-series cushion inserts fit inside the boot assembly to hold the coax in place. The cushion inserts maybe ordered with the boot or separately to accommodate specific application requirements. See chart below and on second page.

### TYPICAL APPLICATIONS



### SPECIFICATIONS

FEED-THRU BOOT ASSEMBLIES					
Part Number	Description	Rubber Thickness	"A"	Wt. Lbs. (Wt. Kg)	Kit Qty.
BA-400	4" (101.6mm) Boot Assembly (Cushion not included)	1/2" (12.7mm)	4" (101.6mm)	1.3 (0.6)	Each
BA-500	5" (127mm) Boot Assembly (Cushion not included)	1/2" (12.7mm)	5" (127mm)	1.6 (0.7)	Each

\*NOTE: For boot assemblies with cushions included, see page 2.

# SPECIFICATIONS

FEED-THRU BOOT ASSEMBLIES			
Part Numbers		Nominal	No. of
4" (101.6mm) Boot	5" (127mm) Boot	Size	Holes
Corrugated Coaxial Cable			
BA-400	BA-500	N/A	0
BA-BA	BA-BB	N/A	0
BA-38-1A	BA-38-1B	3/8" (11.3mm)	1
BA-38-2A	BA-38-2B	3/8" (11.3mm)	2
BA-38-3A	BA-38-3B	3/8" (11.3mm)	3
BA-38-4A	BA-38-4B	3/8" (11.3mm)	4
BA-38-5A	BA-38-5B	3/8" (11.3mm)	5
BA-38-6A	BA-38-6B	3/8" (11.3mm)	6
BA-38-9A	BA-38-9B	3/8" (11.3mm)	9
BA-12-1A	BA-12-1B	1/2" (12.7mm)	1
BA-12-2A	BA-12-2B	1/2" (12.7mm)	2
BA-12-3A	BA-12-3B	1/2" (12.7mm)	3
BA-12-4A	BA-12-4B	1/2" (12.7mm)	4
BA-12-5A	BA-12-5B	1/2" (12.7mm)	5
BA-12-6A	BA-12-6B	1/2" (12.7mm)	6
BA-12F-1A	BA-12F-1B	1/2" (12.7mm)	1
BA-12F-2A	BA-12F-2B	1/2" (12.7mm)	2
BA-12F-3A	BA-12F-3B	1/2" (12.7mm)	3
BA-12F-4A	BA-12F-4B	1/2" (12.7mm)	4
BA-12F-5A	BA-12F-5B	1/2" (12.7mm)	5
BA-12F-6A	BA-12F-6B	1/2" (12.7mm)	6
BA-58-1A	BA-58-1B	5/8" (15.9mm)	1
BA-58-2A	BA-58-2B	5/8" (15.9mm)	2
BA-58-3A	BA-58-3B	5/8" (15.9mm)	3
BA-58-4A	BA-58-4B	5/8" (15.9mm)	4
BA-78-1A	BA-78-1B	7/8" (22.2mm)	1
BA-78-2A	BA-78-2B	7/8" (22.2mm)	2
BA-78-3A	BA-78-3B	7/8" (22.2mm)	3
BA-78-4A	BA-78-4B	7/8" (22.2mm)	4
BA-114-1A	BA-114-1B	1-1/4" (31.8mm)	1
BA-158-1A	BA-158-1B	1-5/8" (41.3mm)	1
BA-214-1A	BA-214-1B	2-1/4" (57.2mm)	1
Part Numbers		Elliptical Size	No. of
4" (101.6mm) Boot	5" (127mm) Boot	Type	Holes
Elliptical Waveguide			
BA-37-1A	BA-37-1B	WE37	1
BA-46-1A	BA-46-1B	WE46	1
BA-52-1A	BA-52-1B	EW52 & WE61	1
BA-63-1A	BA-63-1B	EW63 & WE65	1
BA-70-1A	BA-70-1B	E70	1
BA-77-1A	BA-77-1B	EW77 & WE78	1
BA-85-1A	BA-85-1B	EW85 & WE108	1
BA-90-1A	BA-90-1B	EW90	1
BA-127-1A	BA-127-1B	EW127 & WE130	1
BA-150-1A	BA-150-1B	WE150	1
BA-180-1A	BA-180-1B	EW180 & WE191	1
BA-220-1A	BA-220-1B	EW220	1
Cell Reach® Cable			
BA-78CR-1A		7/8" (22.2mm)	1