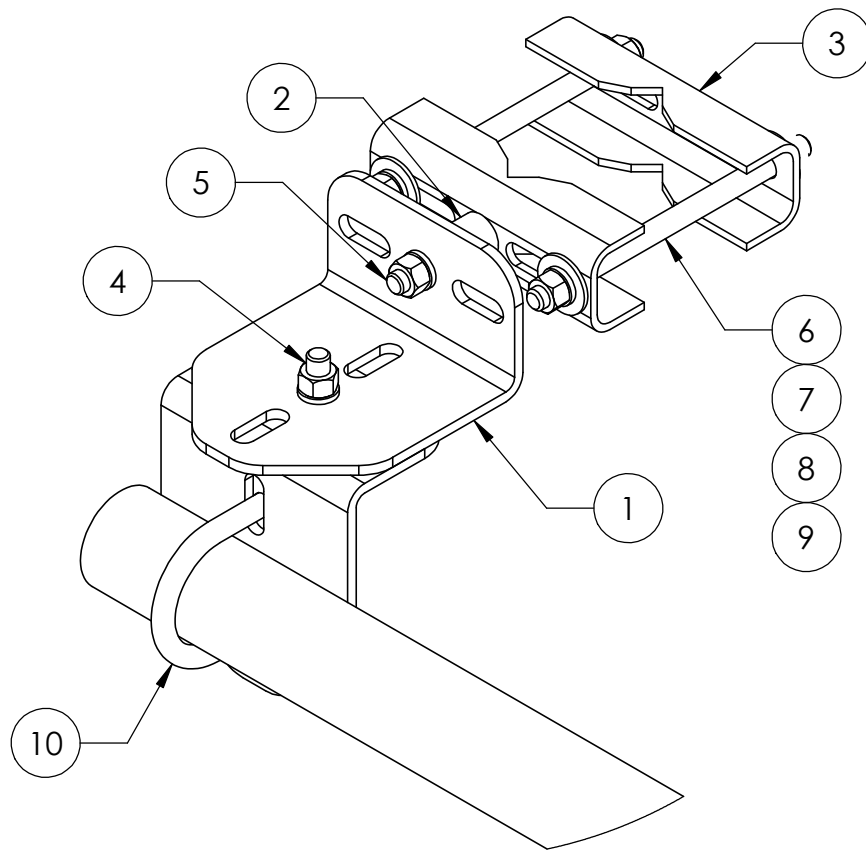


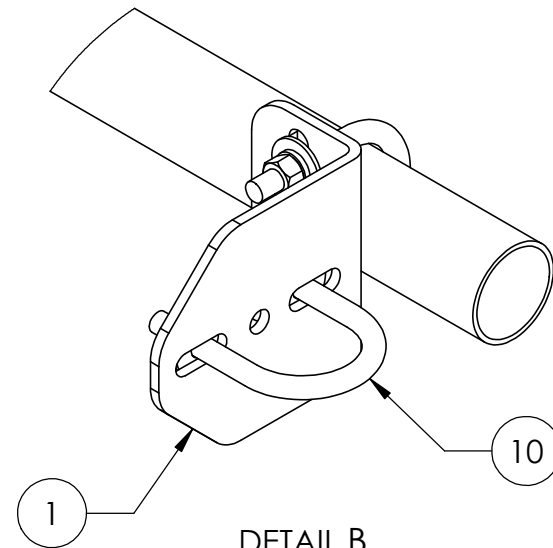
ITEM	PART NO.	DESCRIPTION	WEIGHT	QTY.
1	XAU01	ANGLE, CROSSOVER, 1.9-3.5" X 1.9-3.5" OD	2.98 LBS	3
2	OS15034	3/4" X 1-1/2" OFFSET COLLAR	0.14 LBS	1
3	SAB.01	FORMED CLAMP	1.36 LBS	2
4	GB0414A	1/2" X 1-1/2" GALV BOLT KIT (A325)	0.13 LBS	1
5	GB0426A	1/2" X 2-3/4" GALV BOLT KIT (A325)	0.20 LBS	1
6	GD04800	1/2"-13 UNC x 8" Galv Threaded Rod (A307)	0.44 LBS	2
7	GWFO4	1/2" GALV USS FLAT WASHER	0.04 LBS	4
8	GWL04	1/2" GALV LOCK WASHER	0.01 LBS	4
9	GN04	1/2-13 UNC GALV HEX NUT (Gr.5)	0.04 LBS	4
10	GUB4240	1/2"-13 UNC X 2-1/2" X 4" GALV U-BOLT	0.57 LBS	3
11	PIPE	Ø2.375" OD PIPE (SEE TABLE)	-	-

REVISIONS				
REV.	ZONE	DESCRIPTION	BY	DATE
A		INITIAL RELEASE	AW	12/08/04
B		UPDATED BOM	AW	01/26/05
C		UPDATED SERIES TABLE	AW	10/13/05
D		ADD TO LOCK WASHER QTY	ACG	08/17/06
E		UPDATE PIPE FOR SAB12	ACG	10/27/06
F		UPDATE SERIES TABLE	MSM	06/21/10
G		UPDATE PIPE, TOLERANCES & TABLE	MSM	12/06/12
H		CORRECT BOLTS TO MATCH SAP BOM	MSM	03/01/17
J		REPLACE XA2020.01 WITH XAU01	ACG	03/17/22

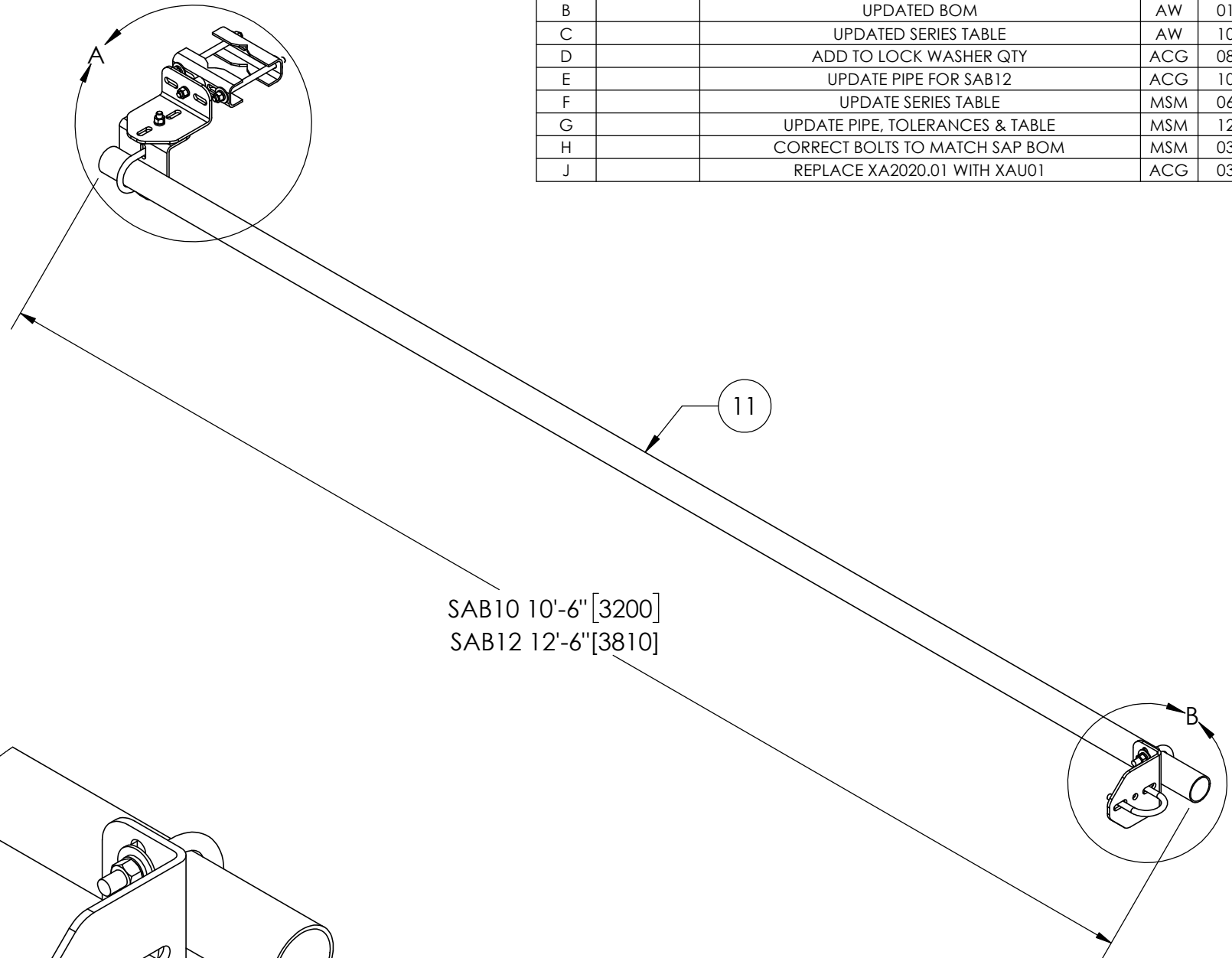
SAB SERIES TABLE					
PART NUMBER	DESCRIPTION	PIPE	PIPE DESCRIPTION	QTY	WEIGHT
SAB	STIFF ARM KIT (NO PIPE)	N/A	N/A	0	13.9 LBS
SAB10	STIFF ARM KIT, 10'	MT537	2-3/8" O.D. X 126" PIPE	1	46.2 LBS
SAB12	STIFF ARM KIT, 12'	MT651150	2-3/8" O.D. X 150" PIPE	1	52.1 LBS



DETAIL A
SCALE 1 : 4



DETAIL B
SCALE 1 : 4



NOTES:
1. ALL METRIC DIMENSIONS ARE IN BRACKETS.

These drawings and specifications are proprietary property and may be used only for the specific purpose authorized in writing.

ALL DIMENSIONS ARE IN INCHES U.O.S.
TOLERANCES UNLESS OTHERWISE SPECIFIED:
.X = ± .06 ANGLES ±2°
.XX = ± .03 FRACTIONS ±1/32
.XXX = ± .010
REMOVE BURRS AND BREAK EDGES .005

DO NOT SCALE THIS PRINT

DRAWN BY: ACG	SHEET: 1 of 1
CHECKED BY: MKV	SCALE: NTS
DATE: 03/17/22	MATERIAL: ASTM A36 & A500
REVISION: J	FINISH: ASTM A123
	WEIGHT

PART NUMBER: SAB SERIES
DESCRIPTION: STIFF ARM KIT
DRAWING TYPE: ASSEMBLY DRAWING