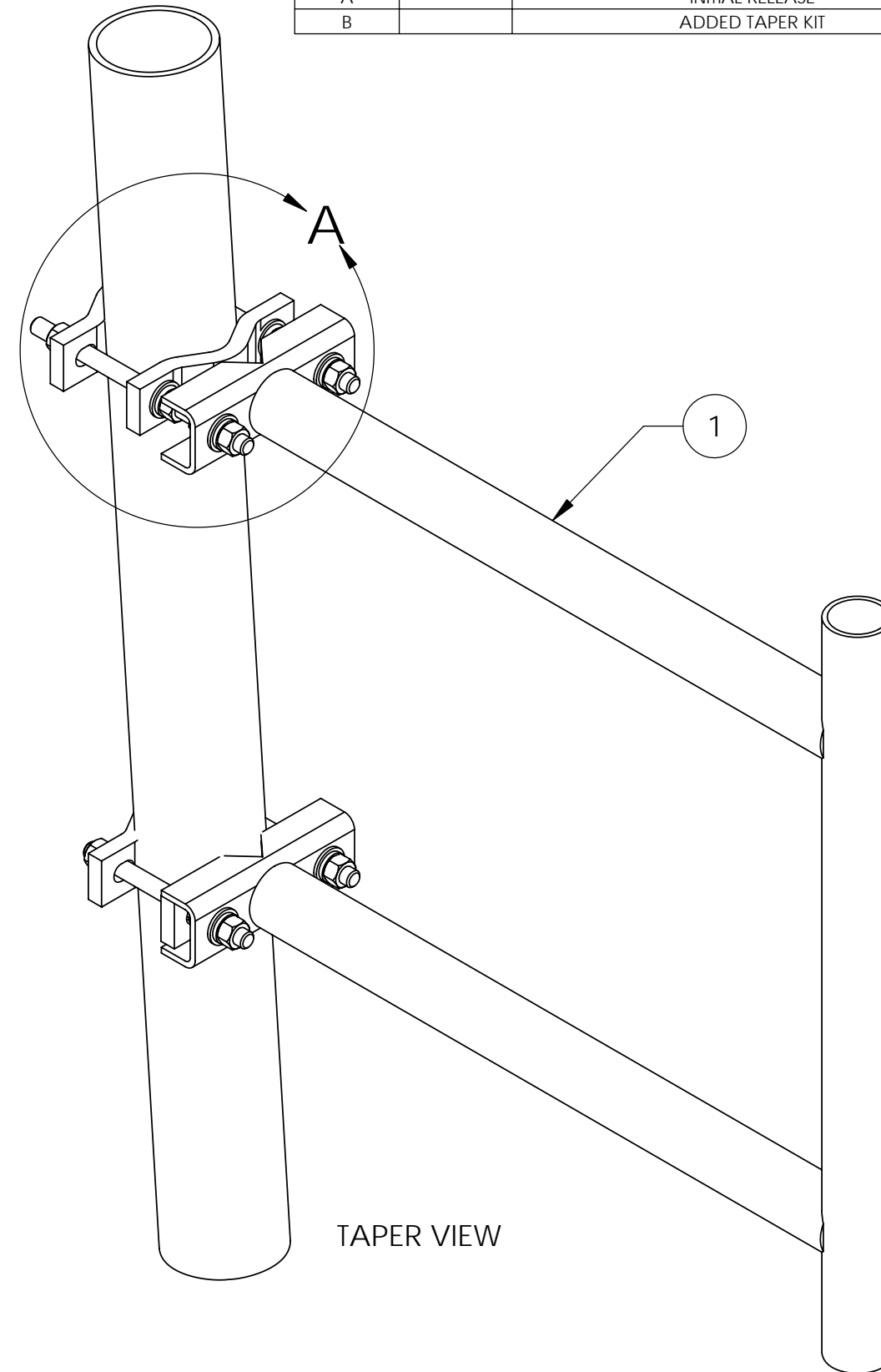
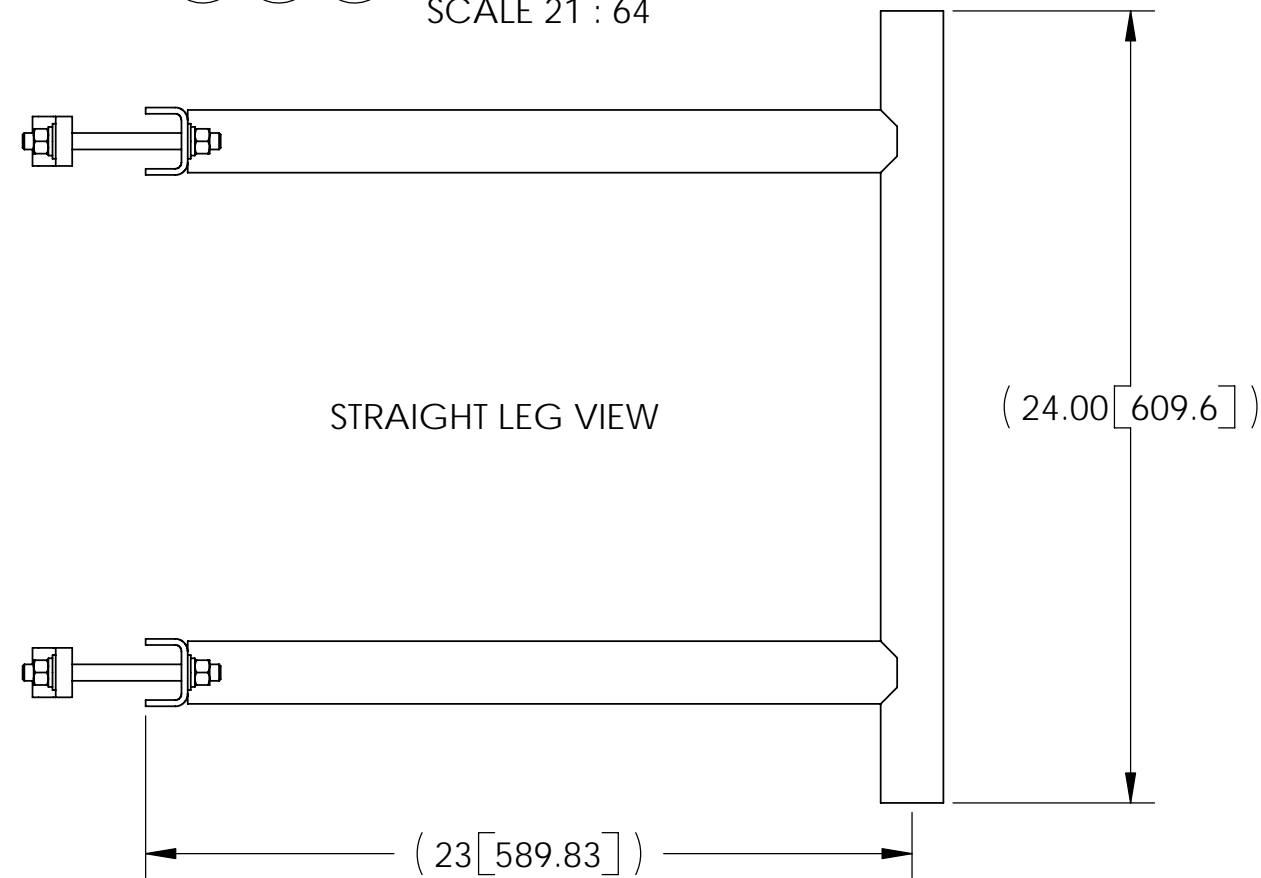
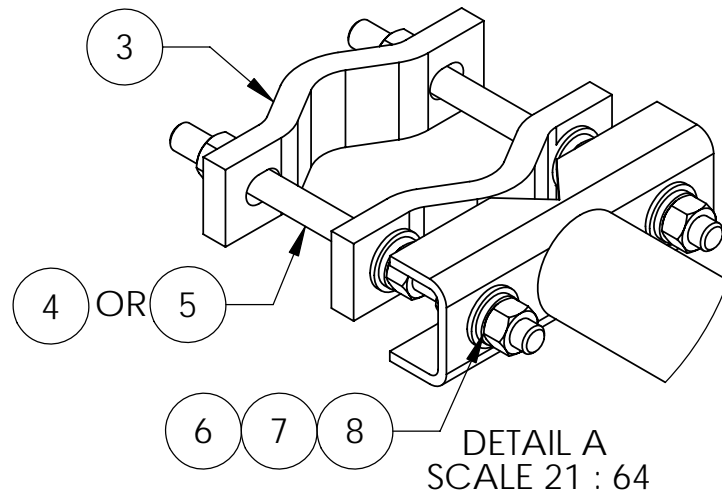


ITEM	PART NO.	DESCRIPTION	QTY.	WEIGHT
1	S200.01	24" STANDOFF WELDMENT	1	17.33 LBS
2	SH01	HARDWARE KIT (ITEMS 3-8)	1	
3	SCP10	SMALL DISH CLAMP HALF	4	1.20 LBS
4	MT3796	1/2" X 6" GALV THREADED ROD	4	0.33 LBS
5	MT3798	1/2" X 8" GALV THREADED ROD	2	0.44 LBS
6	GWF04A	1/2" GALV FLAT WASHER (A325)	14	0.02 LBS
7	GWL04	1/2" GALV LOCK WASHER	14	0.01 LBS
8	GN04A	1/2" GALV HEX NUT (A325)	14	0.14 LBS

REVISIONS				
REV.	ZONE	DESCRIPTION	BY	DATE
A		INITIAL RELEASE	ACG	04/05/05
B		ADDED TAPER KIT	ACG	08/18/06



NOTES:

1. FITS  $\phi 1\frac{1}{2}$ " O.D. TO  $\phi 3\frac{1}{2}$ " O.D. ROUND TOWER LEGS.
2. ADDITIONAL CLAMP SETS THAT ADAPT TO LARGER ROUND LEGS, ANGLE LEGS, OR TAPERED MEMBERS MAY BE PURCHASED SEPARATELY.

These drawings and specifications are proprietary property and may be used only for the specific purpose authorized in writing.  ALL DIMENSIONS ARE IN INCHES U.O.S. TOLERANCES UNLESS OTHERWISE SPECIFIED: .X = ± .06      ANGLES      ±2° .XX = ± .03      FRACTIONS      ±1/32 .XXX = ± .010  REMOVE BURRS AND BREAK EDGES .005  DO NOT SCALE THIS PRINT	DRAWN BY: ACG	SHEET: 1 of 1	PART NUMBER: <b>S200</b>
	CHECKED BY: TP	SCALE: NTS	DESCRIPTION: 24" STAND-OFF BRACKET
	DATE: 04/05/05	MATERIAL: ASTM A36 & A53	DRAWING TYPE: ASSEMBLY DRAWING
	REVISION: <b>B</b>	FINISH: GALV A123	WEIGHT: 49.34 LBS