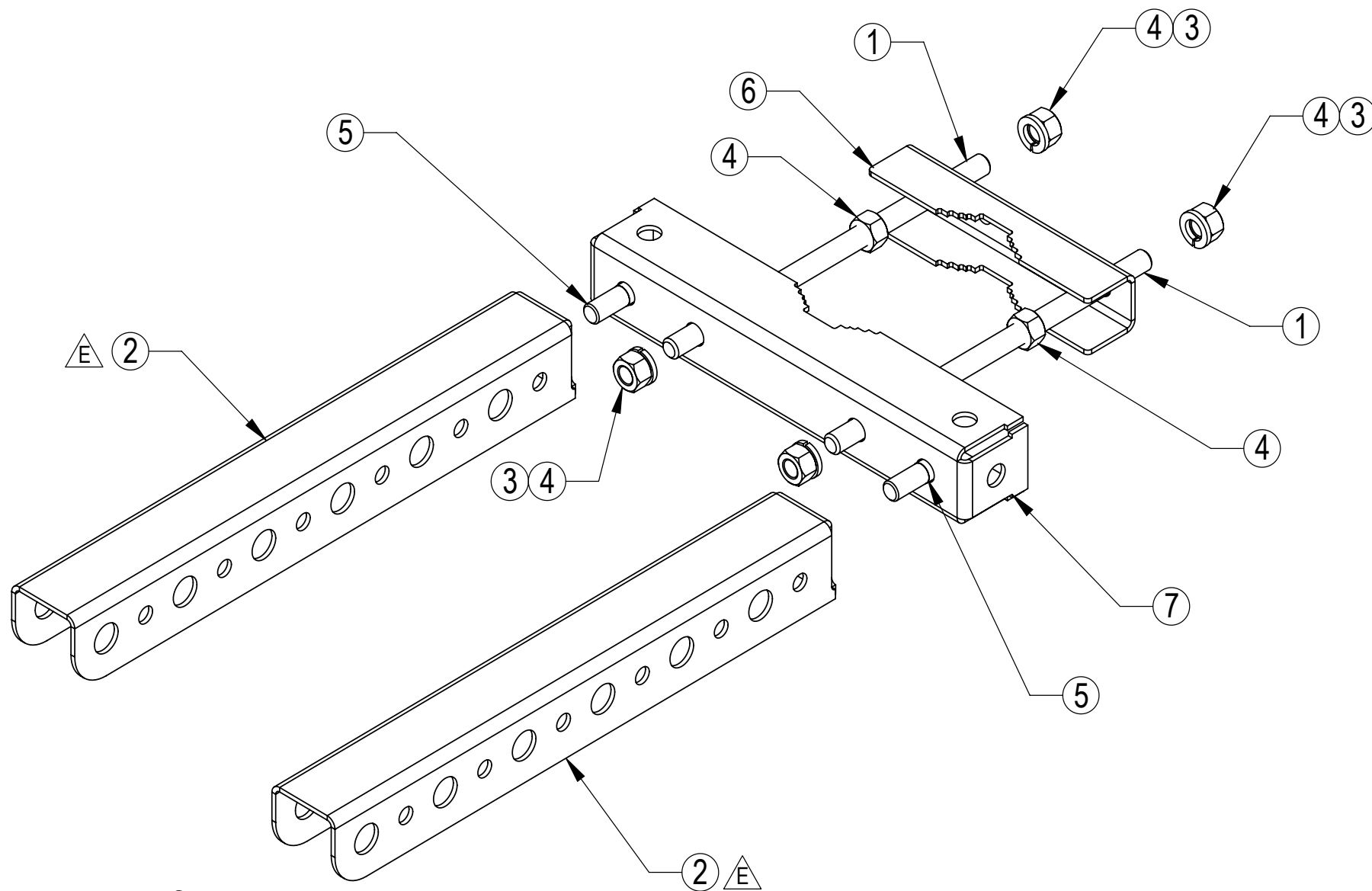


NOTES:

- 1.0 GENERAL
- 1.1 ALL METRIC DIMENSIONS ARE IN BRACKETS
- 2.0 DESIGN NOTES
- 2.1 TORQUE TO 40 IN-LBS FPR THREADED ROD
- 2.2 TORQUE TO 75 FT-LBS FOR BOLTS
- 3.0 MANUFACTURING/SPECIAL REQUIRMENTS
- 4.0 TEST
- 5.0 PACKAGING

REVISIONS					
REV.	ECN	ZONE	DESCRIPTION	BY	DATE
E			ACSD2401 WAS SSTB02	ACG	03/25/22



PART OF ITEM 5
BOLT KIT GB04125

PART OF ITEM 5
BOLT KIT GB04125

ITEM	PART NO.	DESCRIPTION	QTY.	WEIGHT	NOTE NO.
1	MT37910	1/2" X 10" GALV THREADED ROD	2	0.55 LBS	
2	ACSD2401	WELDED SNAP-IN HANGER ARM	2	2.82 LBS	
3	GWL04	1/2" GALV LOCK WASHER	4	0.01 LBS	
4	GN04	1/2" GALV HEX NUT	6	0.04 LBS	
5	GB04125	1/2" X 1-1/4" GALV BOLT KIT	2	0.12 LBS	
6	MTC374303	CLAMP, BACK, ACS-D24, 11 GA, 1.5X1.5X7	1	0.86 LBS	
7	MTC374304	CLAMP, FRONT, ACS-D24, 11 GA, 2X2X12	1	2.24 LBS	

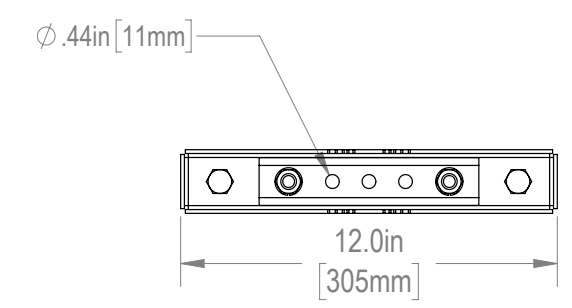
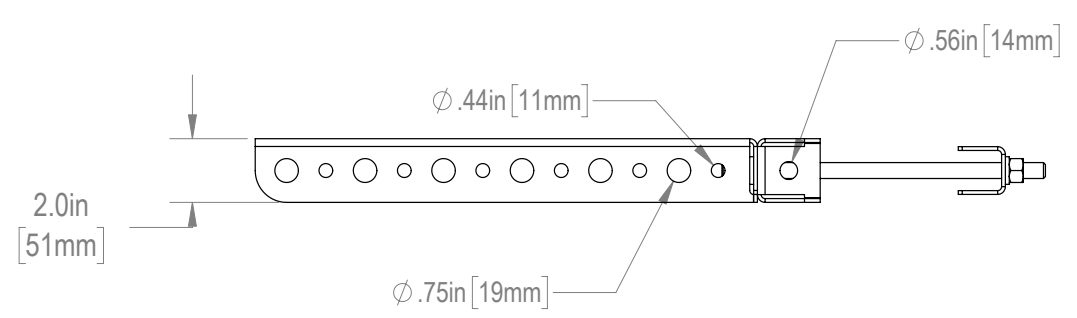
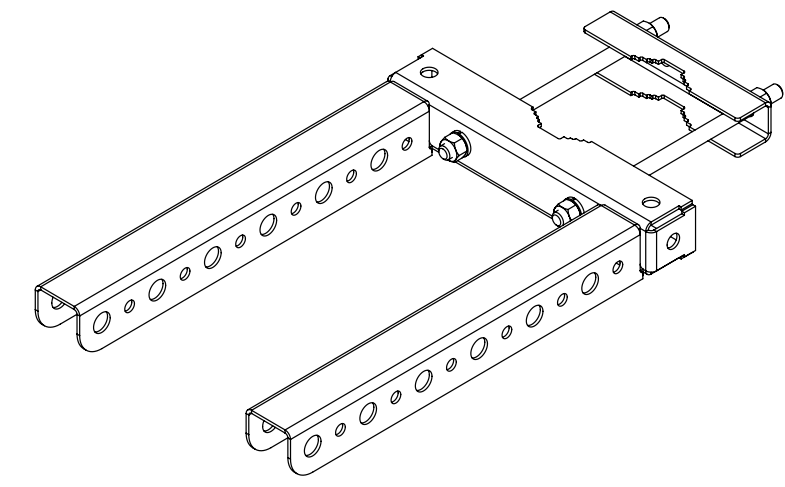
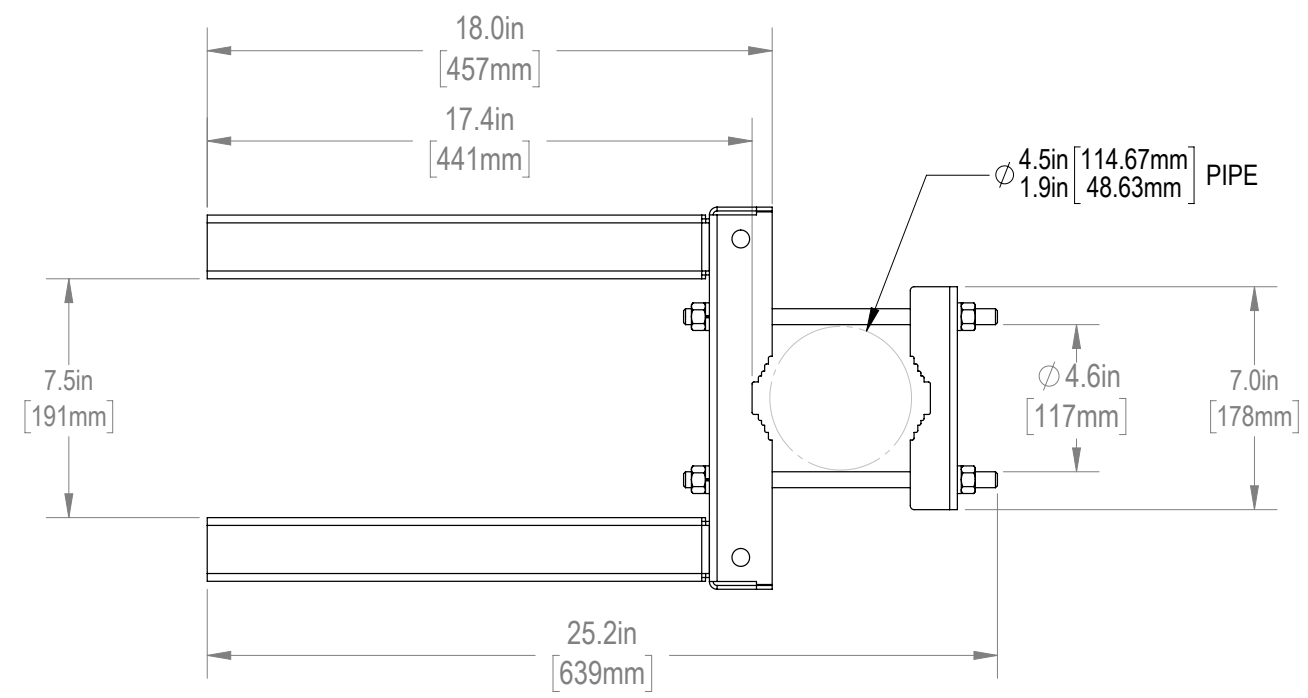
These drawings and specifications are proprietary property and may be used only for the specific purpose authorized in writing.

ALL DIMENSIONS ARE IN INCHES U.O.S.
TOLERANCES UNLESS OTHERWISE SPECIFIED:
.X = ± .06 ANGLES ±2°
.XX = ± .03 FRACTIONS ±1/32
.XXX = ± .010

REMOVE BURRS AND BREAK EDGES .005
DO NOT SCALE THIS PRINT

DRAWN BY: ACG	SHEET: 1 of 2	PART NUMBER: ACSD24
CHECKED BY: MKV	SCALE: NTS	DESCRIPTION: DUAL LEG CABLE SUPPORT BRKT
DATE: 03/25/22	MATERIAL: ASTM A1011 Gr.36	DRAWING TYPE: ASSEMBLY DRAWING
REVISION: E	FINISH: ASTM A123	
	WEIGHT: 10.5 LBS	

REVISIONS					
REV.	ECN	ZONE	DESCRIPTION	BY	DATE
E			ACSD2401 WAS SSB02	ACG	03/25/22



These drawings and specifications are proprietary property and may be used only for the specific purpose authorized in writing.

ALL DIMENSIONS ARE IN INCHES U.O.S.
TOLERANCES UNLESS OTHERWISE SPECIFIED:
.X = ± .06 ANGLES ±2°
.XX = ± .03 FRACTIONS ±1/32
.XXX = ± .010

REMOVE BURRS AND BREAK EDGES .005

DO NOT SCALE THIS PRINT

DRAWN BY: ACG	SHEET: 2 of 2	PART NUMBER: ACSD24
CHECKED BY: MKV	SCALE: NTS	DESCRIPTION: DUAL LEG CABLE SUPPORT BRKT
DATE: 03/25/22	MATERIAL: ASTM A1011 Gr.36	DRAWING TYPE: ASSEMBLY DRAWING
REVISION: E	FINISH: ASTM A123	
	WEIGHT: 10.5 LBS	
