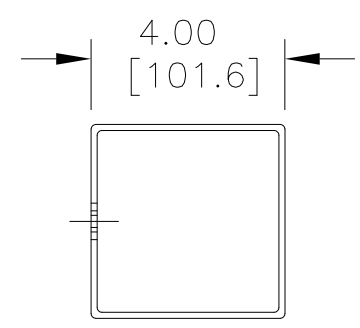
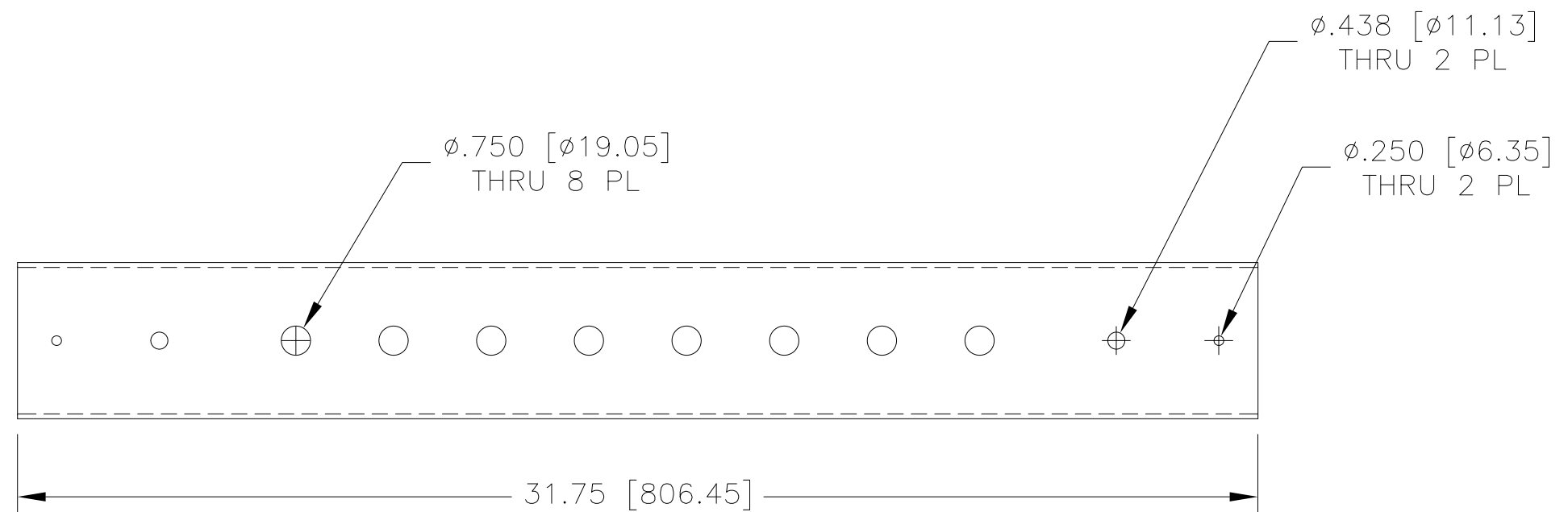
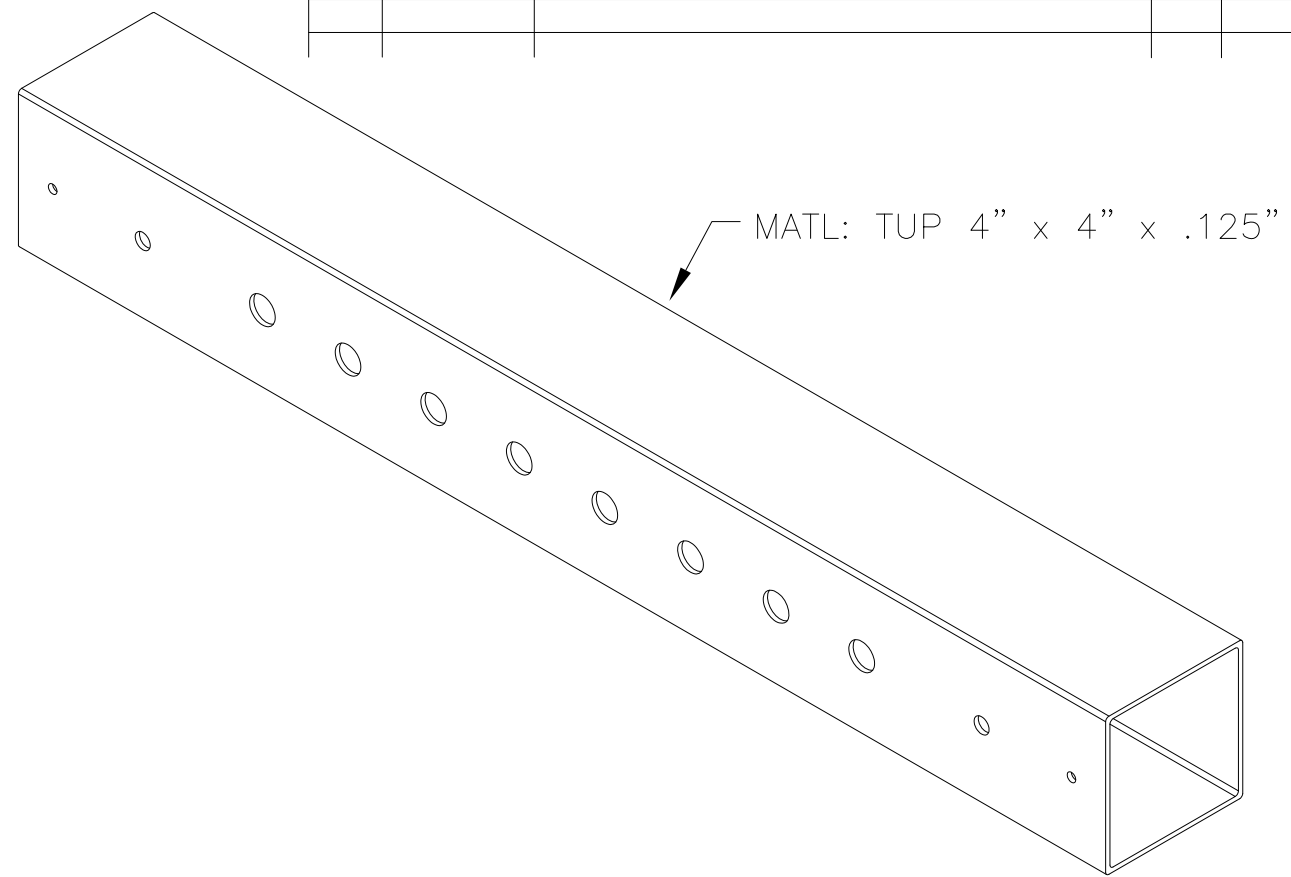
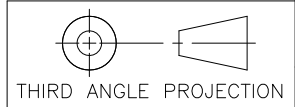


REVISIONS				
REV.	ECO	DESCRIPTION	BY	DATE
A	MTW	INITIAL RELEASE	ACG	03/22/11



NOTES:
1. ALL METRIC DIMENSIONS ARE IN BRACKETS.



THIS DOCUMENT CONTAINS PROPRIETARY DATA NO DISCLOSURE, REPRODUCTION, OR USE OF ANY PART THEREOF MAY BE MADE EXCEPT BY WRITTEN PERMISSION. ALL DIMENSIONS ARE IN INCHES U.O.S. TOLERANCES UNLESS OTHERWISE SPECIFIED: .X = ±.06 ANGLES ±2' .XX = ±.03 FRACTIONS ±1/32 .XXX = ±.010 REMOVE BURRS AND BREAK EDGES .005 DO NOT SCALE THIS PRINT	DRAWN BY: ACG	DATE: 03/22/11	PART NUMBER: MTFI599
	CHECKED BY: CC	SHEET: 1 OF 1	DESCRIPTION: PVC ROOF SLEEPER FOR 8 RUNS OF COAX
	REVISION: A	SCALE: NTS	Drawing Type: Assembly Drawing
	MATERIAL: PVC PLASTIC	FINISH: NONE	