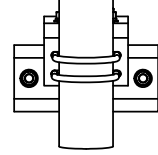
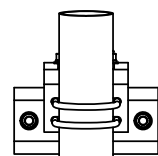
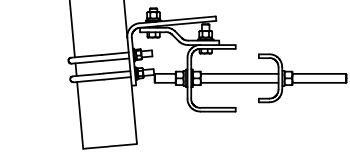
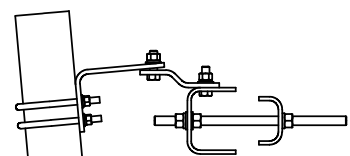
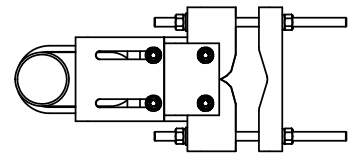
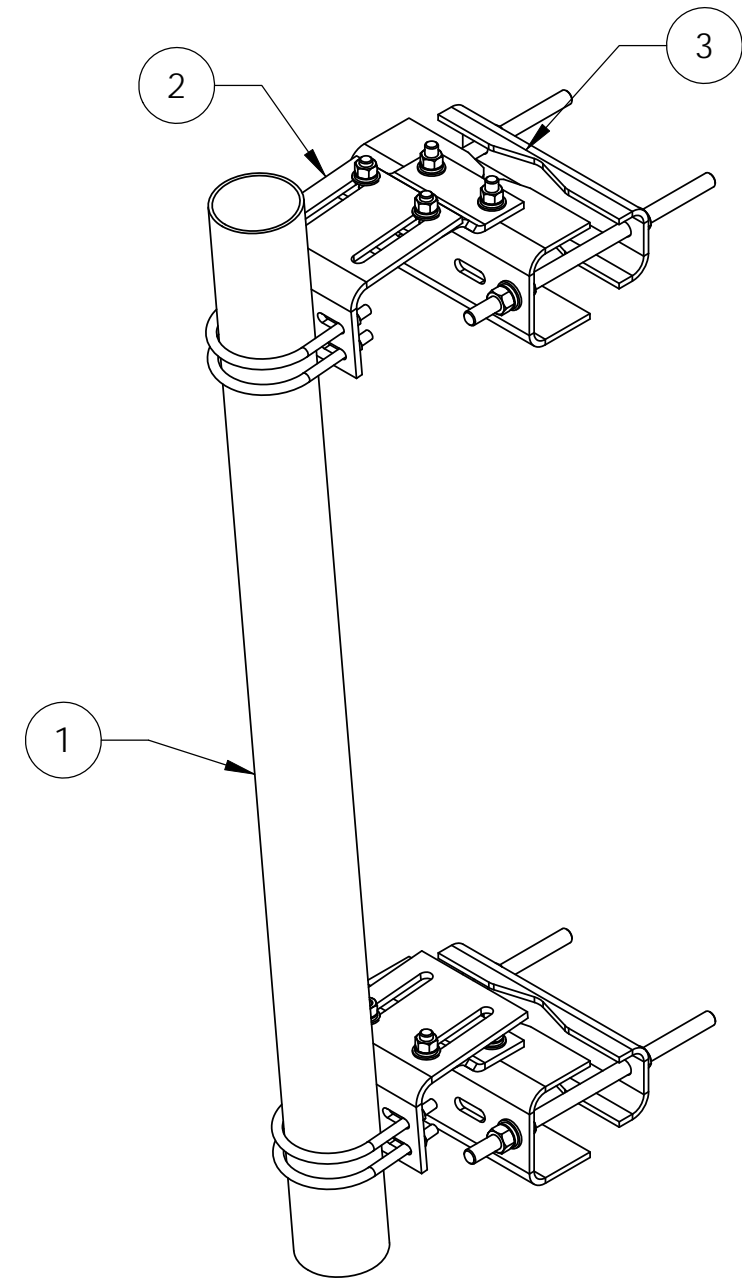


ITEM	PART NO.	DESCRIPTION	QTY.	WEIGHT
1	MT-XXX	PLAIN END PIPE (SEE TABLE)	1	
2	PMSLX	BASE KIT (SEE TABLE)	1	
3	SMU2080	UNIVERSAL SADDLE MOUNT	1	50.00 LBS

REVISIONS				
REV.	ZONE	DESCRIPTION	BY	DATE
A		INITIAL RELEASE	AW	2/8/2006
B		UPDATE ITEMS 2 & 3	MSM	05/06/09
C		ADD PM-SU4-84	ACG	06/19/09
D		ADDED 24" AND 48" CONFIGURATIONS	DRR	05/20/11

PART NUMBER	PLAIN END PIPE	PIPE DESCRIPTION	BASE KIT	TOTAL WEIGHT
PMSU2B	N/A	N/A	PMSL2	80 LBS
PMSU224	MT648	PLAIN END PIPE 2-3/8" OD X 24"	PMSL2	87.5 LBS
PMSU248	MT650	PLAIN END PIPE 2-3/8" OD X 48"	PMSL2	94.5 LBS
PMSU272	MT651	PLAIN END PIPE 2-3/8" OD X 72"	PMSL2	101 LBS
PMSU296	MT65196	PLAIN END PIPE 2-3/8" OD X 96"	PMSL2	113.5 LBS
PMSU4B	N/A	N/A	PMSL4	81.5 LBS
PMSU424	MT65324	PLAIN END PIPE 4-1/2" OD X 24"	PMSL4	102 LBS
PMSU448	MT653	PLAIN END PIPE 4-1/2" OD X 48"	PMSL4	123.5 LBS
PMSU463	MT65363	PLAIN END PIPE 4-1/2" OD X 63"	PMSL4	138.5 LBS
PMSU484	MT65484	PLAIN END PIPE 4-1/2" OD X 84"	PMSL4	142.0 LBS
PMSU496	MT65496	PLAIN END PIPE 4-1/2" OD X 96"	PMSL4	169.5 LBS



These drawings and specifications are proprietary property and may be used only for the specific purpose authorized in writing. ALL DIMENSIONS ARE IN INCHES U.O.S. TOLERANCES UNLESS OTHERWISE SPECIFIED: .X = ± .12 ANGLES ± 2' .XX = ± .06 FRACTIONS ± 1/32 .XXX = ± .03 REMOVE BURRS AND BREAK EDGES .005 DO NOT SCALE THIS PRINT	DRAWN BY: AW	SHEET: 1 of 1	PART NUMBER: PMSU Series
	CHECKED BY: TP	SCALE: NTS	DESCRIPTION: UNIVERSAL SLIDING PIPE MOUNT KIT
	DATE: 02/08/06	MATERIAL: A36	DRAWING TYPE: ASSEMBLY DRAWING
	REVISION: D	FINISH: GALV A123	
	WEIGHT: SEE TABLE		