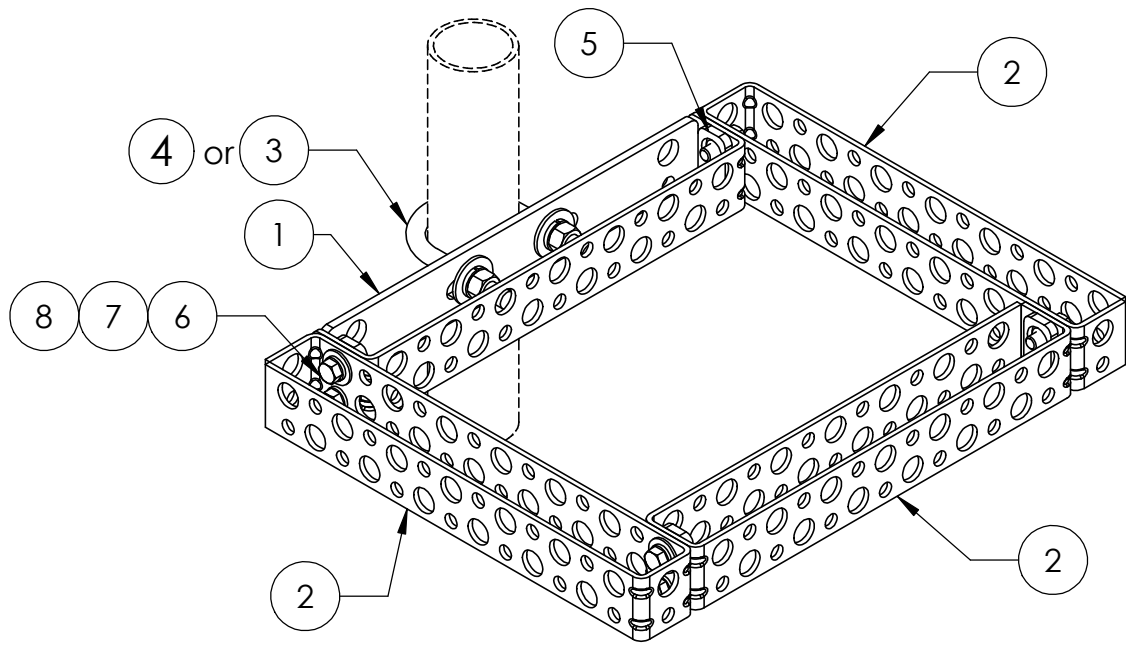
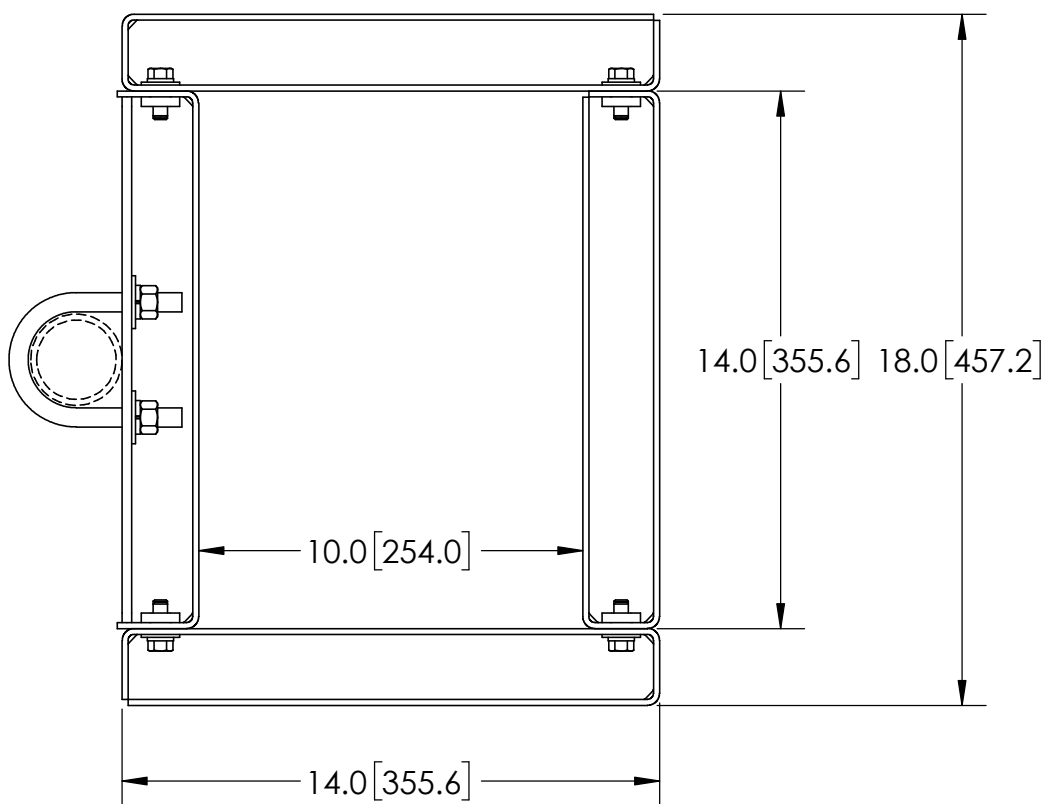
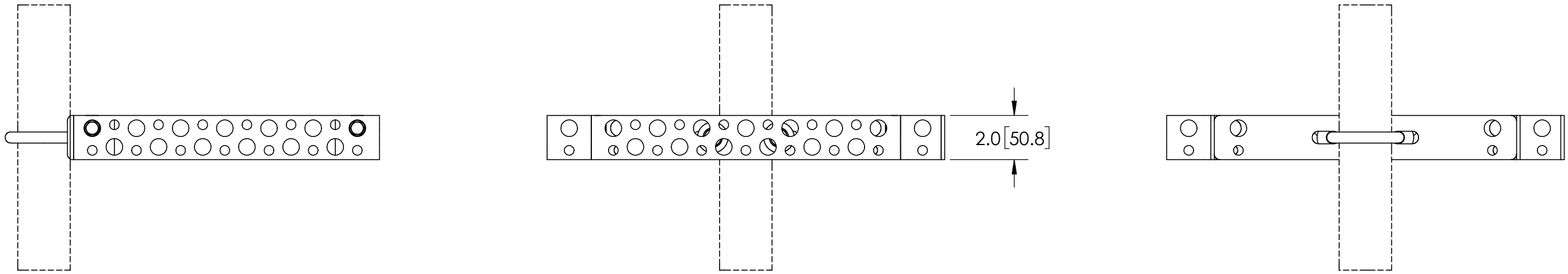


ITEM	PART NO.	DESCRIPTION	QTY.	WEIGHT
1	PBABMC14.01	PIM Blocker™ ALPHA BRACKET, MAIN CLAMP, 14"	1	2.94 LBS
2	PBABEB14.01	PIM BLOCKER™ ALPHA BRACKET EXTENSION, 14"	3	2.01 LBS
3	GUB4240	1/2"-13 UNC X 2-1/2" X 4" GALV U-BOLT	1	0.57 LBS
4	GUB4340	1/2"-13 UNC X 3" X 4" GALV U-BOLT	1	0.59 LBS
5	PBABBP.01	PIM BLOCKER™ ALPHA BRACKET BACKING PLATE	4	0.14 LBS
6	GB03105.01	3/8-16 UNC X 1" GALV HEX BOLT (GRADE 5)	8	0.05 LBS
7	GWL03	3/8" GALV LOCK WASHER	8	0.01 LBS
8	GWFO3	3/8" GALV USS FLAT WASHER	4	0.01 LBS

REVISIONS				
REV.	ZONE	DESCRIPTION	BY	DATE
A		PRELIMINARY	ACG	10/08/21

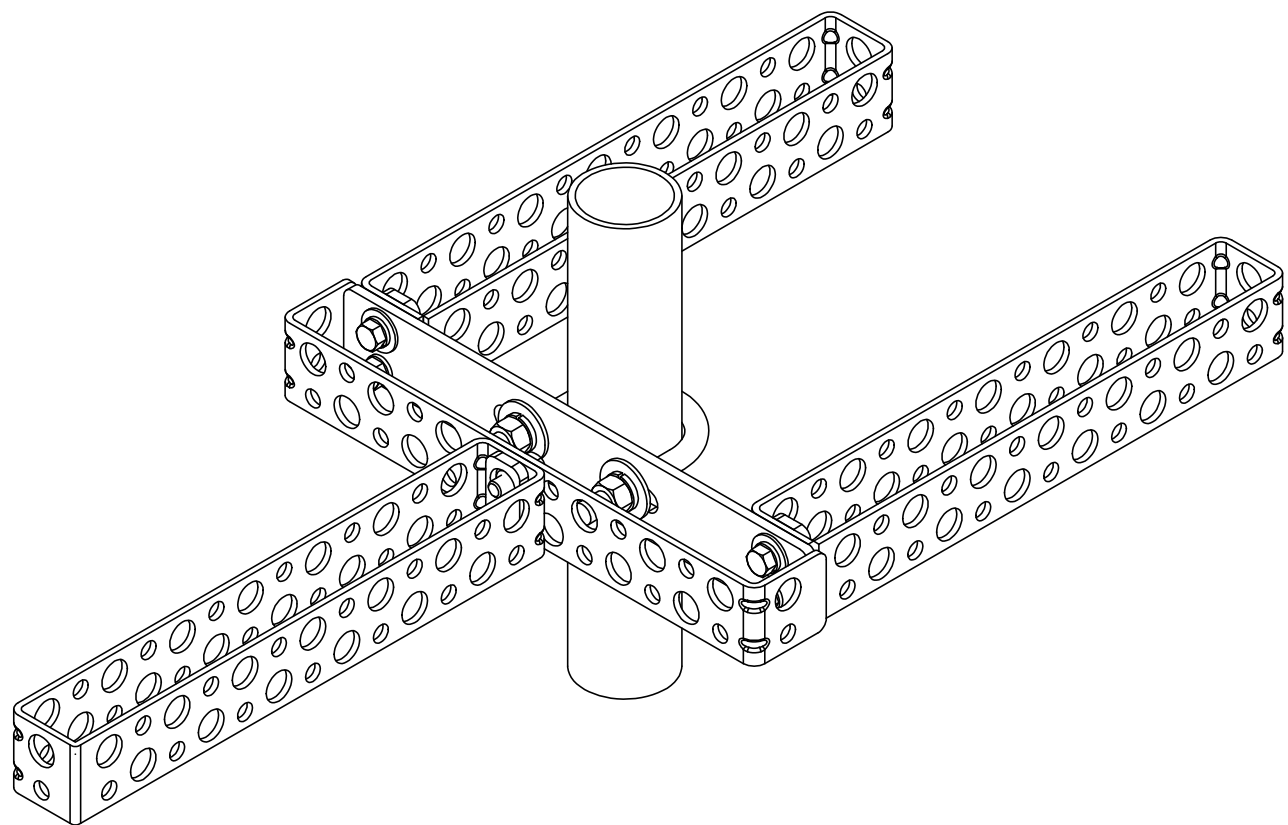
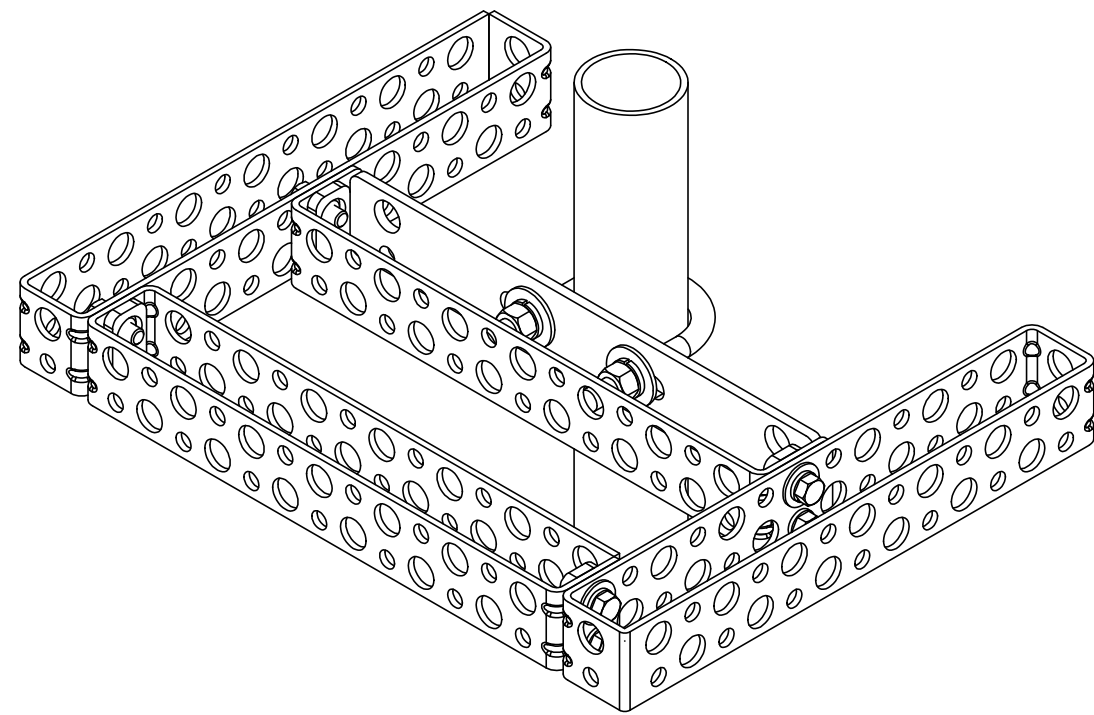
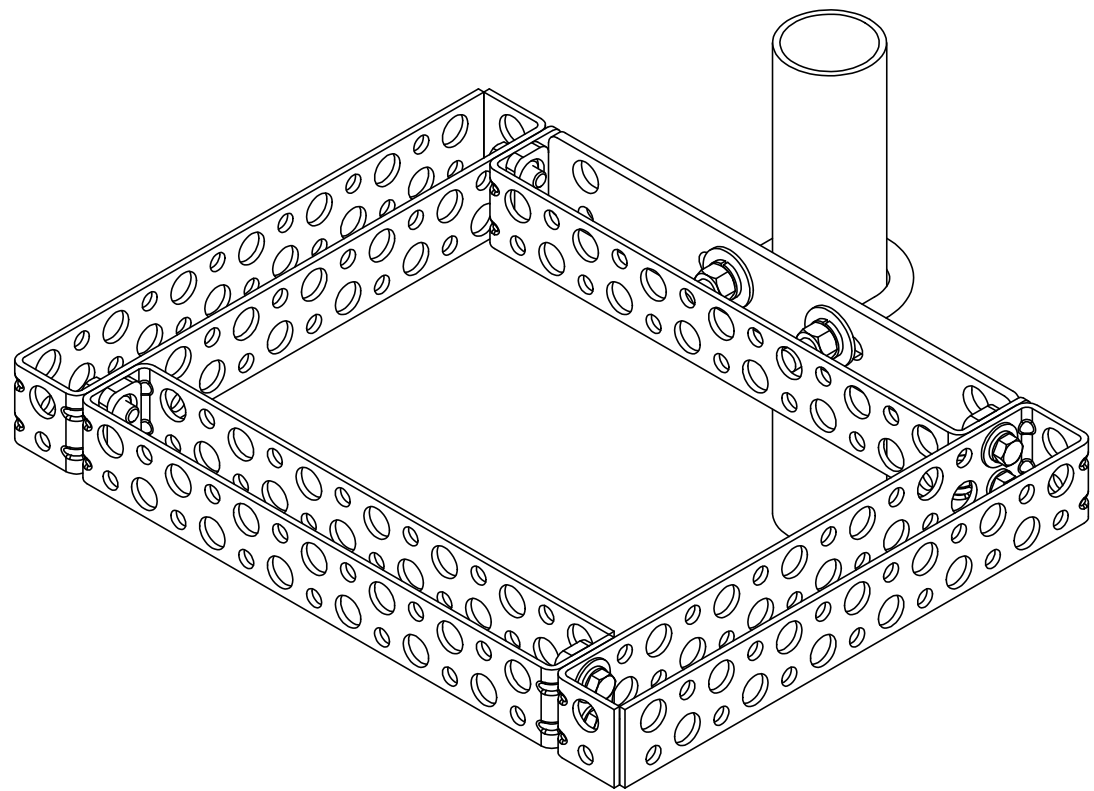


**NOTE: PATENT PENDING**



- NOTES:
1. ALL METRIC DIMENSIONS ARE IN BRACKETS.
  2. WELDING WORKMANSHIP PER AWS D1.1, TABLE 6.1.
  3. TORQUE BOLTS TO 31 FT-LBS
  4. GUB4354: 1/2" X 3-5/8" X 4 1/4" GALV U-BOLT IS ORDERED SEPARATELY.

ALL DIMENSIONS ARE IN INCHES U.O.S. TOLERANCES UNLESS OTHERWISE SPECIFIED: .X = ± .06 ANGLES ±2° .XX = ± .03 FRACTIONS ±1/32 .XXX = ± .010 REMOVE BURRS AND BREAK EDGES .005 DO NOT SCALE THIS PRINT	DRAWN BY: ACG	SHEET: 1 of 2	PART NUMBER: PBAB144
	CHECKED BY: MKV	SCALE: NTS	DESCRIPTION: PIM BLOCKER™ ALPHA BRACKET 14" X 4 SECTION
	DATE: 10/08/21	MATERIAL: ASTM A1011/A1018 Gr. 36	DRAWING TYPE: ASSEMBLY DRAWING
	REVISION: A	FINISH: ASTM A123	WEIGHT: 12.05 LBS



ALL DIMENSIONS ARE IN INCHES U.O.S. TOLERANCES UNLESS OTHERWISE SPECIFIED: .X = ± .06      ANGLES      ±2° .XX = ± .03      FRACTIONS      ±1/32 .XXX = ± .010 REMOVE BURRS AND BREAK EDGES .005 DO NOT SCALE THIS PRINT	DRAWN BY: ACG	SHEET: 2 of 2	PART NUMBER: PBAB144
	CHECKED BY: MKV	SCALE: NTS	DESCRIPTION: PIM BLOCKER™ ALPHA BRACKET 14" X 4 SECTION
	DATE: 10/08/21	MATERIAL: ASTM A1011/A1018 Gr. 36	DRAWING TYPE: ASSEMBLY DRAWING
	REVISION: <b>A</b>	FINISH: ASTM A123	
		WEIGHT: 12.05 LBS	