

PRODUCT REFERENCE SHEET

©2020

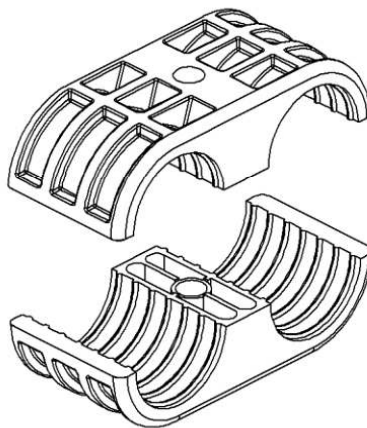
Cable Support Blocks for Coaxial Cable Applications

1721 PR F

PRODUCT DESCRIPTION

The Cable Support Block is a second generation block hanger system designed specifically for cable applications. Stackable space saving units provide versatility in all applications reducing material and installation costs by over 50% by requiring only one 8mm, 10mm, or 3/8" threaded rod to secure up to six runs of coax. Support Blocks are manufactured from a durable weather resistant Long Glass Polypropylene which exceeds the recommended temperature parameters for coaxial cable i.e. (-40° to 185° F). Thermal, chemical, and UV resistance ensure long term integrity in extreme environments including mountain tops, deserts, coastal, and industrial type applications.

TYPICAL APPLICATIONS



SPECIFICATIONS

CABLE BLOCK ASSEMBLIES (BLOCKS ONLY)				
Part #	Description	Cable Range	# of Runs	Kit Qty.
CBA4	CABLE BLOCK FOR 1/4" CABLES	4-6mm	2	10
CBA14	CABLE BLOCK FOR 1/4" CABLES	6-8mm	2	10
CBA38	CABLE BLOCK FOR 3/8" CABLES	10-12mm	2	10
CBA13	CABLE BLOCK FOR 13-14mm CABLES	13-14mm	2	10
CBA12	CABLE BLOCK FOR 1/2" CABLES	15.5-17.5mm	2	10
CBA19	CABLE BLOCK FOR 18-20mm CABLES	18-20mm	2	10
CBA23	CABLE BLOCK FOR 22.5-24mm CABLES	22.5-24mm	2	10
CBA78	CABLE BLOCK FOR 7/8" CABLES	27-29mm	2	10
CBA35	CABLE BLOCK FOR 34-36mm CABLES	34-36mm	2	10
CBA114	CABLE BLOCK FOR 1-1/4" CABLES	39-42mm	2	10
CBA158	CABLE BLOCK FOR 1-5/8" CABLES	50-54mm	2	10
CBA214	CABLE BLOCK FOR 2-1/4" CABLES	60-65mm	2	10