

INSTALLATION INSTRUCTIONS

©2020

Universal Snap-in Hanger Kits for Coaxial Cable Applications

1014 IB E

PRODUCT DESCRIPTION

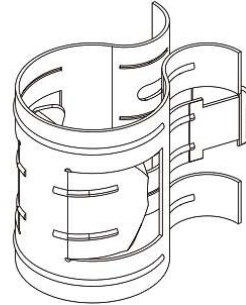
Universal Snap-in Hangers simplify installation of coaxial cable by eliminating the need for mounting hardware. Snap-ins are easily placed over the coax, inserted into a pre-punched 3/4" hole and snapped into place. This unique universal design can be utilized to support a variety of brands of coaxial cable. Snap-in Hangers securely lock your coax into position. Inadvertent "pop-outs" caused by excessive or rounded galvanized edges on tower members are eliminated.

NOTICE

Installation of this product should only be performed by trained, qualified and experienced personnel. Installation instructions for this product should be read thoroughly before installation is performed. The manufacturer and supplier of this product disclaims any liability or responsibility for the results of improper or unsafe installation practice.

MATERIAL LIST

Universal Snap-in Hanger kits include 10 stainless steel Snap-in Hangers.



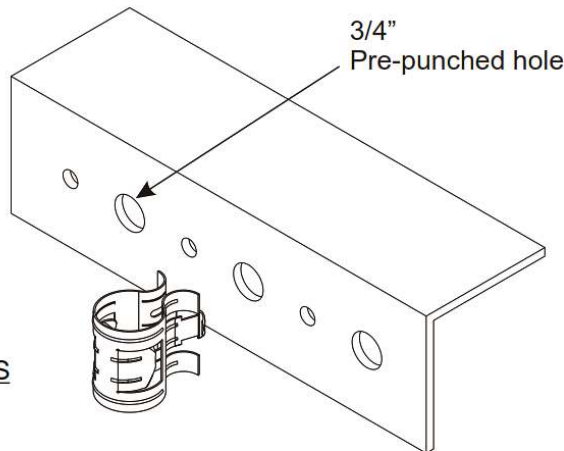
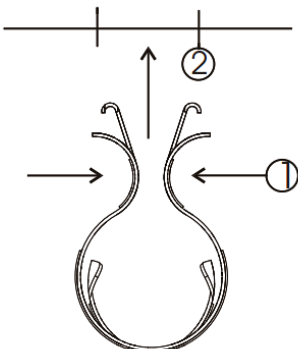
REQUIRED TOOLS

No tools required.

TYPICAL APPLICATIONS

INSERTION DIRECTIONS

- ① Squeeze hanger
- ② Insert into hole



NOTE: Thickness of pre-punched member: .120" - .135" (3.0mm - 3.4mm)

