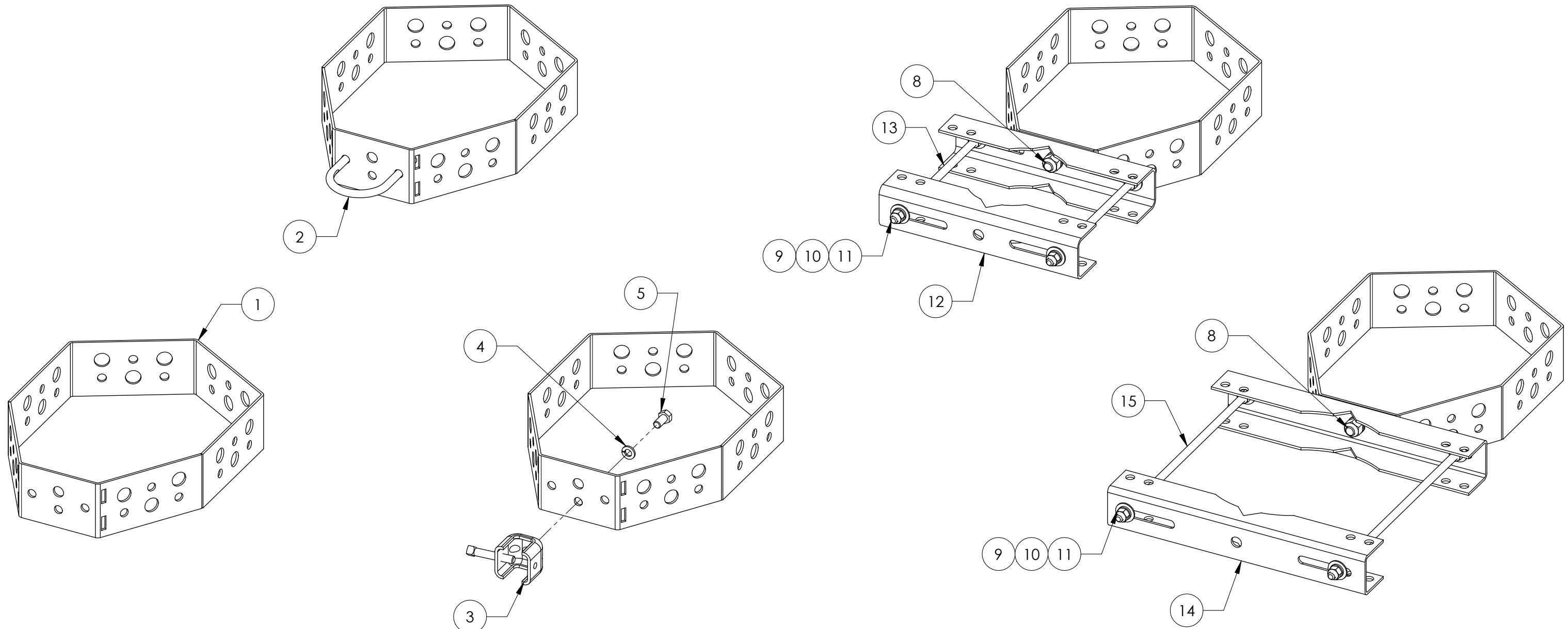


REVISIONS					
REV.	ECN	ZONE	DESCRIPTION	BY	DATE
A			INITIAL RELEASE	HBA	%8/#8) #-,
6			7 <5B: 9!16C @HC : 1 6' &((\$(#&#- -
7			F9D@5 7 9 55!! K #k A H) %	!	\$' #&* #&%
8			F9J @98 '5B8 F98F5K B	8A K	\$) #9) #&%
9			F9D@5 7 9 G6\$ \$*GK #k G6\$ \$*	57;	\$' #&%#&*
:	,\$\$\$\$\$, +\$+		58898 G@C HGHC 7 G6@\$%: C F GH99@65B8-B;	58K	\$* #9% #9)



ITEM	PART NO.	DESCRIPTION	CSBL QTY.	CSBL2 QTY.	CSBLA QTY.	CSBLR2 QTY.	CSBLR6 QTY.	WEIGHT
1	CSBL	CLUSTER SUPPORT BRACKET, LARGE	1	1	1	1	1	3.65 LBS
2	GUB3244	3/8" X 2-1/2" X 4" GALV U-BOLT	-	1	-	-	-	0.31 LBS
3	MT515	ANGLE ADAPTER, 3/8 SET SCREW	-	-	1	-	-	0.46 LBS
4	SWL03	3/8" SS LOCK WASHER	-	-	1	-	-	0.01 LBS
5	SB0306	3/8" X 3/4" SS BOLT	-	-	1	-	-	0.04 LBS
6	SSTB2550H	HARDWARE KIT (ITEMS 8-13)	-	-	-	1	-	-
7	CSBLR6H	HARDWARE KIT (ITEMS 8-11, 14-15)	-	-	-	-	1	-
8	GB04105	1/2" X 1" GALV BOLT KIT	-	-	-	1	1	0.10 LBS
9	GWF03	3/8" GALV FLAT WASHER	-	-	-	6	6	0.01 LBS
10	GWL03	3/8" GALV LOCK WASHER	-	-	-	4	4	0.01 LBS
11	GN03	3/8" GALV HEX NUT	-	-	-	6	6	0.02 LBS
12	SS2550.01	STAR SUPPORT CLAMP	-	-	-	2	-	1.84 LBS
13	GD03950	3/8" X 9-1/2" GALV THREADED ROD	-	-	-	2	-	0.30 LBS
14	SS6080.01	STAR SUPPORT CLAMP	-	-	-	-	2	2.43 LBS
15	TLSA6080.03	3/8" X 14" GALV THREADED ROD	-	-	-	-	2	0.44 LBS

These drawings and specifications are proprietary property and may be used for a specific purpose authorized in writing.

ALL DIMENSIONS ARE IN INCHES U.O.S.
TOLERANCES UNLESS OTHERWISE SPECIFIED:
.X = ± .06 ANGLES ±2°
.XX = ± .03 FRACTIONS ±1/32
.XXX = ± .010

REMOVE BURRS AND BREAK EDGES .005

DO NOT SCALE THIS PRINT

DRAWN BY: ACG	SHEET: 1 of 1	PART NUMBER: CSBL Series
CHECKED BY: CC	SCALE: NTS	DESCRIPTION: CLUSTER SUPPORT BRACKET, LARGE
DATE: 11/25/98	MATERIAL: ASTM A36, A568, 304	DRAWING TYPE: ASSEMBLY DRAWING
REVISION: F	FINISH: ASTM A123	
	WEIGHT: N/A	