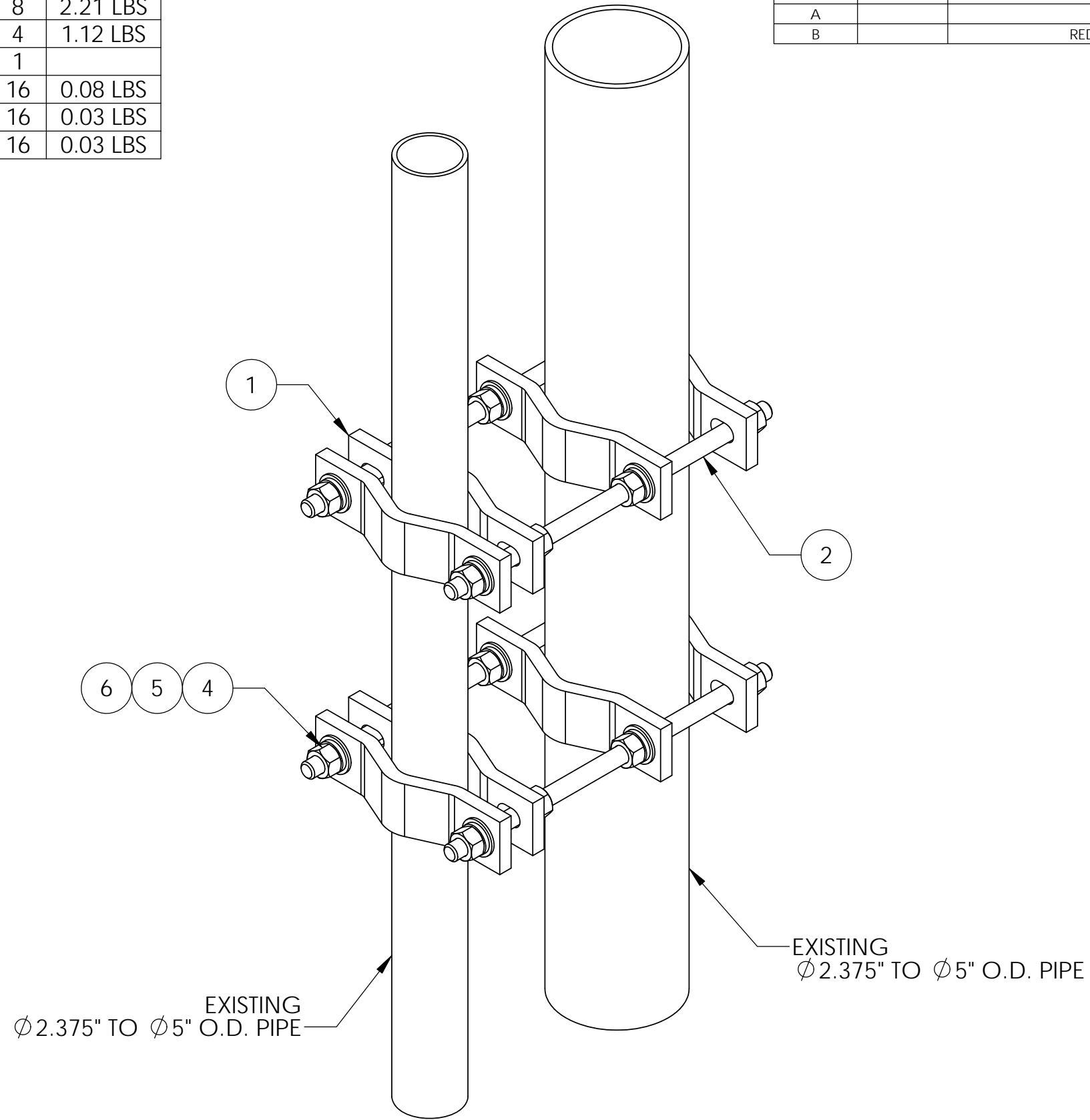


ITEM	PART NO.	DESCRIPTION	QTY.	WEIGHT
1	DCP10	SMALL CLAMP HALF	8	2.21 LBS
2	MT38214	5/8" X 14" THREADED ROD	4	1.12 LBS
3	HB5816	HARDWARE KIT (ITEMS 4-6)	1	
4	GN05A	5/8" GALV HEX NUT (A325)	16	0.08 LBS
5	GWL06	5/8" GALV LOCK WASHER	16	0.03 LBS
6	GWF05A	5/8" GALV FLAT WASHER (A325)	16	0.03 LBS

REVISIONS				
REV.	ZONE	DESCRIPTION	BY	DATE
A		INITIAL RELEASE	MLO	08/05/99
B		REDRAWN & REVISED	DMW	04/25/01



These drawings and specifications are proprietary property and may be used only for the specific purpose authorized in writing.			DRAWN BY: ACG	SHEET: 1 of 1	PART NUMBER: BC3514
ALL DIMENSIONS ARE IN INCHES U.O.S. TOLERANCES UNLESS OTHERWISE SPECIFIED: .X = ± .06 ANGLES ±2° .XX = ± .03 FRACTIONS ±1/32 .XXX = ± .010 REMOVE BURRS AND BREAK EDGES .005			CHECKED BY: CC	SCALE: NTS	DESCRIPTION: PIPE TO PIPE CLAMP
DO NOT SCALE THIS PRINT			DATE: 10/14/05	MATERIAL: A36	DRAWING TYPE: ASSEMBLY DRAWING
			REVISION: B	FINISH: GALV A123	
				WEIGHT: 24.35 LBS	