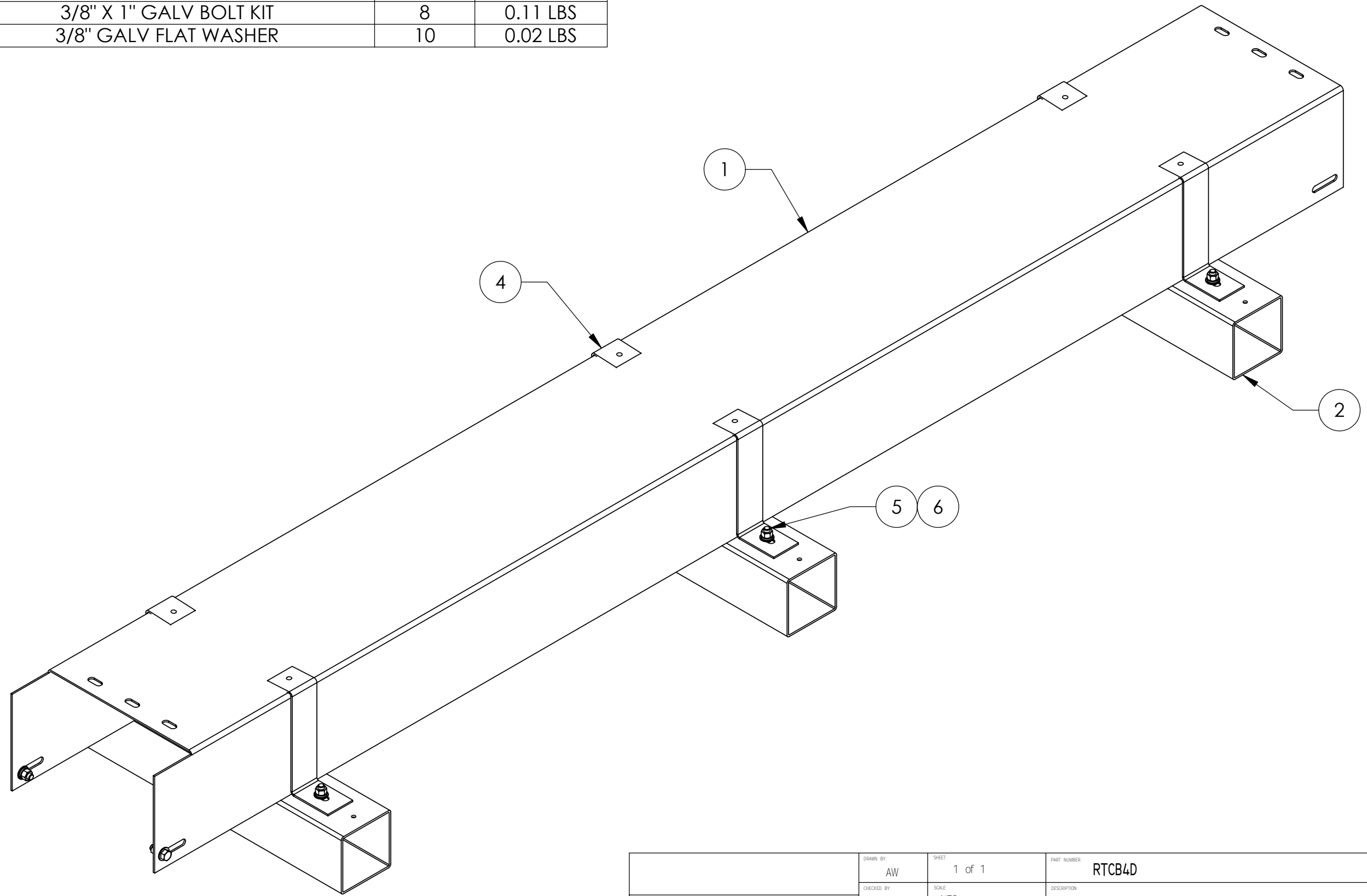


ITEM	PART NO.	DESCRIPTION	QTY.	WEIGHT
1	RTCB4D.01	COAX COVER (4 RUNS)	1	72.74 LBS
2	MTF1598	PVC ROOF SLEEPER FOR 2 RUNS OF COAX	3	1.94 LBS
3	RTCUH	UNIVERSAL HARDWARE KIT (ITEMS 4-6)	1	
4	RTHC.01	ROOF TOP COVER CLIP	6	0.71 LBS
5	GB-03105	3/8" X 1" GALV BOLT KIT	8	0.11 LBS
6	GWF-03	3/8" GALV FLAT WASHER	10	0.02 LBS

REVISIONS				
REV.	ZONE	DESCRIPTION	BY	DATE
A		INITIAL RELEASE	AW	02/07/05
B		UPDATE HARDWARE KIT	ACG	04/06/05
C		ADDED HOLE TO ITEM 4	ACG	03/06/06



NOTES:

1. $\varnothing 5/16$ " HOLE INCLUDED IN ITEM 4 FOR OPTIONAL (NOT INCLUDED) 1/4" SELF- DRILLING SCREW.

ALL DIMENSIONS ARE IN INCHES U.O.S. TOLERANCES UNLESS OTHERWISE SPECIFIED: .X = \pm .06 ANGLES $\pm 2^\circ$.XX = \pm .03 FRACTIONS $\pm 1/32$.XXX = \pm .010 REMOVE BURRS AND BREAK EDGES .005 DO NOT SCALE THIS PRINT	DRAWN BY:	SHEET:	PART NUMBER:
	AW	1 of 1	RTCB4D
	CHECKED BY:	SCALE:	DESCRIPTION:
	TP	NTS	ROOF TOP COVER KIT 4 RUNS
DATE:	MATERIAL:	DRAWING TYPE:	
02/07/05	A568	ASSEMBLY DRAWING	
REVISION:	FINISH:		
C	GALV A123		
	WEIGHT:		
	83.50 LBS		