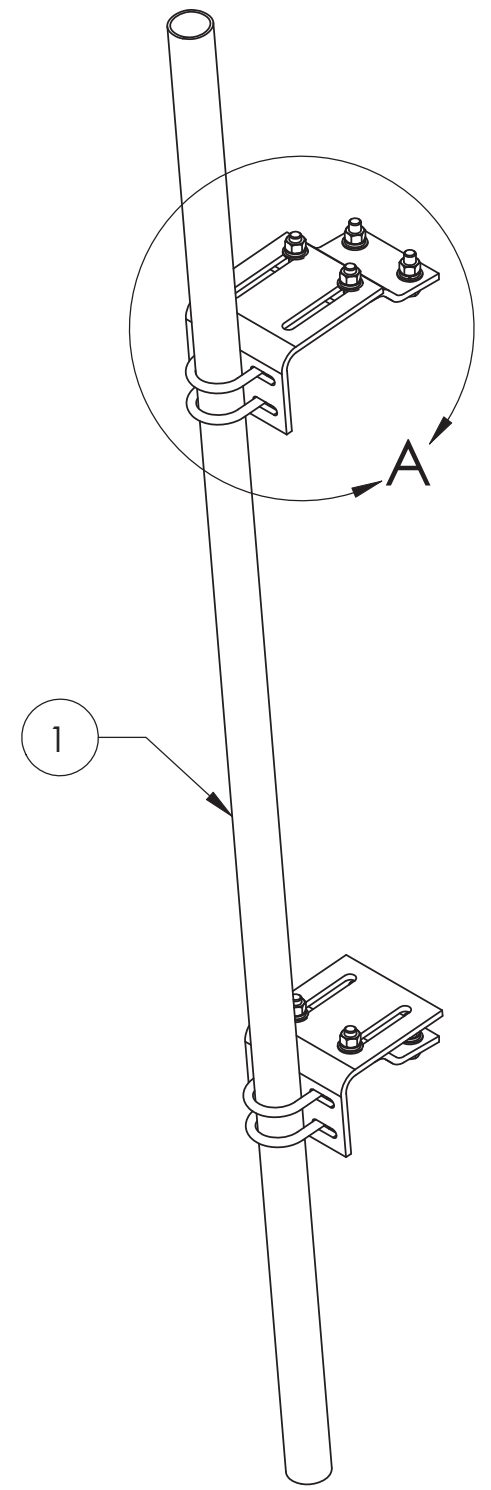
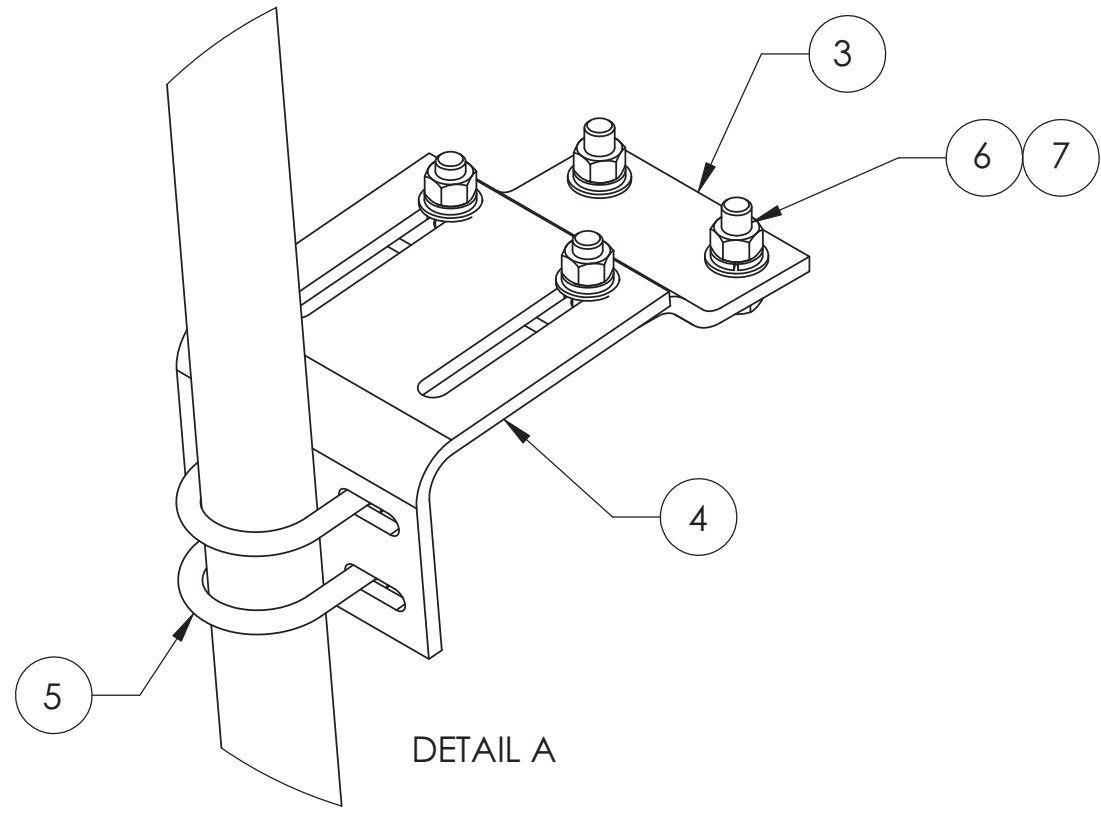


ITEM	PART NO.	DESCRIPTION	QTY.	WEIGHT
1	MT-XXX	PLAIN END PIPE 2-3/8" OD (SEE TABLE)	1	-
2	PM-SL2	BASE KIT (ITEMS 3-7)	1	-
3	PMSL.01	S-BRACKET	2	4.28 LBS
4	PMSL.02	L-BRACKET	2	7.94 LBS
5	GUB4240	1/2" X 2-1/2" X 4" GALV U-BOLT KIT	4	0.56 LBS
6	GB-05205	5/8" X 2" GALV BOLT KIT	8	0.13 LBS
7	GWF05	5/8" GALV FLAT WASHER	8	0.02 LBS

REVISIONS				
REV.	ZONE	DESCRIPTION	BY	DATE
A		INITIAL RELEASE	AW	12/08/04
B		ADDED FLAT WASHERS	ACG	07/05/05
C		UPDATE ITEM PMSL02	MSM	05/06/09



PART NUMBER	PLAIN END PIPE	DESCRIPTION	WEIGHT
PM-SL2-72	MT-651	PLAIN END PIPE 2-3/8" OD X 72"	51 LBS
PM-SL2-96	MT-651-96	PLAIN END PIPE 2-3/8" OD X 96"	63.5 LBS
PM-SL2	N/A	N/A	30 LBS

<p>These drawings and specifications are proprietary property and may be used only for the specific purpose authorized in writing.</p> <p>ALL DIMENSIONS ARE IN INCHES U.O.S. TOLERANCES UNLESS OTHERWISE SPECIFIED: .X = ± .12 ANGLES ±2° .XX = ± .06 FRACTIONS ±1/32 .XXX = ± .03</p> <p>REMOVE BURRS AND BREAK EDGES .005</p> <p>DO NOT SCALE THIS PRINT</p>	DRAWN BY: AW CHECKED BY: TP DATE: 12/08/04 REVISION: C	SHEET: 1 of 1 SCALE: NTS MATERIAL: A36, A53 FINISH: GALV A123 WEIGHT: SEE TABLE	PART NUMBER: PMSL2 SERIES DESCRIPTION: SLIDE MOUNT 2-3/8" O.D. PIPE DRAWING TYPE: ASSEMBLY DRAWING
--	---	---	--