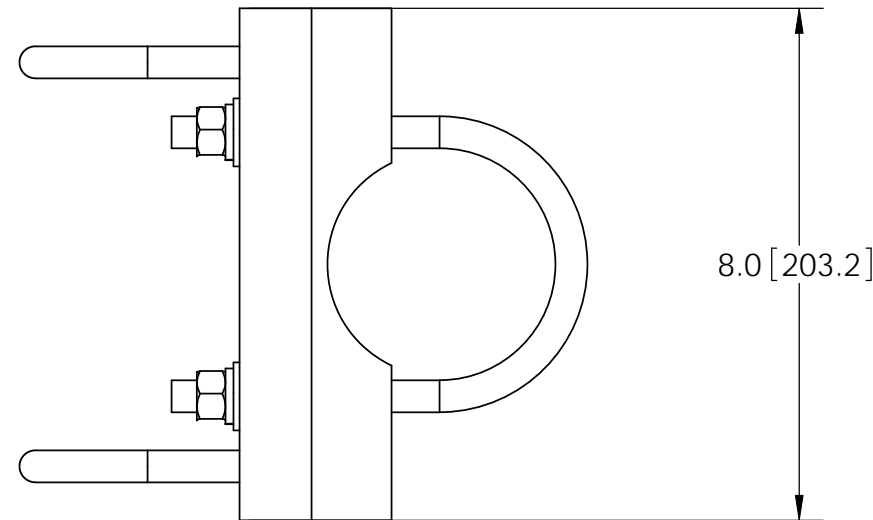
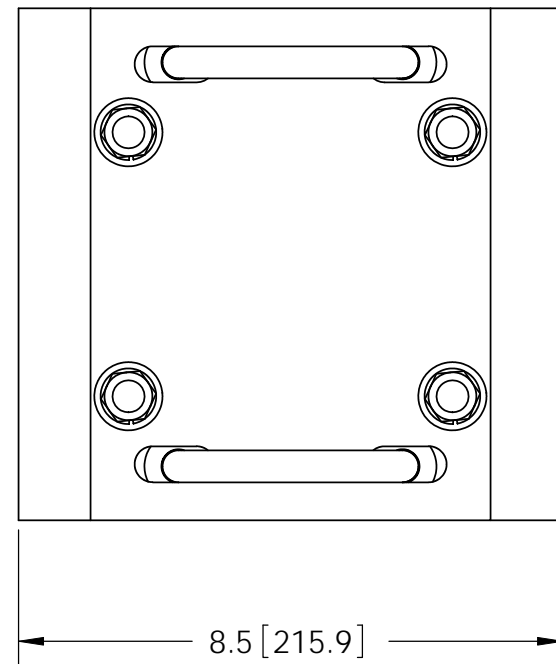
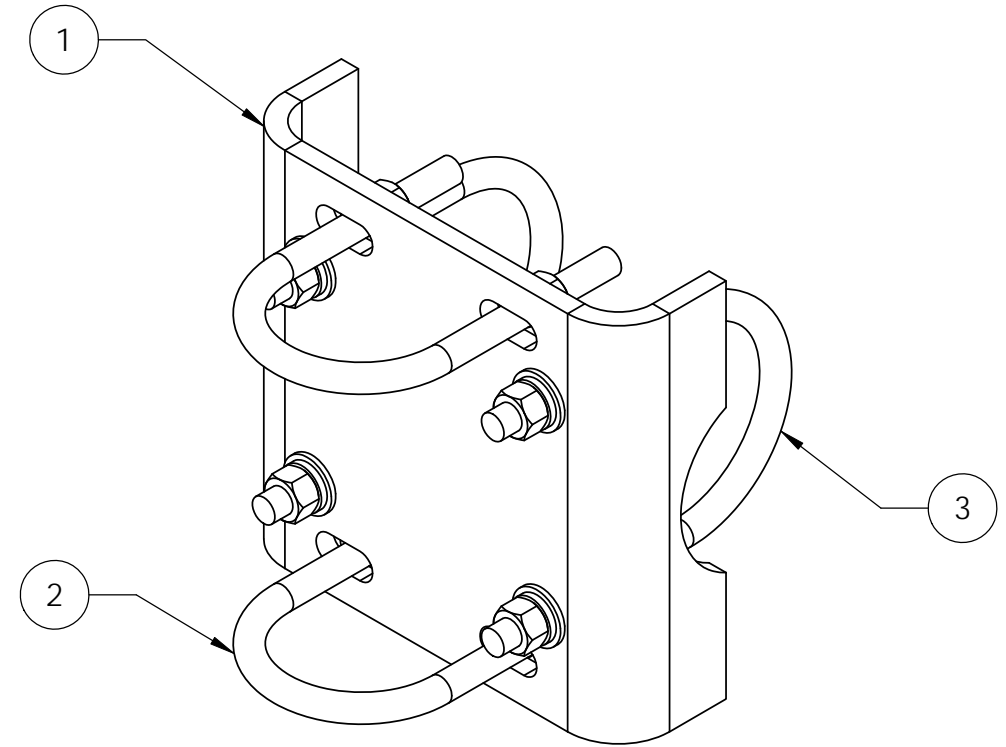
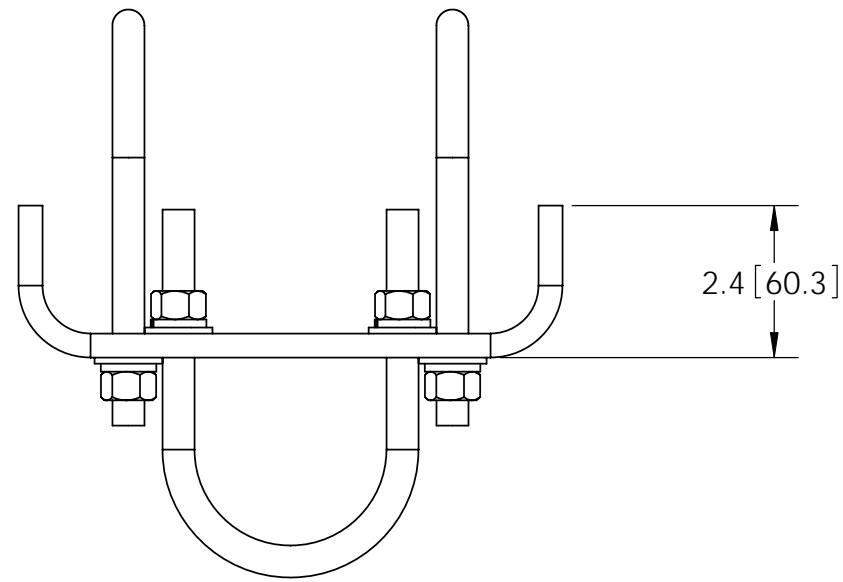


ITEM	PART NO.	DESCRIPTION	QTY.	WEIGHT
1	MT219H3501	3.5"OD Clamp Bracket	1	8.99 LBS
2	GUB-4352	1/2" X 3" X 5-1/4" GALV U-BOLT	2	0.72 LBS
3	GUB-4356	1/2" X 3-5/8" X 6" GALV U-BOLT	2	0.72 LBS

REVISIONS				
REV.	ZONE	DESCRIPTION	BY	DATE
A		INITIAL RELEASE	MSM	09/01/09



NOTES:
1. ALL METRIC DIMENSIONS ARE IN BRACKETS.

<small>These drawings and specifications are proprietary property and may be used only for the specific purpose authorized in writing.</small> ALL DIMENSIONS ARE IN INCHES U.O.S. TOLERANCES UNLESS OTHERWISE SPECIFIED: .X = ± .12 ANGLES ±2° .XX = ± .06 FRACTIONS ±1/32 .XXX = ± .03 REMOVE BURRS AND BREAK EDGES .005 DO NOT SCALE THIS PRINT	DRAWN BY: MSM	SHEET: 1 of 1	PART NUMBER: MT219MH
	CHECKED BY: TP	SCALE: NTS	DESCRIPTION: 3.5" OD X 2-7/8" OD Clamp Bracket Assembly
	DATE: 09/01/09	MATERIAL: A36	DRAWING TYPE: ASSEMBLY DRAWING
	REVISION: A	FINISH: GALV A132	WEIGHT: 12.69 LBS