

ITEM	PART NO.	DESCRIPTION	QTY.	WEIGHT
1	MTF157311.01	ADJUSTABLE SPLICE FOR 4-RUN COAX	1	2.85 LBS
2	GB03105	3/8-16 UNC X 1" GALV HEX BOLT KIT (GRADE 5)	6	0.05 LBS
3	GWFO4	1/2" GALV USS FLAT WASHER	2	0.04 LBS

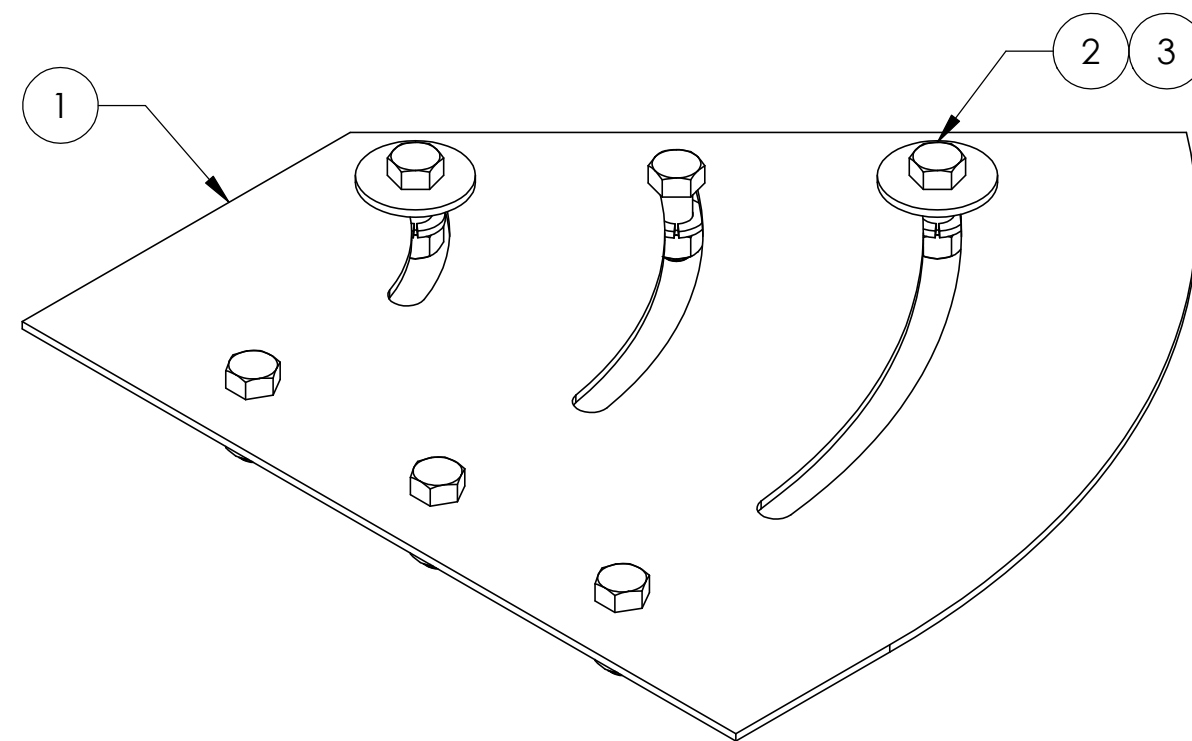
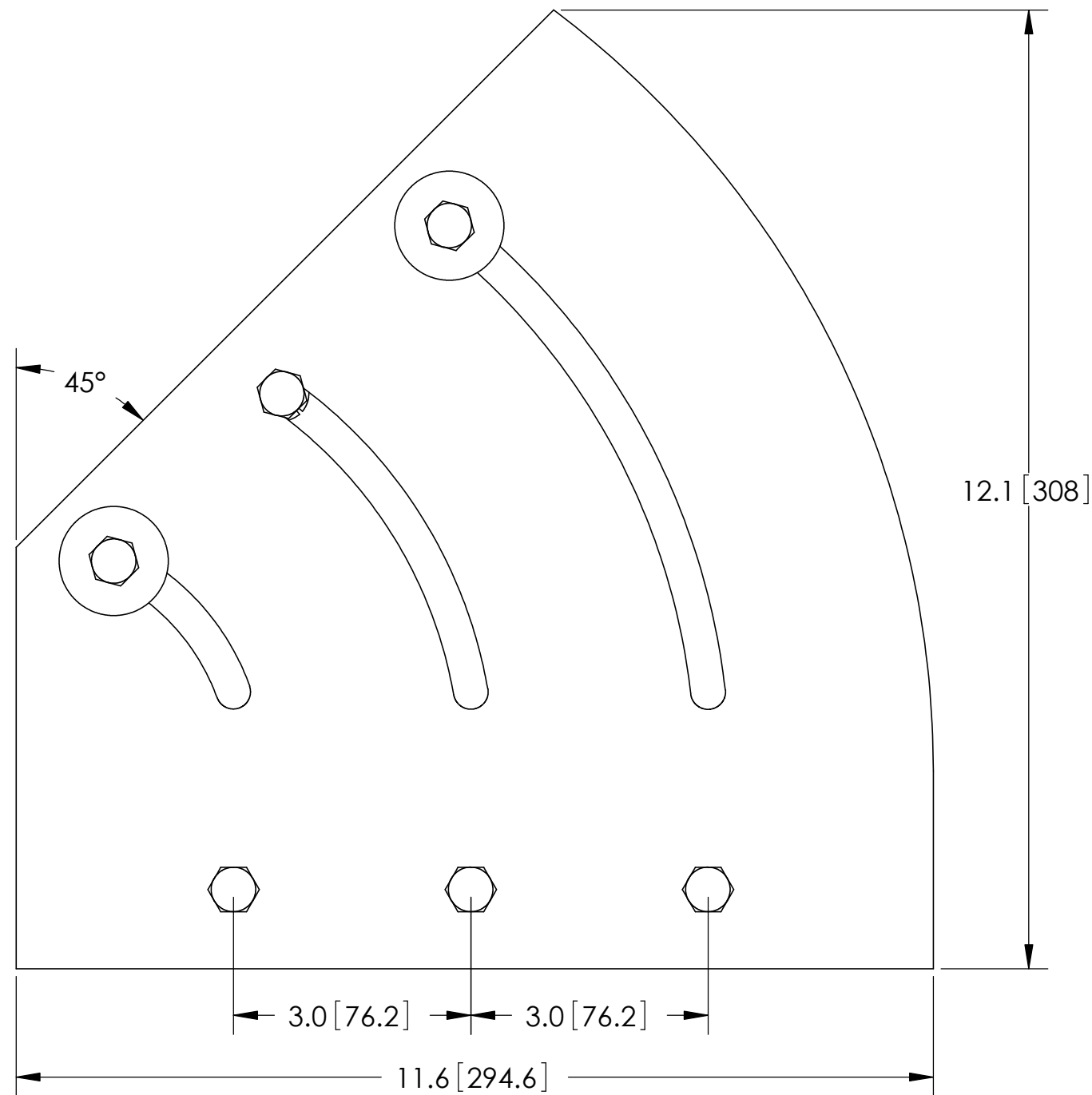
REVISIONS				
REV.	ZONE	DESCRIPTION	BY	DATE
A		INITIAL RELEASE	GB	05/04/01
B		REDRAWN IN SOLIDWORKS	ACG	09/01/06

D

C

B

A



D

C

B

A

NOTES:

1. ALL METRIC DIMENSIONS ARE IN BRACKETS.

These drawings and specifications are proprietary property and may be used only for the specific purpose authorized in writing.

ALL DIMENSIONS ARE IN INCHES U.O.S.
 TOLERANCES UNLESS OTHERWISE SPECIFIED:
 .X = ± .06 ANGLES ±2°
 .XX = ± .03 FRACTIONS ±1/32
 .XXX = ± .010
 REMOVE BURRS AND BREAK EDGES .005

DO NOT SCALE THIS PRINT

DRAWN BY:
ACGCHECKED BY:
TPDATE:
04/20/06REVISION:
BSHEET:
1 of 1SCALE:
NTSMATERIAL:
A568FINISH:
GALV A123WEIGHT:
3.38 LBSPART NUMBER:
MTF157311DESCRIPTION:
ADJUSTABLE SPLICE KIT FOR 4-RUN COAXDRAWING TYPE:
ASSEMBLY DRAWING

8

7

6

5

4

3

2

1