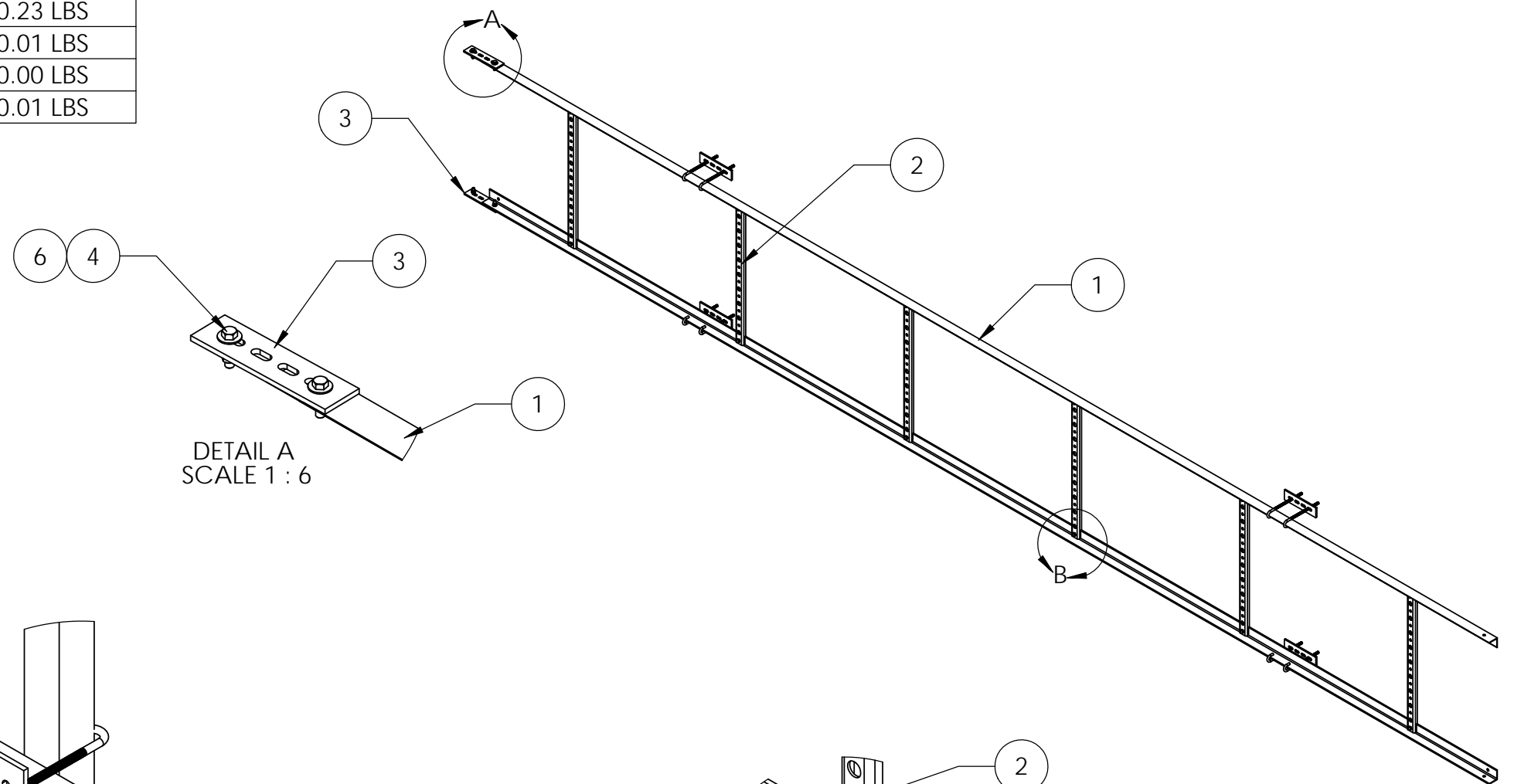


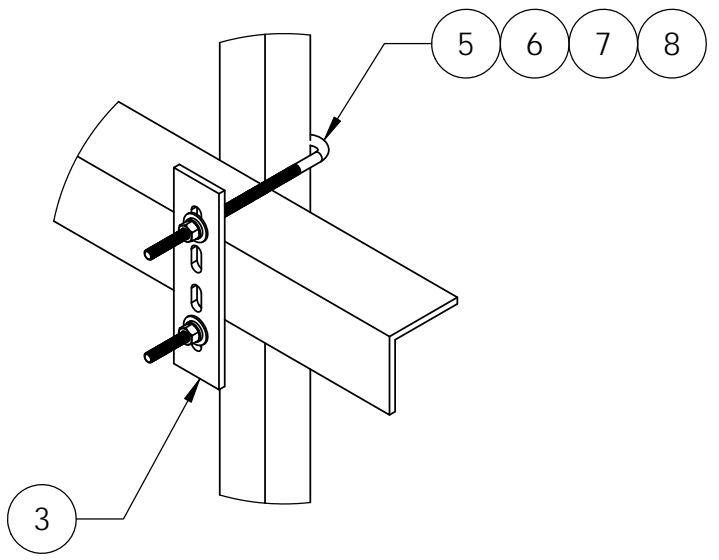
| ITEM | PART NO. | DESCRIPTION                 | QTY. | WEIGHT    |
|------|----------|-----------------------------|------|-----------|
| 1    | CL20.01  | 20' ANGLE SIDE RAIL         | 2    | 32.76 LBS |
| 2    | CL09R.01 | 29" LADDER RUNG             | 6    | 2.48 LBS  |
| 3    | HKCLU.02 | BACKING PLATE               | 6    | 0.95 LBS  |
| 4    | GB03145  | 3/8" X 1-1/2" GALV BOLT KIT | 16   | 0.07 LBS  |
| 5    | GJB0380  | 8" GALV J-BOLT KIT          | 8    | 0.23 LBS  |
| 6    | GWF03    | 3/8" GALV FLAT WASHER       | 12   | 0.01 LBS  |
| 7    | GWL03    | 3/8" GALV LOCK WASHER       | 8    | 0.00 LBS  |
| 8    | GN03     | 3/8" GALV HEX NUT           | 8    | 0.01 LBS  |

| REVISIONS |      |                           |     |          |
|-----------|------|---------------------------|-----|----------|
| REV.      | ZONE | DESCRIPTION               | BY  | DATE     |
| A         |      | INITIAL RELEASE           | ACG | 01/14/05 |
| B         |      | REPLACE J-BOLT FROM JB-HK | ACG | 12/12/08 |
| C         |      | UPDATE BOM                | MSM | 05/15/13 |

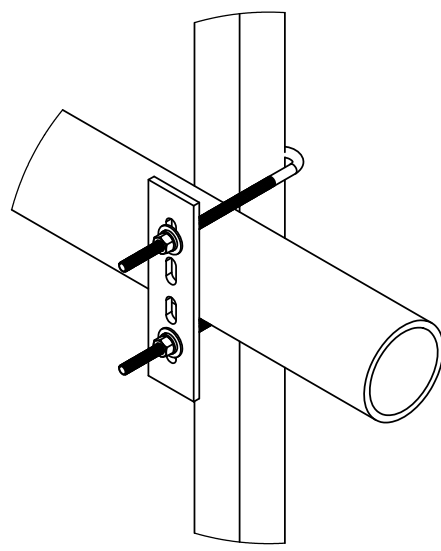


DETAIL A  
SCALE 1 : 6

DETAIL B  
SCALE 1 : 6



ANGLE MEMBER  
SET-UP



ROUND MEMBER  
SET-UP

NOTES:  
1. ALL METRIC DIMENSIONS ARE IN BRACKETS.

|  |                       |                        |   |
|--|-----------------------|------------------------|---|
| These drawings and specifications are proprietary property and may be used only for the specific purpose authorized in writing.<br><br>ALL DIMENSIONS ARE IN INCHES U.O.S.<br>TOLERANCES UNLESS OTHERWISE SPECIFIED:<br>.X = ± .12      ANGLES      ±2°<br>.XX = ± .06      FRACTIONS      ±1/32<br>.XXX = ± .03<br><br>REMOVE BURRS AND BREAK EDGES .005<br><br>DO NOT SCALE THIS PRINT | DRAWN BY:<br>ACG      | SHEET:<br>1 of 1       | PART NUMBER:<br>CL0920U                         |
|  | CHECKED BY:<br>TP     | SCALE:<br>NTS          | DESCRIPTION:<br>20' CABLE LADDER - 9 HOLE RUNGS |
|  | DATE:<br>01/14/05     | MATERIAL:<br>A36, A529 | DRAWING TYPE:<br>ASSEMBLY DRAWING               |
|  | REVISION:<br><b>C</b> | FINISH:<br>GALV A123   |   |
|  | WEIGHT:<br>89.69      |                        |   |