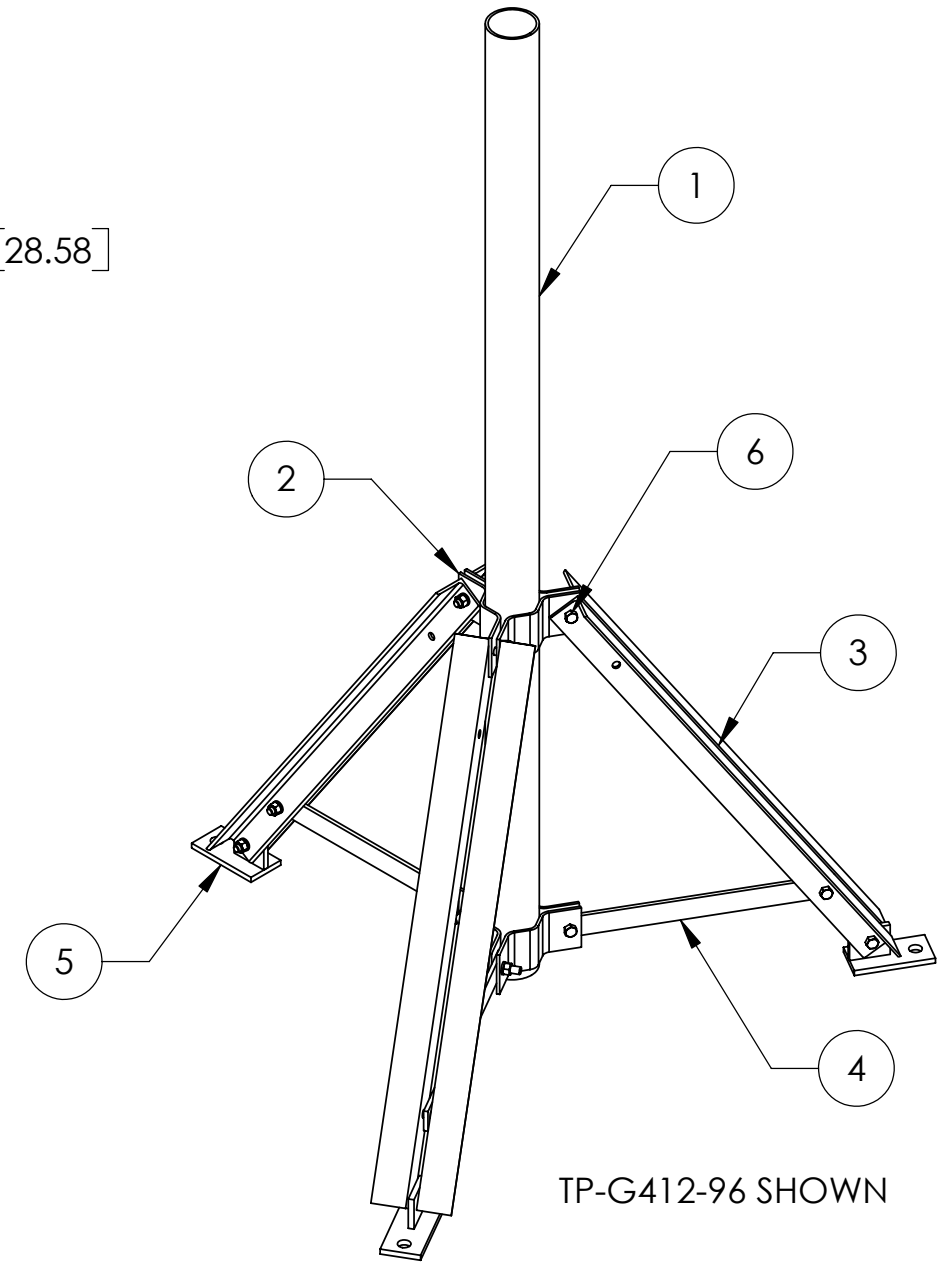
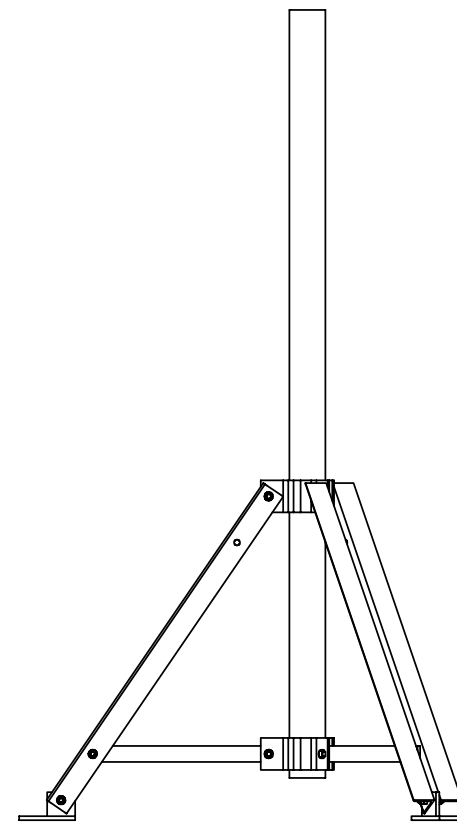
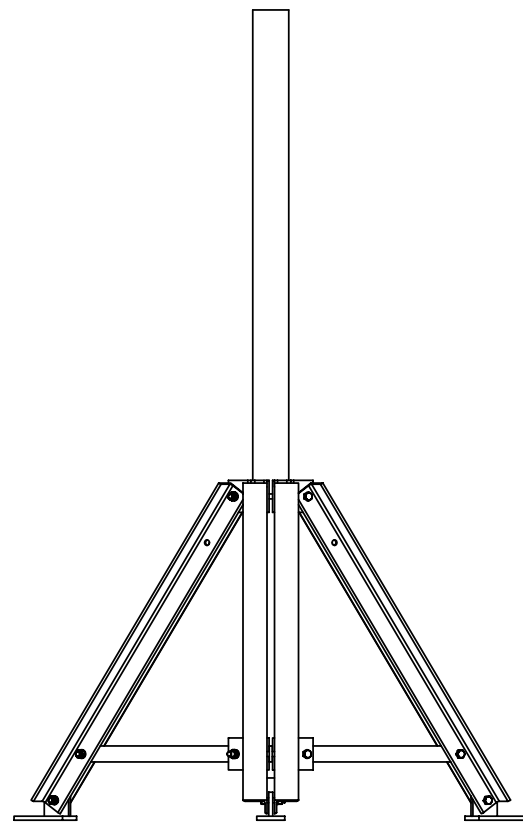
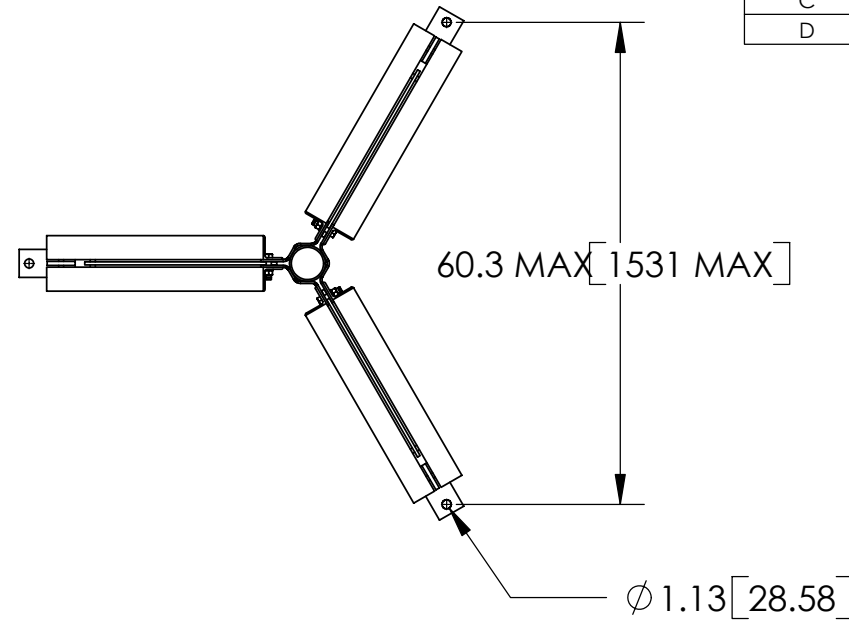


| ITEM | PART NO.   | DESCRIPTION                   | TPG412B |          |          |           | WEIGHT     |
|------|------------|-------------------------------|---------|----------|----------|-----------|------------|
|      |            |                               | TPG412B | TPG41272 | TPG41296 | TPG412126 |            |
| 1    | MT654      | Ø 4.5" O.D. X 72" SCH 40 PIPE | -       | 1        | -        | -         | 64.98 LBS  |
| 1    | MT65496    | Ø 4.5" O.D. X 96" SCH 40 PIPE | -       | -        | 1        | -         | 86.64 LBS  |
| 1    | MT539      | Ø 4.5" X 126" SCH 40 PIPE     | -       | -        | -        | 1         | 113.71 LBS |
| 2    | TPG412B.03 | TRIPOD LEG ANGLE              | 6       | 6        | 6        | 6         | 19.26 LBS  |
| 3    | TPG412BHK  | HARDWARE KIT (ITEMS 4-7)      | 1       | 1        | 1        | 1         |            |
| 4    | TPG412B.01 | TRIPOD FOOT                   | 3       | 3        | 3        | 3         | 4.74 LBS   |
| 5    | TPG412B.02 | Ø 4-1/2" TRIPOD CLAMP         | 6       | 6        | 6        | 6         | 3.05 LBS   |
| 6    | TPG412B.04 | TRIPOD BRACE                  | 3       | 3        | 3        | 3         | 4.99 LBS   |
| 7    | TPG412BH   | HARDWARE KIT (ITEM 8)         | 1       | 1        | 1        | 1         |            |
| 8    | GB05245    | 5/8" X 2-1/2" GALV BOLT KIT   | 12      | 12       | 12       | 12        | 0.27 LBS   |

| REVISIONS |      |                                    |     |          |
|-----------|------|------------------------------------|-----|----------|
| REV.      | ZONE | DESCRIPTION                        | BY  | DATE     |
| B         |      | REDRAWN & REVISED                  | DMW | 05/25/01 |
| C         |      | UPDATE PART LIST                   | ACG | 02/25/04 |
| D         |      | VIEWS ADDED, REDRAWN IN SOLIDWORKS | ACG | 08/10/06 |



TP-G412-96 SHOWN

NOTES:  
1. ALL METRIC DIMENSIONS ARE IN BRACKETS.

|   |                       |                       |  |
|---|-----------------------|-----------------------|--|
| These drawings and specifications are proprietary property and may be used only for the specific purpose authorized in writing.<br><br>ALL DIMENSIONS ARE IN INCHES U.O.S.<br>TOLERANCES UNLESS OTHERWISE SPECIFIED:<br>.X = ± .06      ANGLES      ±2°<br>.XX = ± .03      FRACTIONS      ±1/32<br>.XXX = ± .010<br><br>REMOVE BURRS AND BREAK EDGES .005<br><br>DO NOT SCALE THIS PRINT | DRAWN BY:<br>ACG      | SHEET:<br>1 of 1      | PART NUMBER:<br>TPG412-SERIES                        |
|   | CHECKED BY:<br>TP     | SCALE:<br>NTS         | DESCRIPTION:<br>Ø 4-1/2" O.D. PIPE MOUNT TRIPOD BASE |
|   | DATE:<br>08/09/06     | MATERIAL:<br>A36, A53 | DRAWING TYPE:<br>ASSEMBLY DRAWING                    |
|   | REVISION:<br><b>D</b> | FINISH:<br>GALV A123  | WEIGHT:<br>254.72 LBS                                |