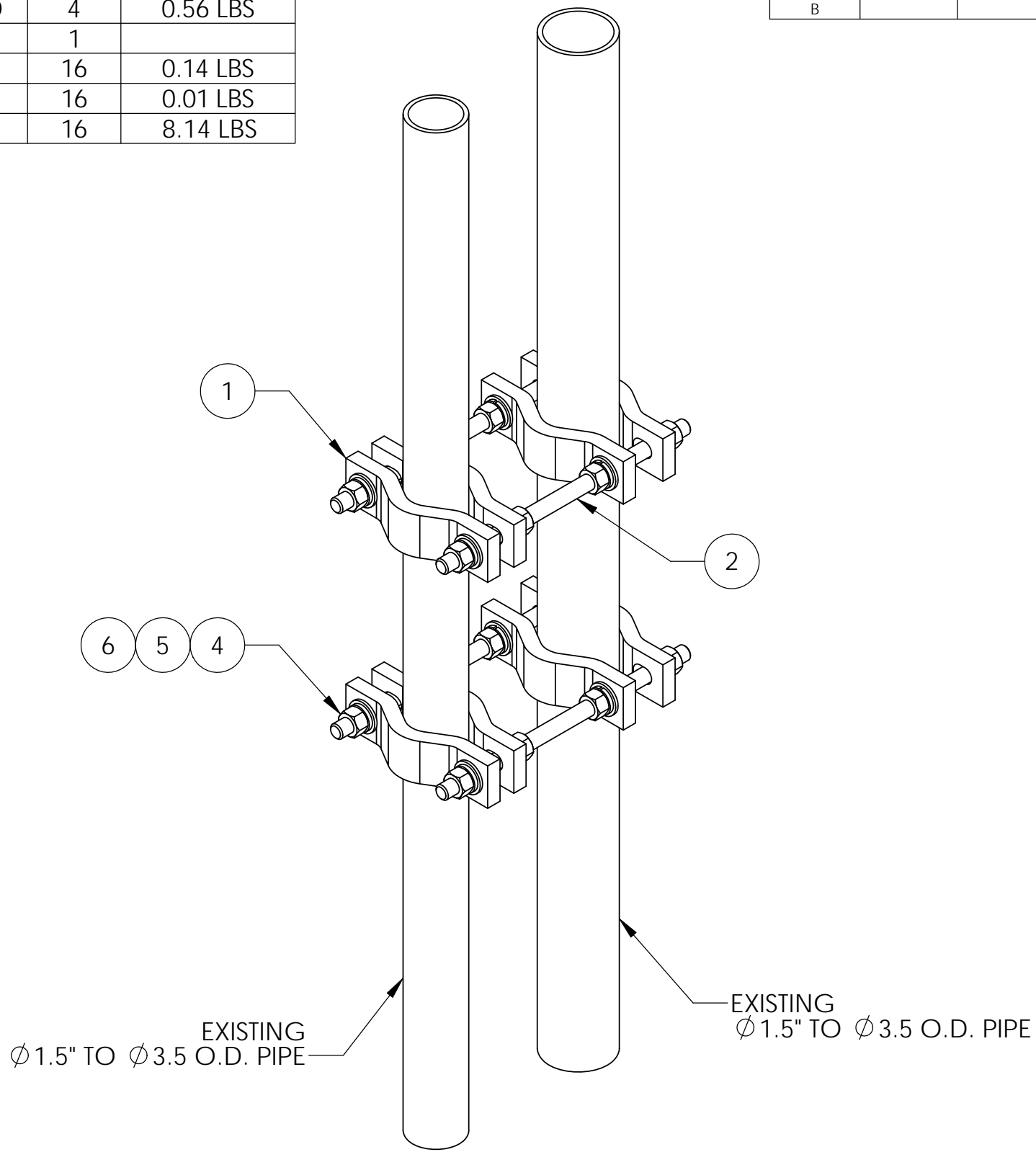


ITEM	PART NO.	DESCRIPTION	QTY.	WEIGHT
1	SCP10	SMALL DISH CLAMP HALF	8	1.20 LBS
2	MT-379-10	1/2" X 10" GALV THREADED ROD	4	0.56 LBS
3	HB1216	HARDWARE KIT (ITEMS 4-6)	1	
4	GN04A	1/2" GALV HEX NUT (A325)	16	0.14 LBS
5	GWL-04	1/2" GALV LOCK WASHER	16	0.01 LBS
6	GWF04A	1/2" GALV FLAT WASHER (A325)	16	8.14 LBS

REVISIONS				
REV.	ZONE	DESCRIPTION	BY	DATE
A		INITIAL RELEASE	MLO	08/05/99
B		REDRAWN & REVISED	DMW	04/25/01



These drawings and specifications are proprietary property and may be used only for the specific purpose authorized in writing.  ALL DIMENSIONS ARE IN INCHES U.O.S. TOLERANCES UNLESS OTHERWISE SPECIFIED: .X = ± .06      ANGLES      ±2° .XX = ± .03      FRACTIONS      ±1/32 .XXX = ± .010  REMOVE BURRS AND BREAK EDGES .005  DO NOT SCALE THIS PRINT	DRAWN BY: ACG	SHEET: 1 of 1	PART NUMBER: BC3010
	CHECKED BY: CC	SCALE: NTS	DESCRIPTION: PIPE TO PIPE CLAMP, HEAVY DUTY
	DATE: 10/14/05	MATERIAL: A36	DRAWING TYPE: ASSEMBLY DRAWING
	REVISION: <b>B</b>	FINISH: GALV A123	
		WEIGHT: 32.19 LBS	