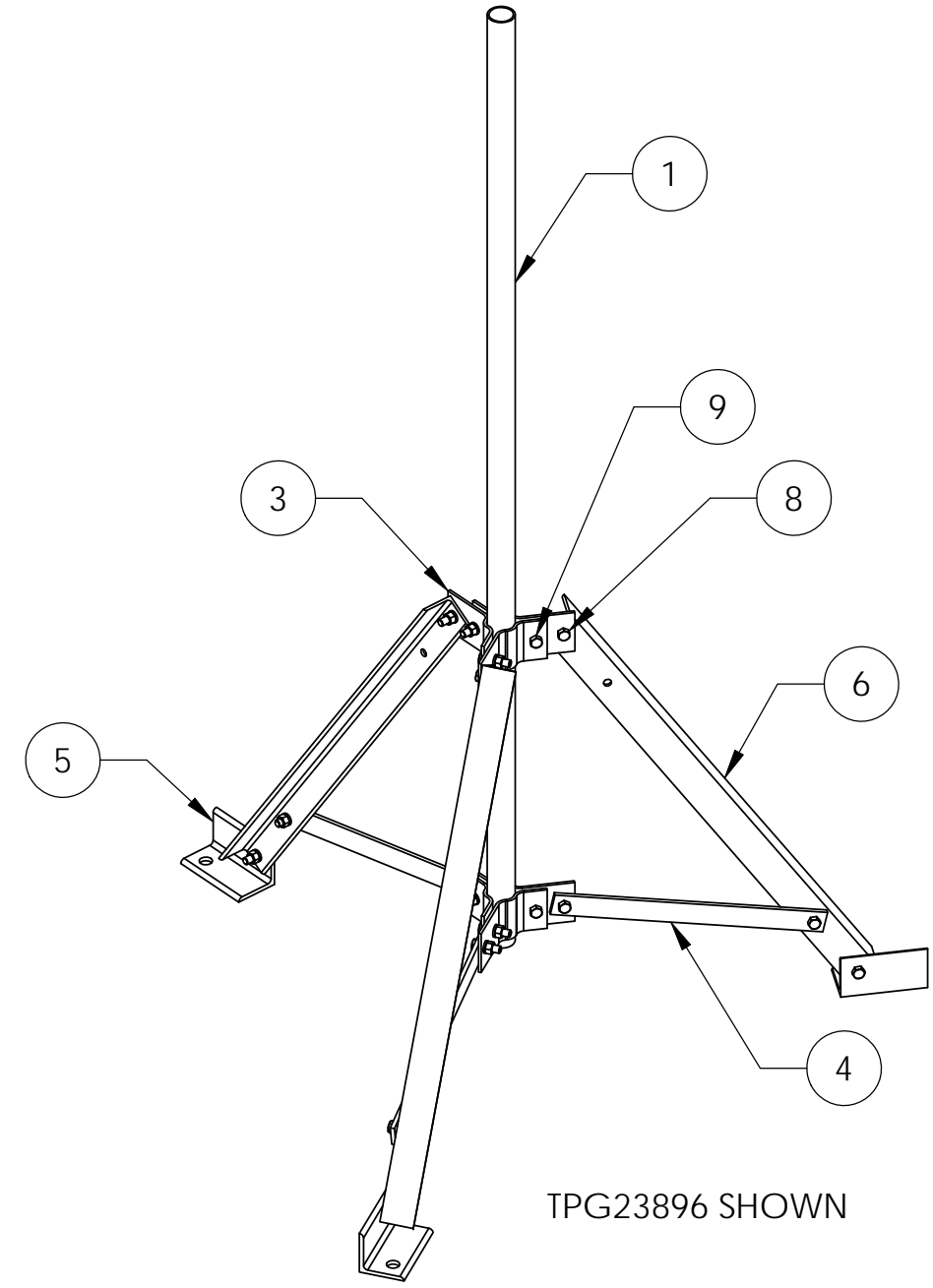
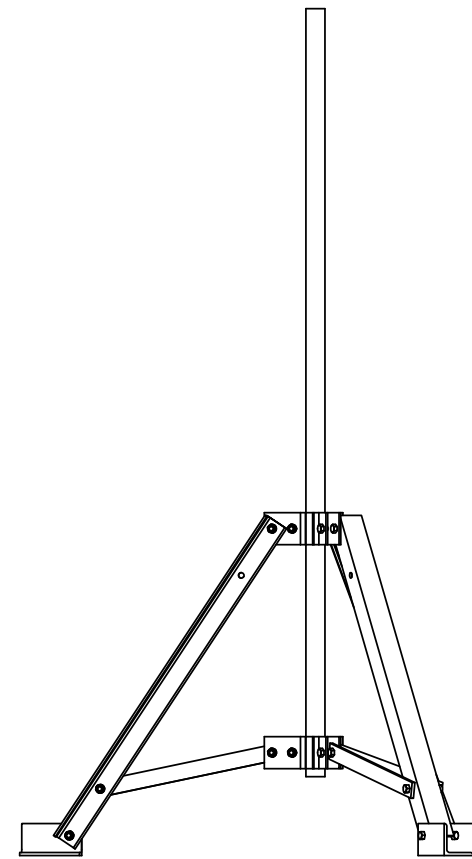
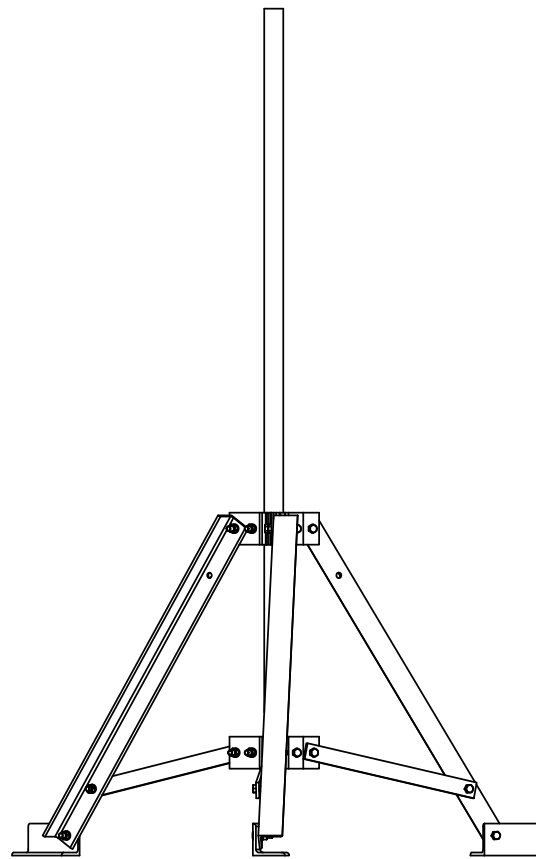
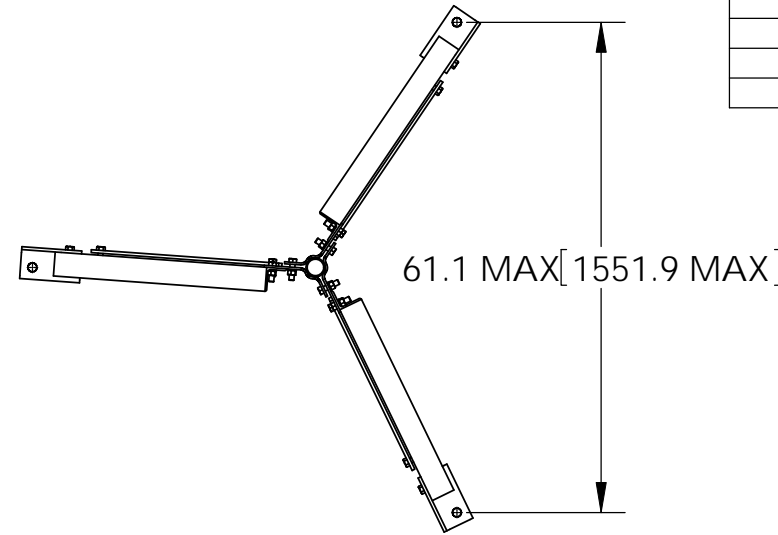


| ITEM | PART NO. | DESCRIPTION | QUANTITIES | | | | WEIGHT |
|------|------------|-----------------------------|------------|----------|----------|-----------|-----------|
| | | | TPG238B | TPG23872 | TPG23896 | TPG238126 | |
| 1 | MT651 | 2.375" OD x 72" PIPE | - | 1 | - | - | 21.80 LBS |
| 1 | MT65196 | Ø2.375" OD X 96" PIPE | - | - | 1 | - | 29.07 LBS |
| 1 | MT537 | Ø2.375" OD x 126" PIPE | - | - | - | 1 | 38.49 LBS |
| 2 | TPG238BHK | HARDWARE KIT (ITEMS 4-7) | 1 | 1 | 1 | 1 | - |
| 3 | TPG238B.02 | 2-3/8" TRIPOD CLAMP | 6 | 6 | 6 | 6 | 2.64 LBS |
| 4 | TPG412B.04 | TRIPOD BRACE | 3 | 3 | 3 | 3 | 4.99 LBS |
| 5 | TPG412B.07 | TRIPOD FOOT | 3 | 3 | 3 | 3 | 5.84 LBS |
| 6 | TPG412B.03 | TRIPOD LEG ANGLE | 3 | 3 | 3 | 3 | 19.26 LBS |
| 7 | TPG238BH | HARDWARE KIT (ITEMS 8-9) | 1 | 1 | 1 | 1 | - |
| 8 | GB05205 | 5/8" X 2" GALV BOLT KIT | 12 | 12 | 12 | 12 | 0.27 LBS |
| 9 | GB05225 | 5/8" X 2-1/4" GALV BOLT KIT | 6 | 6 | 6 | 6 | 0.29 LBS |

| REVISIONS | | | | |
|-----------|------|--|-----|----------|
| REV. | ZONE | DESCRIPTION | BY | DATE |
| B | | REDRAWN & REVISED | DMW | 05/29/01 |
| C | | UPDATE PART LIST | ACG | 02/24/04 |
| D | | VIEWS ADDED, REDRAWN IN SOLIDWORKS | ACG | 08/09/06 |
| E | | UPDATE TRIPOD KICKER LEG & TRIPOD FOOT | ACG | 10/17/07 |
| F | | UPDATED KICKER LEG | DRR | 02/28/13 |



NOTES:
1. ALL METRIC DIMENSIONS ARE IN BRACKETS.

| | | | |
|---|-----------------------|-----------------------|---|
| These drawings and specifications are proprietary property and may be used only for the specific purpose authorized in writing. ALL DIMENSIONS ARE IN INCHES U.O.S. TOLERANCES UNLESS OTHERWISE SPECIFIED: .X = ± .06 ANGLES ±2° .XX = ± .03 FRACTIONS ±1/32 .XXX = ± .010 REMOVE BURRS AND BREAK EDGES .005 DO NOT SCALE THIS PRINT | DRAWN BY: ACG | SHEET: 1 of 1 | PART NUMBER: TPG238-Series |
| | CHECKED BY: TP | SCALE: NTS | DESCRIPTION: Ø2-3/8" O.D. PIPE MOUNT TRIPOD BASE |
| | DATE: 08/09/06 | MATERIAL: A36, A53 | DRAWING TYPE: ASSEMBLY DRAWING |
| | REVISION: F | FINISH: GALV A123 | WEIGHT: 142.02 LBS |