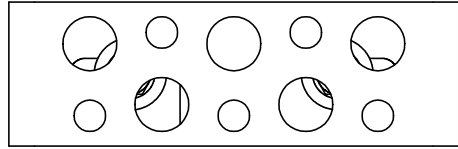
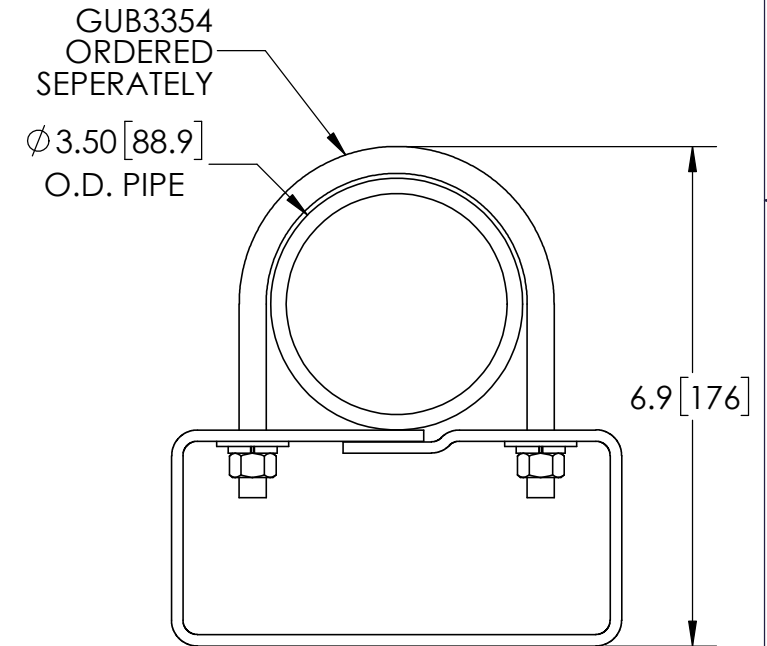
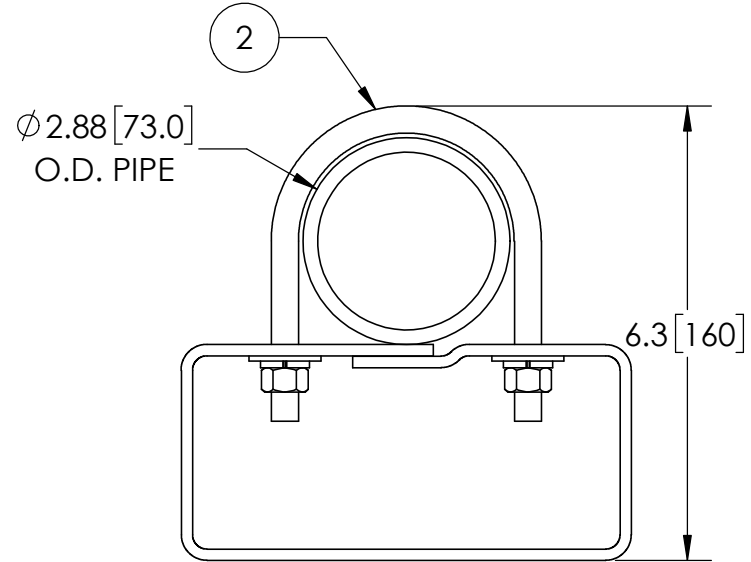
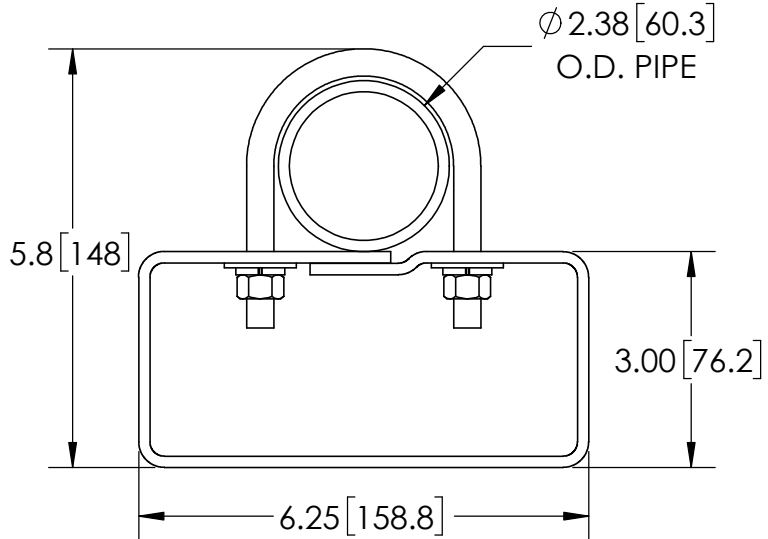
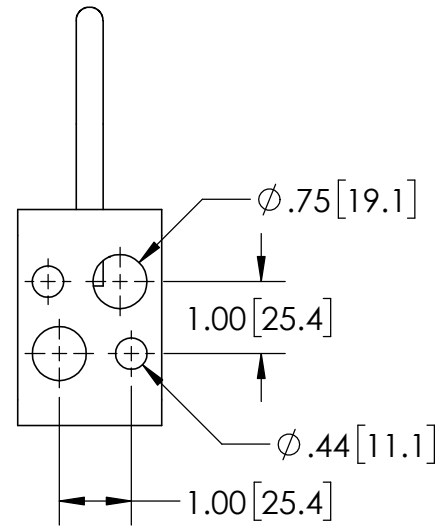
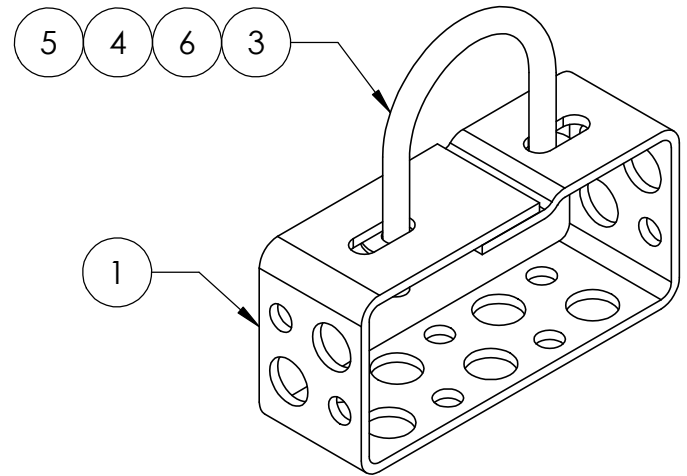
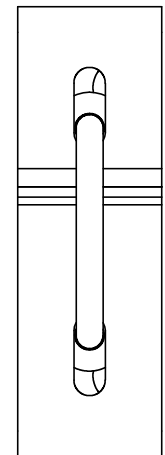


ITEM	PART NO.	DESCRIPTION	QTY.	WEIGHT
1	PBPM09.01	PIM Blocker™ Pipe Mount Cable Organizer - 9 Hole	1	1.38 LBS
2	GUB3304.01	3/8"-16 UNC X 3" X 4" GALV U-BOLT KIT	1	0.32 LBS
3	GUB3244.01	3/8"-16 UNC X 2-1/2" X 3" GALV U-BOLT KIT	1	0.28 LBS
4	GWL03	3/8" GALV LOCK WASHER	2	0.01 LBS
5	GN03	3/8-16 UNC GALV HEX NUT (Gr.5)	2	0.02 LBS
6	GWFO3	3/8" GALV USS FLAT WASHER	3	0.01 LBS

REVISIONS				
REV.	ZONE	DESCRIPTION	BY	DATE
A		PRELIMINARY	ACG	09/22/21
B		ADDED TORQUE	ACG	12/13/21



NOTES:
 1. ALL METRIC DIMENSIONS ARE IN BRACKETS.
 2. ALL DIMENSIONS ARE FOR REFERENCE ONLY.
 3. TORQUE HARDWARE TO 10 ft-lbs TO 15 ft-lbs.

These drawings and specifications are proprietary property and may be used only for the specific purpose authorized in writing. ALL DIMENSIONS ARE IN INCHES U.O.S. TOLERANCES UNLESS OTHERWISE SPECIFIED: .X = ± .06 ANGLES ±2° .XX = ± .03 FRACTIONS ±1/32 .XXX = ± .010 REMOVE BURRS AND BREAK EDGES .005 DO NOT SCALE THIS PRINT	DRAWN BY: ACG	SHEET: 1 of 1	PART NUMBER: PBPM09
	CHECKED BY: MKV	SCALE: NTS	DESCRIPTION: PIM Blocker™ Pipe Mount Cable Organizer, 9 Hole
	DATE: 07/22/21	MATERIAL: ASTM A1011/A1018 Gr.36	DRAWING TYPE: ASSEMBLY DRAWING
	REVISION: B	FINISH: ASTM A123	WEIGHT: 2.11 LBS