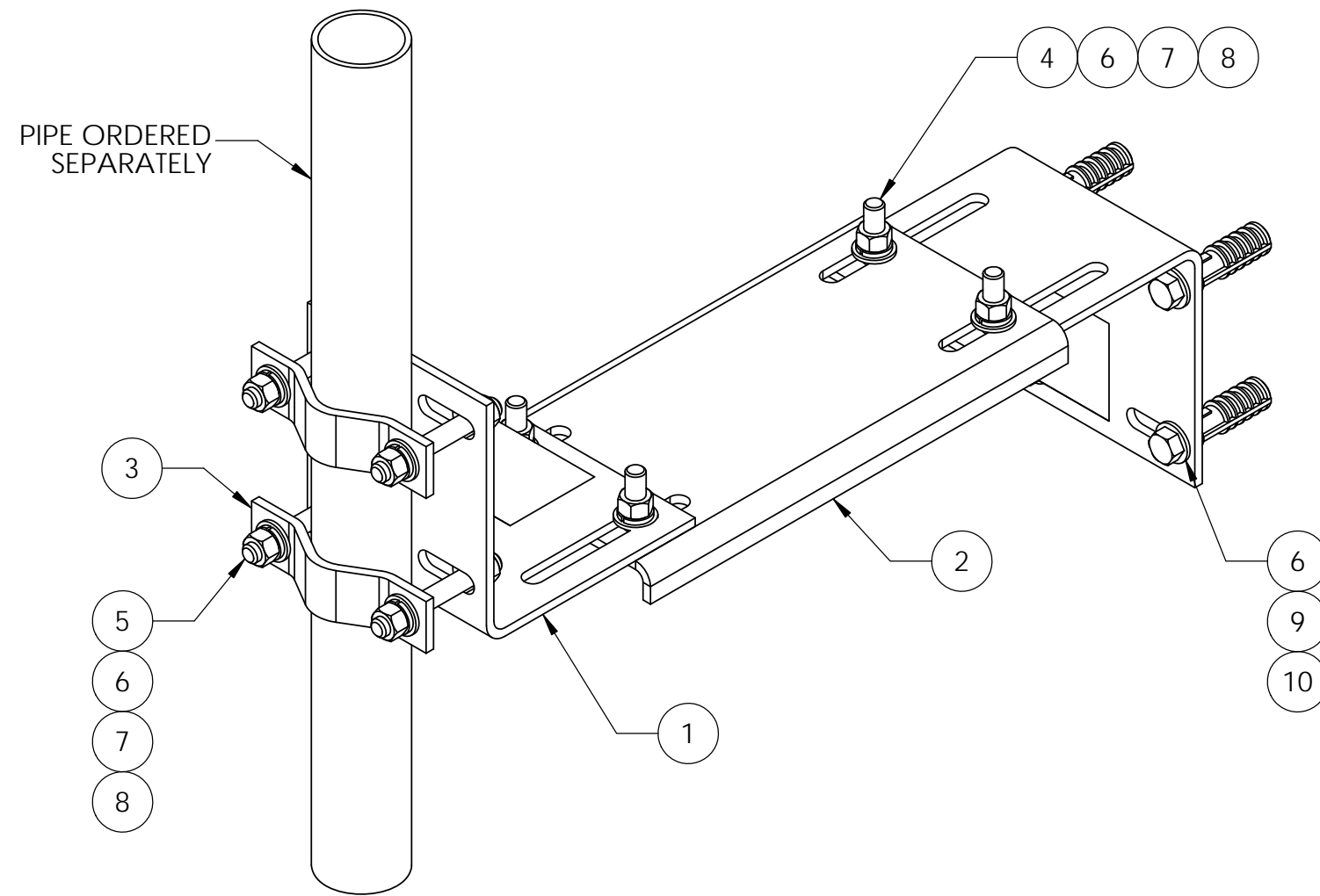


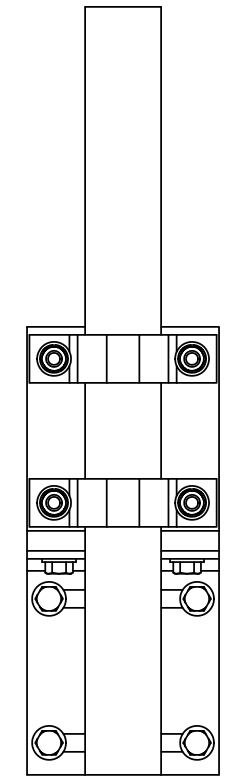
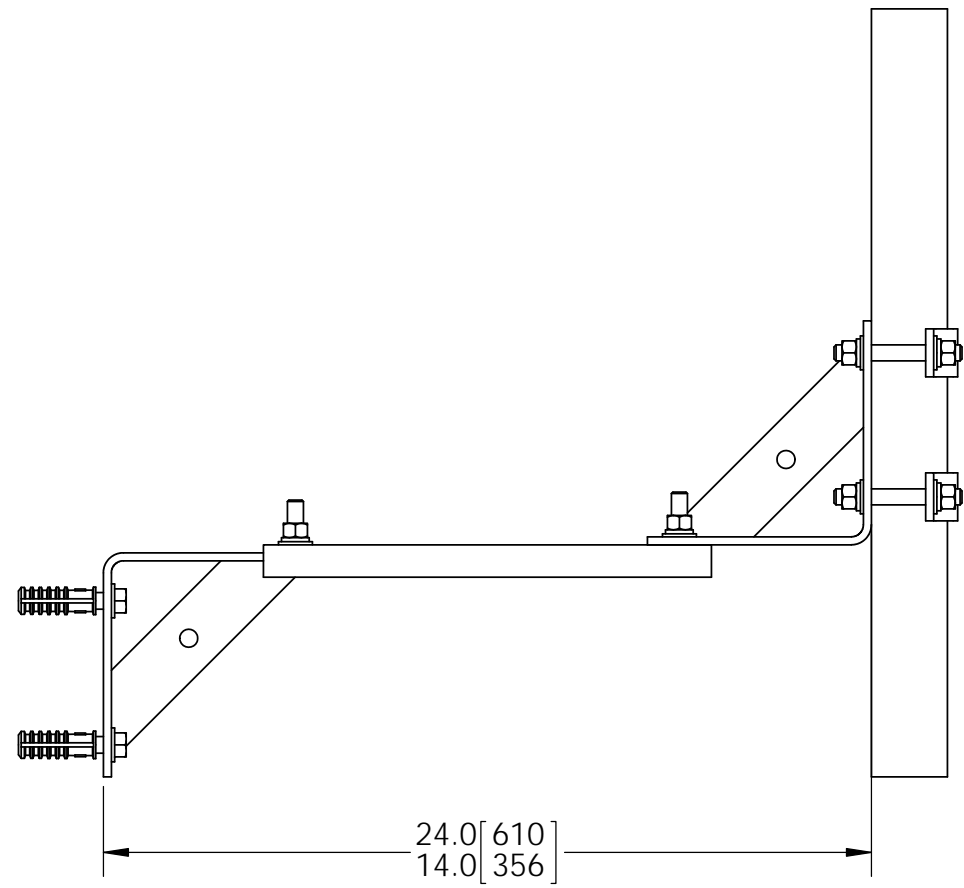
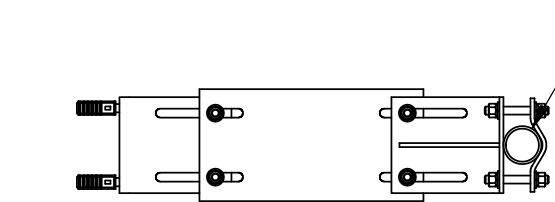
| ITEM | PART NO. | DESCRIPTION | QTY. | WEIGHT |
|------|------------|--|------|----------|
| 1 | WMU.01 | WALL MOUNT BRACKET | 2 | 6.12 LBS |
| 2 | WMU.03 | EXTENSION PLATE | 1 | 7.84 LBS |
| 3 | ACP10 | 1.5" - 3.5" O.D. CLAMP HALF | 2 | 0.61 LBS |
| 4 | GB04205.01 | 1/2-13 UNC X 2" GALV HEX BOLT (GRADE 5) | 4 | 0.16 LBS |
| 5 | GD04400A36 | 1/2"-13 UNC x 4" Galv Threaded Rod (A36) | 4 | 0.22 LBS |
| 6 | GWF04 | 1/2" GALV FLAT WASHER | 20 | 0.02 LBS |
| 7 | GWL04 | 1/2" GALV LOCK WASHER | 12 | 0.01 LBS |
| 8 | GN04 | 1/2-13 UNC GALV HEX NUT (GRADE 5) | 12 | 0.04 LBS |
| 9 | GLS0424 | 1/2" X 2-1/2" GALV LAG SCREW | 4 | 0.15 LBS |
| 10 | LSG04S | 1/2" SHORT GALV LAG SHIELD | 4 | 0.13 LBS |

| REVISIONS | | | | | |
|-----------|-----|------|---|-----|----------|
| REV. | ECN | ZONE | DESCRIPTION | BY | DATE |
| A | | | INITIAL RELEASE | ACG | 04/13/15 |
| B | | | UPDATE THREADED ROD PART NUMBER FROM MT-379-4 | ACG | 06/09/17 |



PIPE ORDERED SEPARATELY

Ø 2.38 MAX [60.3 MAX]
PIPE O.D.



NOTES:
1. ALL METRIC DIMENSIONS ARE IN BRACKETS.

| | | | |
|---|-------------------|-----------------------|--|
| These drawings and specifications are proprietary property and may be used only for the specific purpose authorized in writing. ALL DIMENSIONS ARE IN INCHES U.O.S. TOLERANCES UNLESS OTHERWISE SPECIFIED: .X = ± .06 ANGLES ±2° .XX = ± .03 FRACTIONS ±1/32 .XXX = ± .010 REMOVE BURRS AND BREAK EDGES .005 DO NOT SCALE THIS PRINT | DRAWN BY: ACG | SHEET: 1 of 1 | PART NUMBER: WMU24S |
| | CHECKED BY: CC | SCALE: NTS | DESCRIPTION: UNIVERSAL LIGHT DUTY SOLID WALL MOUNT, 14"-24" |
| | DATE: 04/13/15 | MATERIAL: ASTM A36 | DRAWING TYPE: ASSEMBLY DRAWING |
| | REVISION: B | FINISH: ASTM A123 | WEIGHT: 25.02 LBS |