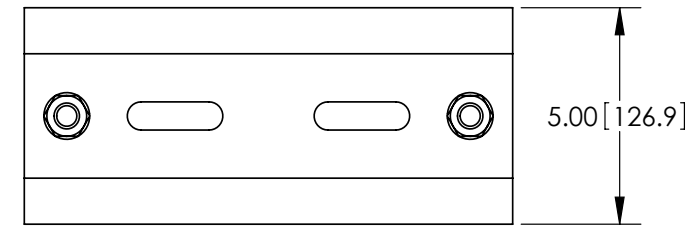
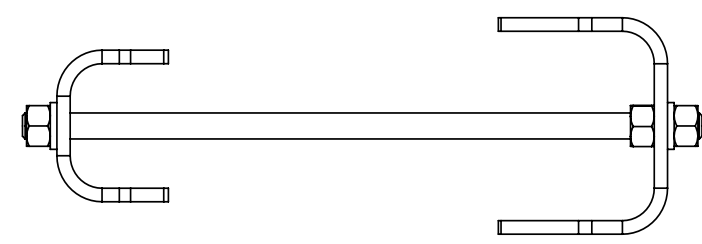
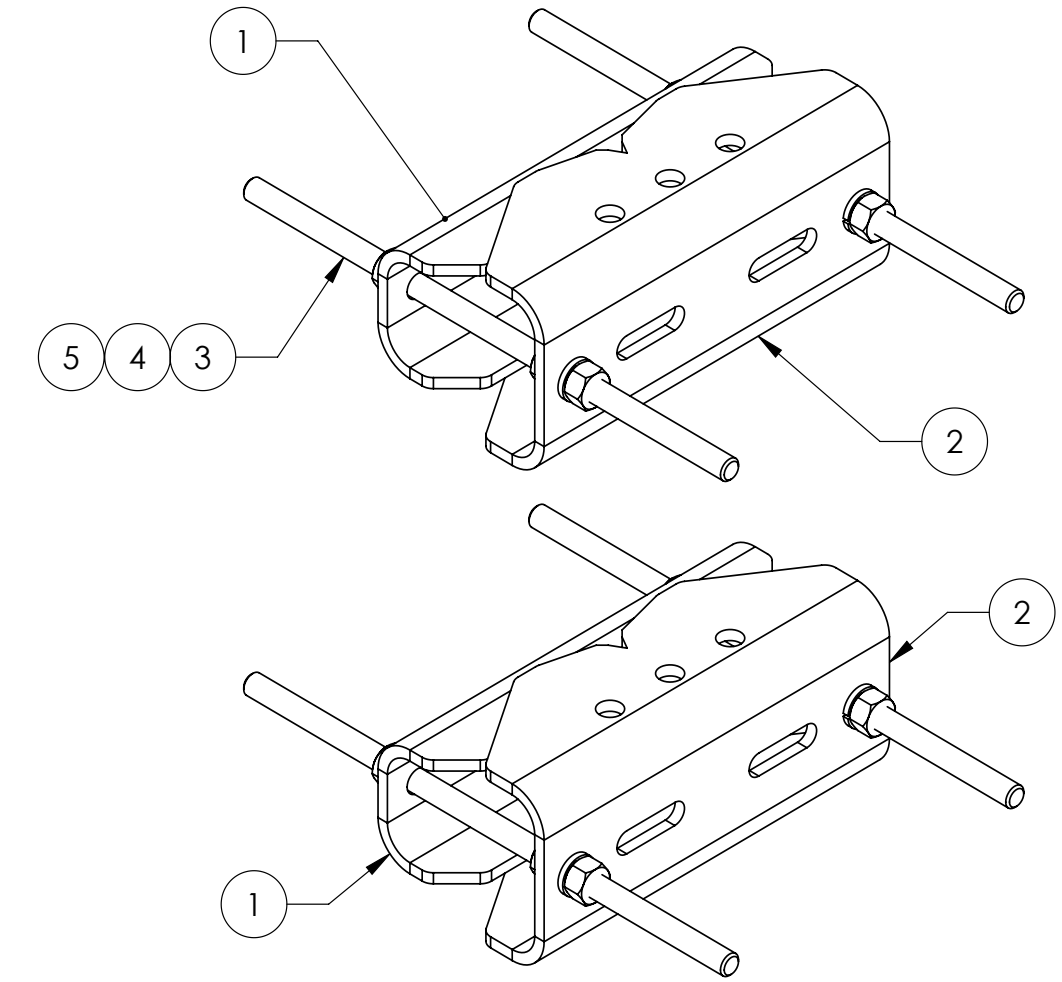
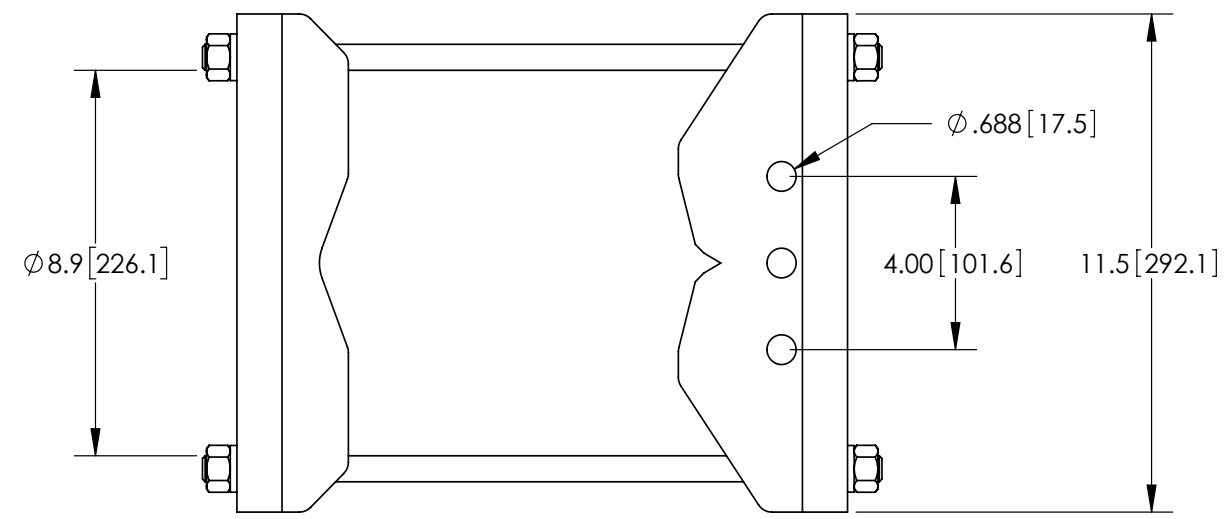


ITEM	PART NO.	DESCRIPTION	QTY.	WEIGHT	NOTE NO.
1	MTC397521	CLAMP, BACK	2	6.94 LBS	
2	MTC397522	CLAMP, FRONT MOUNTING	2	10.02 LBS	
3	MT38216	5/8" X 16" THREADED ROD	4	1.28 LBS	
4	GN05	5/8" GALV HEX NUT	12	0.08 LBS	
5	GWL05	5/8" GALV LOCK WASHER	8	0.03 LBS	



REVISIONS					
REV.	ECN	ZONE	DESCRIPTION	BY	DATE
W			UPDATE HARDWARE	ACG	03/25/22



NOTES:
1.0 ALL METRIC DIMENSIONS ARE IN BRACKETS.

These drawings and specifications are proprietary property and may be used only for the specific purpose authorized in writing. ALL DIMENSIONS ARE IN INCHES U.O.S. TOLERANCES UNLESS OTHERWISE SPECIFIED: .X = ± .06 ANGLES ±2° .XX = ± .03 FRACTIONS ±1/32 .XXX = ± .010 REMOVE BURRS AND BREAK EDGES .005 DO NOT SCALE THIS PRINT	DRAWN BY: ACG	SHEET: 1 of 1	PART NUMBER: SMU2080
	CHECKED BY: MKV	SCALE: NTS	DESCRIPTION: UNIVERSAL SADDLE MOUNT
	DATE: 03/25/22	MATERIAL: ASTM A1011 Gr.36	DRAWING TYPE: ASSEMBLY DRAWING
	REVISION: W	FINISH: ASTM A123	WEIGHT: 47.8 LBS