

REVISIONS

REV.	ECO	DESCRIPTION	BY	DATE
A	MTW	INITIAL RELEASE	ACG	10/17/11

ITEM	PART NUMBER	DESCRIPTION	QTY
1		Angle, Gripstrut, 74" Long	9
2		Angle, Incline, 37.5" Long	4
3		Angle, Horizontal, 49.5" Long	2
4		Plate, Tube Mount, 7 x 14" Plate	2
5		Plate, Bottom Angle Connector, 1/4" Plate	4
6		Plate, Side Angle Connector, 1/4" Plate	4
7		Sq Tube, 120" Long	1
8		Plate-Guy Wire, 4.5" Plate	3
9		Corner Clip Angle, 3 x 3	4
10		Cross Pipe Plate	1
11		Half Clamp, Medium	3
12		Grating, 24" x 2" x 72" Long	4
*		Grating, 12" x 2" x 72" Long	2
13		J-BOLT-3/8"	24
14		3/8" HEX NUT	24
15		3/8" LOCK WASHER	24
16		3/8" FLAT WASHER	24
17		1/2" Sq U-Bolt for 3" Sq Tube, Grade 5	6
18		Threaded Rod, 1/2" x 8", HDG	2
19		Bolt, 1/2" x 1-1/2" (A325) HH HDG	58
20		Nut, Hex, 1/2" HDG	74
21		Flat Washer, 1/2" HDG	74
22		Lock Washer, 1/2" HDG	74
23		Threaded Rod, 5/8" x 8", HDG	4
24		Nut, Hex, 5/8" HDG	8
25		Flat Washer, 5/8" HDG	8
26		Lock Washer, 5/8" HDG	8
27		Guy Wire	100'
28		Shackle	3
29		Thimble	6
30		Cable Clip	12
31		Jaw/Eye Turnbuckle	3
32		Angle, Incline Brace, 80.41" Long	2
33		Angle, Horizontal Brace, 84.03" Long	1
34		Shim Plate	2
35		Plate for Securing Grating	6

THIS DOCUMENT CONTAINS PROPRIETARY DATA  
NO DISCLOSURE,  
REPRODUCTION, OR USE OF ANY PART THEREOF MAY  
BE MADE EXCEPT BY WRITTEN PERMISSION.

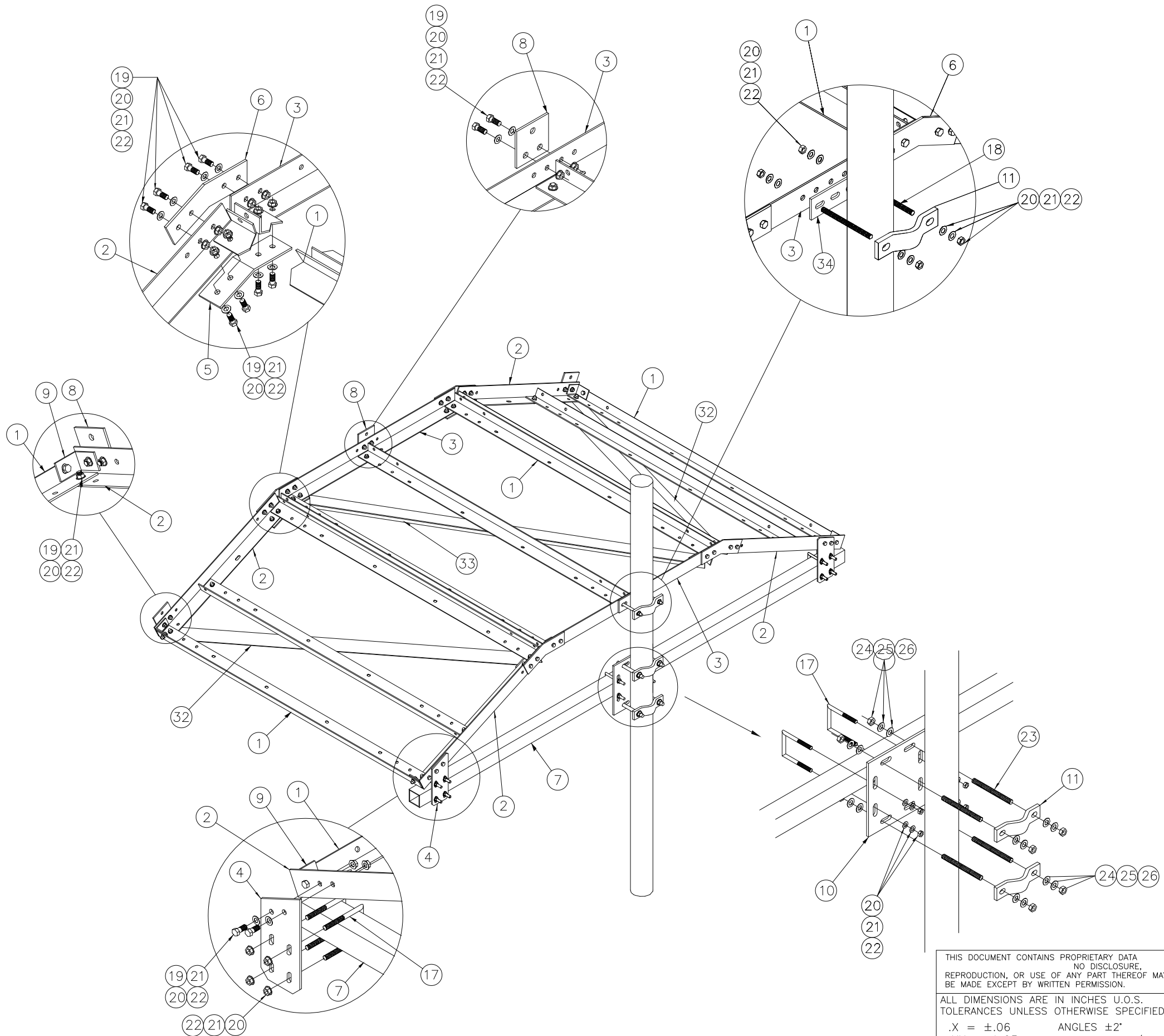
ALL DIMENSIONS ARE IN INCHES U.O.S.  
TOLERANCES UNLESS OTHERWISE SPECIFIED:  
.X = ±.06      ANGLES ±2'  
.XX = ±.03      FRACTIONS ±1/32  
.XXX = ±.010

REMOVE BURRS AND BREAK EDGES .005

DO NOT SCALE THIS PRINT

DRAWN BY: ACG	DATE: 10/17/11	PART NUMBER: <b>MIS8C</b>
CHECKED BY: CC	SHEET: 1 OF 3	DESCRIPTION: 8' ICE SHIELD, CURVED DESIGN
REVISION: <b>A</b>	SCALE: NTS	Drawing Type: Assembly Drawing
	MATERIAL: A36, A500	
	FINISH: Galv A123	

REVISIONS				
REV.	ECO	DESCRIPTION	BY	DATE
A	MTW	INITIAL RELEASE	ACG	10/17/11



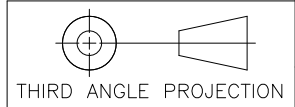
ITEM	PART NUMBER	DESCRIPTION	QTY
1		Angle, Gripstrut, 74" Long	9
2		Angle, Incline, 37.5" Long	4
3		Angle, Horizontal, 49.5" Long	2
4		Plate, Tube Mount, 7 x 14" Plate	2
5		Plate, Bottom Angle Connector, 1/4" Plate	4
6		Plate, Side Angle Connector, 1/4" Plate	4
7		Sq Tube, 120" Long	1
8		Plate-Guy Wire, 4.5" Plate	3
9		Corner Clip Angle, 3 x 3	4
10		Cross Pipe Plate	1
11		Half Clamp, Medium	3
12		Grating, 24" x 2" x 72" Long	4
*		Grating, 12" x 2" x 72" Long	2
13		J-BOLT-3/8"	24
14		3/8" HEX NUT	24
15		3/8" LOCK WASHER	24
16		3/8" FLAT WASHER	24
17		1/2" Sq U-Bolt for 3" Sq Tube, Grade 5	6
18		Threaded Rod, 1/2" x 8", HDG	2
19		Bolt, 1/2" x 1-1/2" (A325) HH HDG	58
20		Nut, Hex, 1/2" HDG	74
21		Flat Washer, 1/2" HDG	74
22		Lock Washer, 1/2" HDG	74
23		Threaded Rod, 5/8" x 8", HDG	4
24		Nut, Hex, 5/8" HDG	8
25		Flat Washer, 5/8" HDG	8
26		Lock Washer, 5/8" HDG	8
27		Guy Wire	100'
28		Shackle	3
29		Thimble	6
30		Cable Clip	12
31		Jaw/Eye Turnbuckle	3
32		Angle, Incline Brace, 80.41" Long	2
33		Angle, Horizontal Brace, 84.03" Long	1
34		Shim Plate	2
35		Plate for Securing Grating	6

THIS DOCUMENT CONTAINS PROPRIETARY DATA  
NO DISCLOSURE,  
REPRODUCTION, OR USE OF ANY PART THEREOF MAY  
BE MADE EXCEPT BY WRITTEN PERMISSION.

ALL DIMENSIONS ARE IN INCHES U.O.S.  
TOLERANCES UNLESS OTHERWISE SPECIFIED:  
.X = ±.06      ANGLES ±2'  
.XX = ±.03      FRACTIONS ±1/32  
.XXX = ±.010

REMOVE BURRS AND BREAK EDGES .005

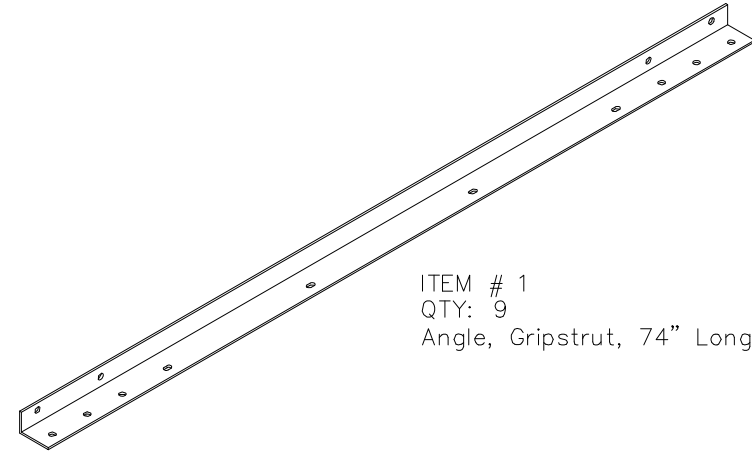
DO NOT SCALE THIS PRINT



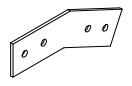
DRAWN BY: ACG	DATE: 10/17/11	PART NUMBER: <b>MIS8C</b>
CHECKED BY: CC	SHEET: 2 OF 3	DESCRIPTION: 8' ICE SHIELD, CURVED DESIGN
REVISION: <b>A</b>	SCALE: NTS	Drawing Type: Assembly Drawing
	MATERIAL: A36, A500	
	FINISH: Galv A123	

REVISIONS				
REV.	ECO	DESCRIPTION	BY	DATE
A	MTW	INITIAL RELEASE	ACG	10/17/11

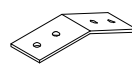
ITEM	PART NUMBER	DESCRIPTION	QTY
1		Angle, Gripstrut, 74" Long	9
2		Angle, Incline, 37.5" Long	4
3		Angle, Horizontal, 49.5" Long	2
4		Plate, Tube Mount, 7 x 14" Plate	2
5		Plate, Bottom Angle Connector, 1/4" Plate	4
6		Plate, Side Angle Connector, 1/4" Plate	4
7		Sq Tube, 120" Long	1
8		Plate-Guy Wire, 4.5" Plate	3
9		Corner Clip Angle, 3 x 3	4
10		Cross Pipe Plate	1
11		Half Clamp, Medium	3
12		Grating, 24" x 2" x 72" Long	4
*		Grating, 12" x 2" x 72" Long	2
13		J-BOLT-3/8"	24
14		3/8" HEX NUT	24
15		3/8" LOCK WASHER	24
16		3/8" FLAT WASHER	24
17		1/2" Sq U-Bolt for 3" Sq Tube, Grade 5	6
18		Threaded Rod, 1/2" x 8", HDG	2
19		Bolt, 1/2" x 1-1/2" (A325) HH HDG	58
20		Nut, Hex, 1/2" HDG	74
21		Flat Washer, 1/2" HDG	74
22		Lock Washer, 1/2" HDG	74
23		Threaded Rod, 5/8" x 8", HDG	4
24		Nut, Hex, 5/8" HDG	8
25		Flat Washer, 5/8" HDG	8
26		Lock Washer, 5/8" HDG	8
27		Guy Wire	100'
28		Shackle	3
29		Thimble	6
30		Cable Clip	12
31		Jaw/Eye Turnbuckle	3
32		Angle, Incline Brace, 80.41" Long	2
33		Angle, Horizontal Brace, 84.03" Long	1
34		Shim Plate	2
35		Plate for Securing Grating	6



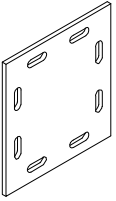
ITEM # 1  
QTY: 9  
Angle, Gripstrut, 74" Long



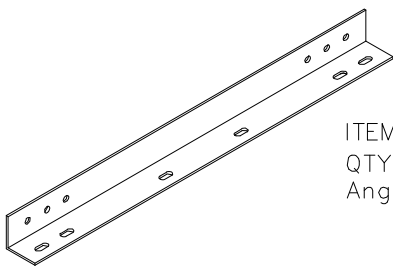
ITEM # 6  
QTY: 4  
Plate, Side Angle Connector, 1/4" Plate



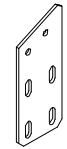
ITEM # 5  
QTY: 4  
Plate, Bottom Angle Connector, 1/4" Plate



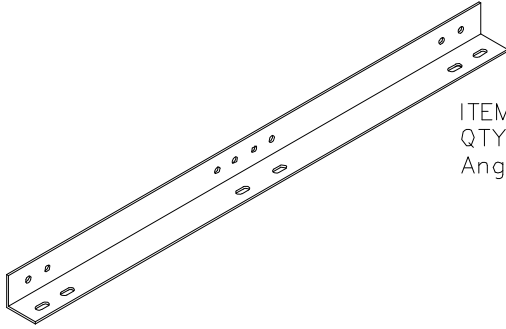
ITEM # 10  
QTY: 1  
Cross Pipe Plate



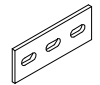
ITEM # 2  
QTY: 4  
Angle, Incline, 37.5" Long



ITEM # 4  
QTY: 2  
Plate, Tube Mount, 7 x 14" Plate



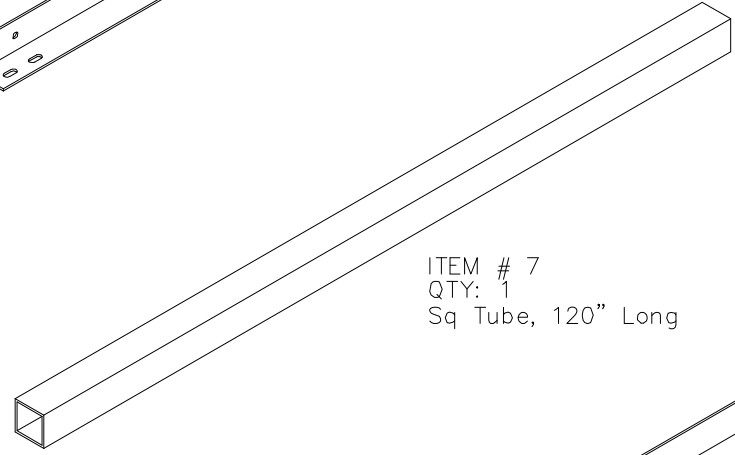
ITEM # 3  
QTY: 2  
Angle, Horizontal, 48.5" Long



ITEM # 34  
QTY: 2  
Shim Plate



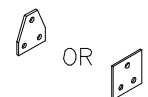
ITEM # 9  
QTY: 4  
Corner Clip Angle, 3 x 3



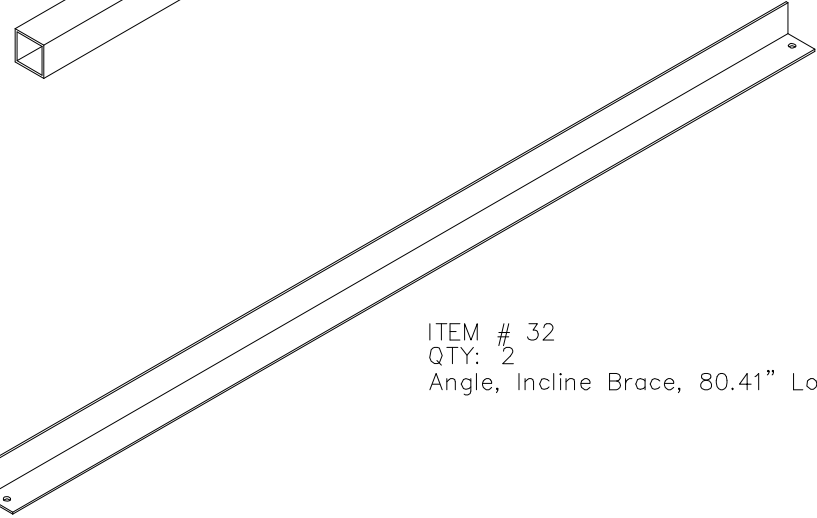
ITEM # 7  
QTY: 1  
Sq Tube, 120" Long



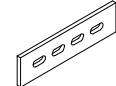
ITEM # 11  
QTY: 3  
Half Clamp, Medium



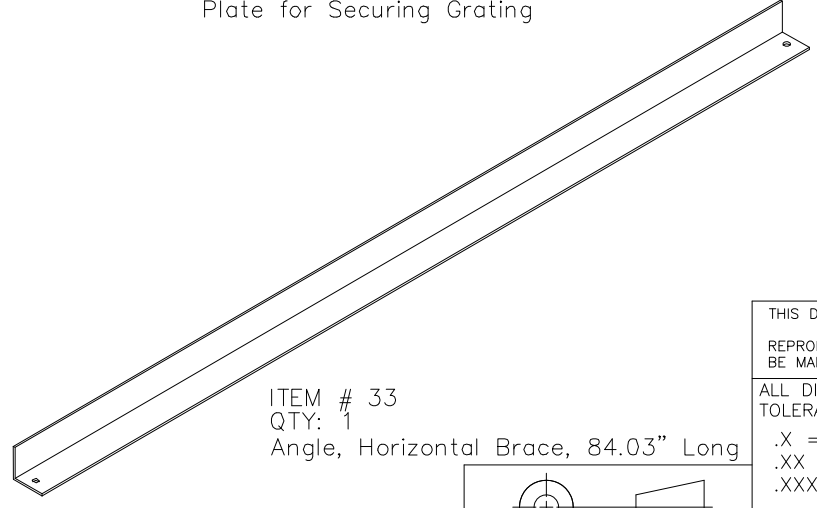
ITEM # 8  
QTY: 3  
Plate-Guy Wire, 4.5" Plate



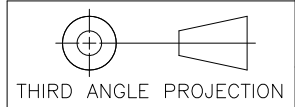
ITEM # 32  
QTY: 2  
Angle, Incline Brace, 80.41" Long



ITEM # 35  
QTY: 6  
Plate for Securing Grating



ITEM # 33  
QTY: 1  
Angle, Horizontal Brace, 84.03" Long



THIS DOCUMENT CONTAINS PROPRIETARY DATA  
NO DISCLOSURE,  
REPRODUCTION, OR USE OF ANY PART THEREOF MAY  
BE MADE EXCEPT BY WRITTEN PERMISSION.

ALL DIMENSIONS ARE IN INCHES U.O.S.  
TOLERANCES UNLESS OTHERWISE SPECIFIED:  
.X = ±.06 ANGLES ±2'  
.XX = ±.03 FRACTIONS ±1/32  
.XXX = ±.010

REMOVE BURRS AND BREAK EDGES .005

DO NOT SCALE THIS PRINT

DRAWN BY:  
ACG

CHECKED BY:  
CC

REVISION:  
**A**

DATE:  
10/17/11

SHEET:  
3 OF 3

SCALE:  
NTS

MATERIAL:  
A36, A500

FINISH:  
Galv A123

PART NUMBER:  
**MIS8C**

DESCRIPTION:  
8' ICE SHIELD, CURVED DESIGN

Drawing Type:  
Assembly Drawing