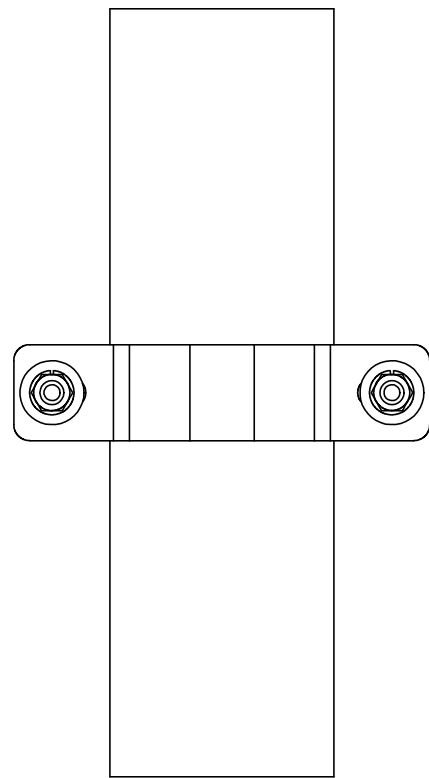
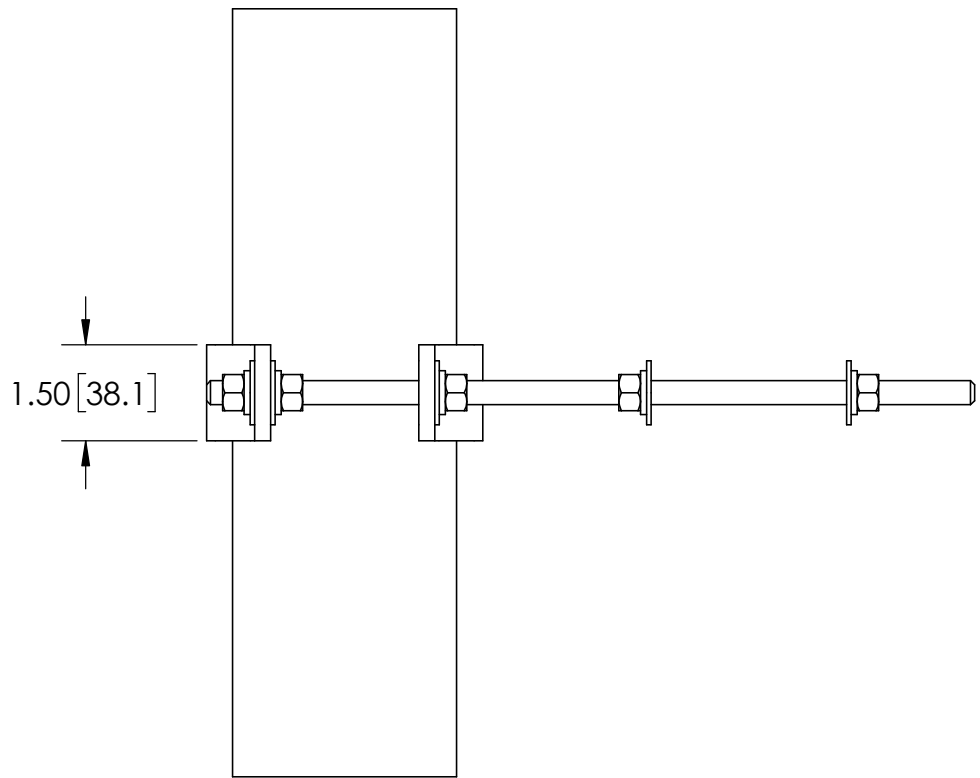
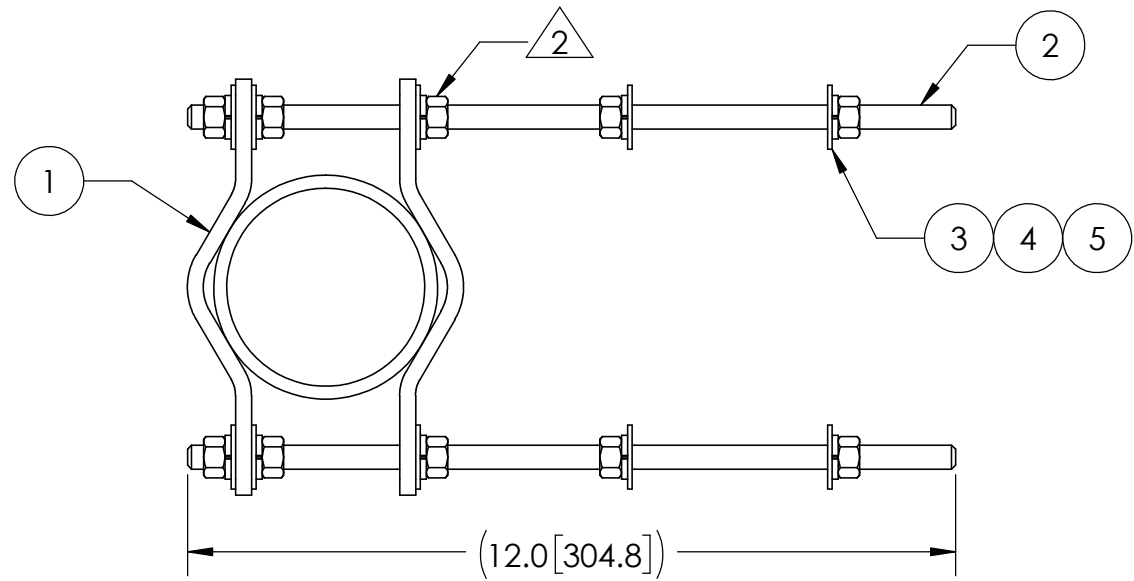
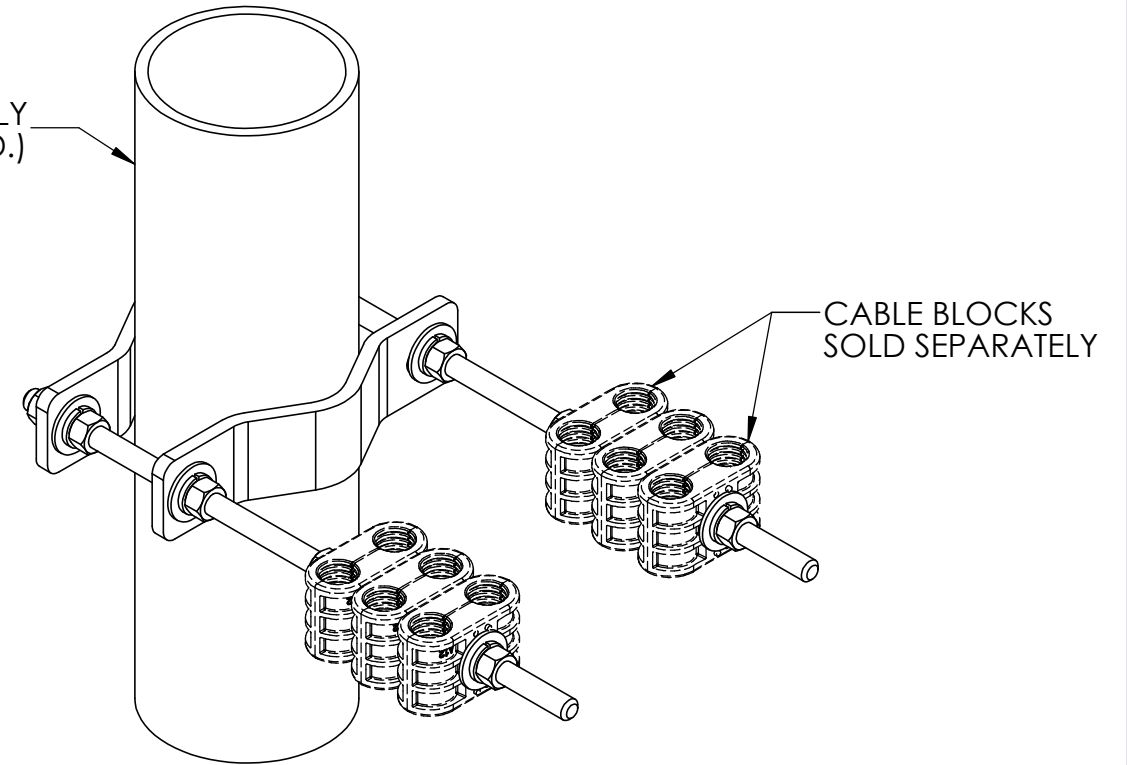


ITEM	PART NO.	DESCRIPTION	QTY.	WEIGHT
1	PBP10	Ø 1.5" - Ø 3.5" O.D. Pipe Clamp Half	2	0.69 LBS
2	GD031200	3/8"-16 UNC x 12" Galv Threaded Rod (A307)	2	0.37 LBS
3	GWF03	3/8" GALV USS FLAT WASHER	10	0.01 LBS
4	GWL03	3/8" GALV LOCK WASHER	10	0.01 LBS
5	GN03	3/8-16 UNC GALV HEX NUT (Gr.5)	10	0.02 LBS

REVISIONS				
REV.	ZONE	DESCRIPTION	BY	DATE
A		INITIAL RELEASE	ACG	08/17/21



PIPE SOLD SEPARATELY
(Ø 2.38" - Ø 3.5" O.D.)



NOTES:
1. ALL METRIC DIMENSIONS ARE IN BRACKETS.

2. INSTALL HARDWARE TO TORQUE OF 10 FT-LB TO 15 FT-LB FOR OPTIMAL PIM MITIGATION.

These drawings and specifications are the proprietary property of WANHO Manufacturing, LLC and may be used only for the specific purpose authorized in writing by WANHO Manufacturing, LLC.

ALL DIMENSIONS ARE IN INCHES U.O.S.
TOLERANCES UNLESS OTHERWISE SPECIFIED:
.X = ± .06 ANGLES ±2°
.XX = ± .03 FRACTIONS ±1/32
.XXX = ± .010

REMOVE BURRS AND BREAK EDGES .005

DO NOT SCALE THIS PRINT

DRAWN BY: ACG	SHEET: 1 of 1	PART NUMBER: PBCBA
CHECKED BY: MKV	SCALE: NTS	DESCRIPTION: PIM BLOCKER™ PIPE MOUNT CABLE BLOCK ASSEMBLY
DATE: 08/17/21	MATERIAL: ASTM A1011/A1018	DRAWING TYPE: ASSEMBLY DRAWING
REVISION: A	FINISH: ASTM A123	
	WEIGHT: 2.80 LBS	