

ITEM	PART NO.	DESCRIPTION	CWM263	CWM296	CWM360	CWM396	CWM463	CWM496	WEIGHT
1	CWM.01	CORNER L-BRACKET	2	2	2	2	2	2	5.78 LBS
2	MTF91151.01	CORNER MOUNT ANGLE	4	4	4	4	4	4	12.18 LBS
3	MTF91151.02	CORNER MOUNT BACKING PLATE	4	4	4	4	4	4	6.88 LBS
4	GUB4240	1/2"-13 UNC X 2-1/2" X 4" GALV U-BOLT	4	4	-	-	-	-	0.57 LBS
4	GUB4355	1/2"-13 UNC X 3-5/8" X 5" GALV U-BOLT	-	-	4	4	-	-	0.72 LBS
4	GUB4456	1/2"-13 UNC X 4-5/8" X 6-1/2" GALV U-BOLT	-	-	-	-	4	4	0.92 LBS
5	GB0516A	5/8" X 1-3/4" GALV HEX BOLT (A325)	4	4	4	4	4	4	0.25 LBS
6	GD051200	5/8"-11 UNC x 12" Galv Threaded Rod (A307)	8	8	8	8	8	8	1.04 LBS
7	GWFO5	5/8" GALV USS FLAT WASHER	20	20	20	20	20	20	0.03 LBS
8	GWL05	5/8" GALV LOCK WASHER	16	16	16	16	16	16	0.03 LBS
9	GN05	5/8-18 UNC GALV HEX NUT (Gr.5)	16	16	16	16	16	16	0.08 LBS
10	MT65063	Ø2.375" OD x 63" PIPE	1	-	-	-	-	-	19.25 LBS
10	MT65196	Ø2.375" OD x 96" PIPE	-	1	-	-	-	-	29.33 LBS
10	MT54760	Ø3.5" O.D. X 60" PIPE	-	-	1	-	-	-	38.02 LBS
10	MT54796	Ø3.5" O.D. X 96" PIPE	-	-	-	1	-	-	60.83 LBS
10	MT65063	Ø4.5" O.D. X 63" PIPE	-	-	-	-	1	-	56.85 LBS
10	MT65496	Ø4.5" O.D. X 96" PIPE	-	-	-	-	-	1	86.64 LBS

REVISIONS				
REV.	ZONE	DESCRIPTION	BY	DATE
A		INITIAL RELEASE	AW	12/20/04
B		UPDATE PART LIST	ACG	08/15/06
C		UPDATE SERIES TABLE	MSM	11/09/09
D		UPDATE BOM	MSM	07/13/10
E		REDRAWN IN SOLIDWORKS	ACG	03/14/22

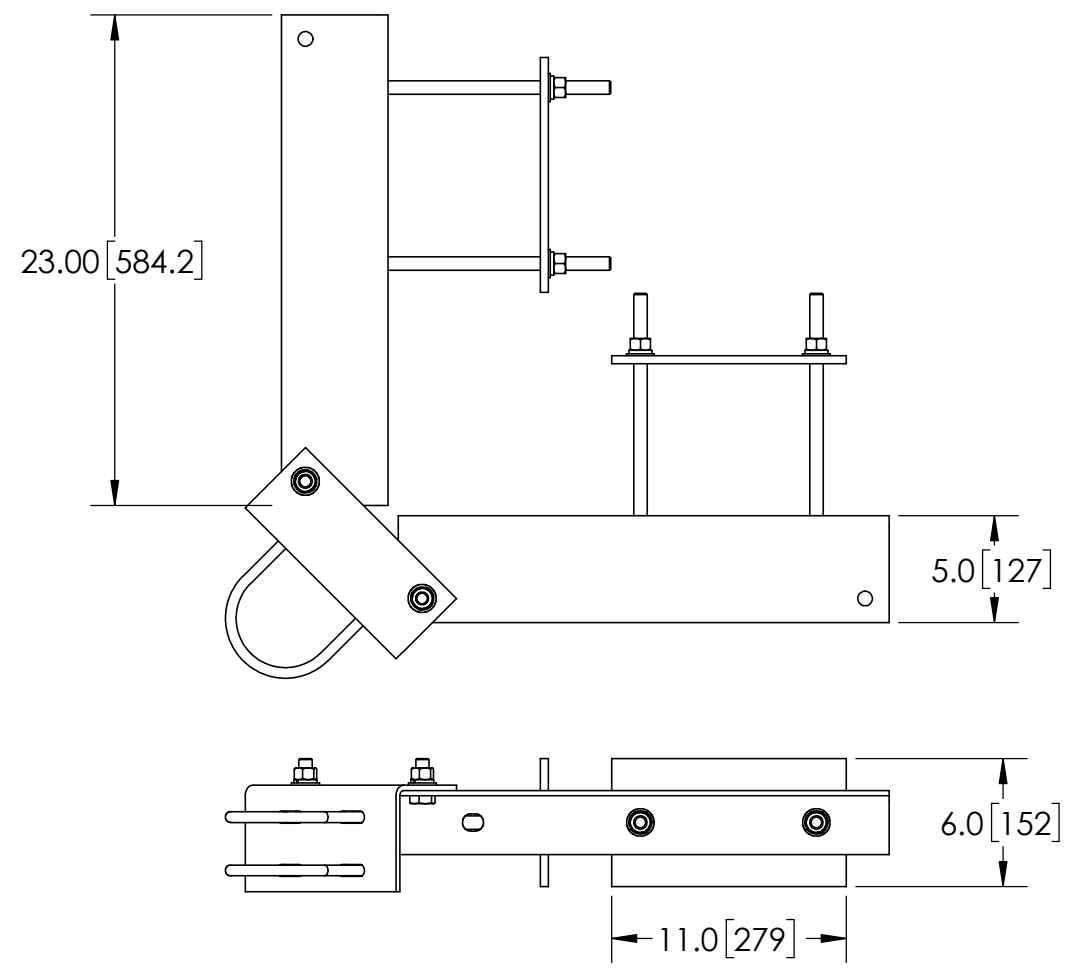
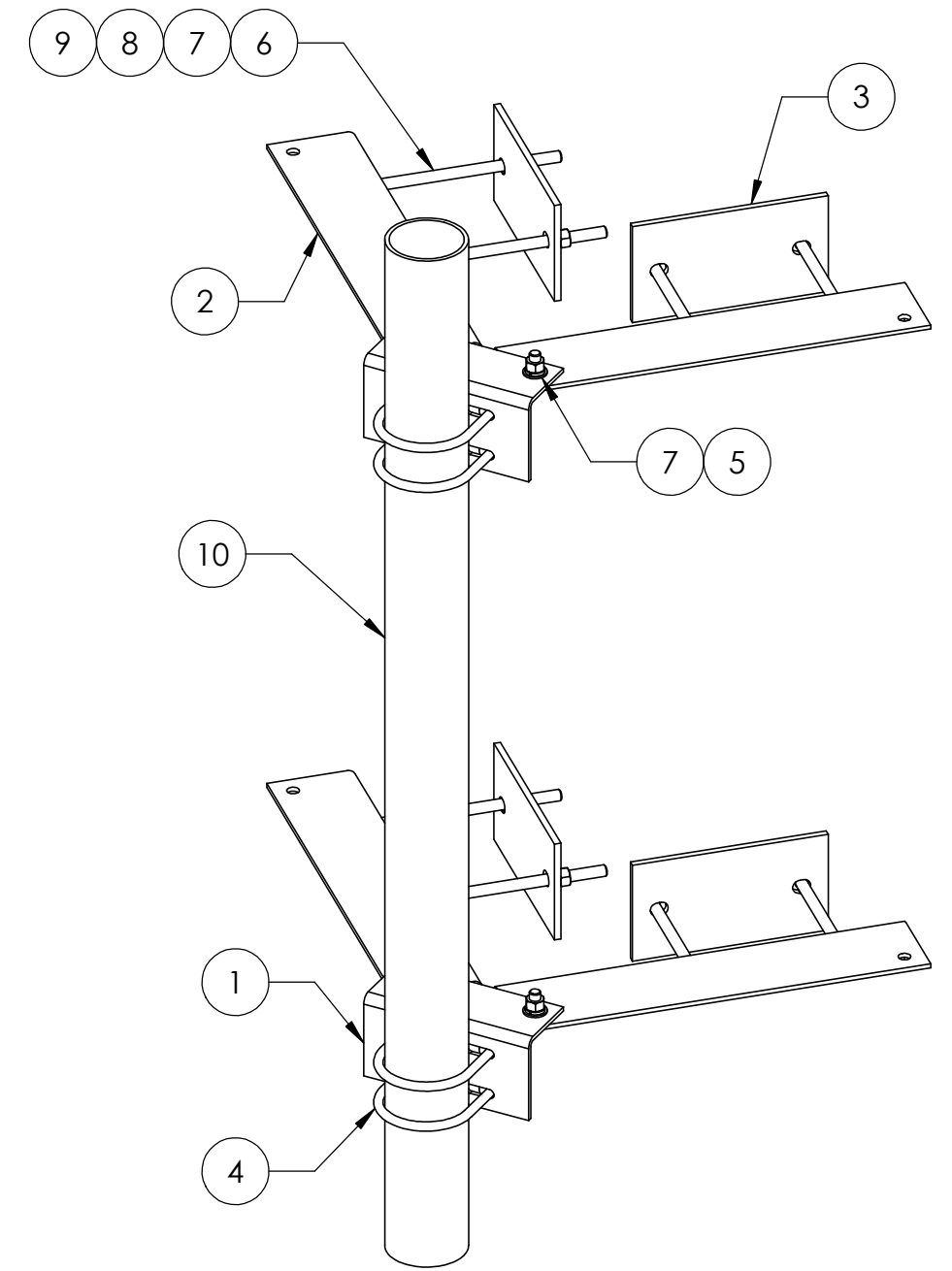


TABLE A		
PART NO.	HARDWARE KIT	WEIGHT
CWM463	CWM4H	163 LBS
CWM496	CWM4H	194 LBS
CWM360	CWM3H	141.1 LBS
CWM396	CWM3H	163.9 LBS
CWM263	CWM2H	122.5 LBS
CWM296	CWM2H	137 LBS

NOTES:
1. ALL METRIC DIMENSIONS ARE IN BRACKETS.

These drawings and specifications are proprietary property and may be used only for the specific purpose authorized in writing. ALL DIMENSIONS ARE IN INCHES U.O.S. TOLERANCES UNLESS OTHERWISE SPECIFIED: .X = ± .06 ANGLES ±2° .XX = ± .03 FRACTIONS ±1/32 .XXX = ± .010 REMOVE BURRS AND BREAK EDGES .005 DO NOT SCALE THIS PRINT	DRAWN BY: ACG	SHEET: 1 of 1	PART NUMBER: CWM-SERIES
	CHECKED BY: MKV	SCALE: NTS	DESCRIPTION: CORNER WALL MOUNT
	DATE: 03/15/22	MATERIAL: ASTM A1011/A1018 GR.36	DRAWING TYPE: ASSEMBLY DRAWING
	REVISION: E	FINISH: ASTM A123	WEIGHT: SEE TABLE A