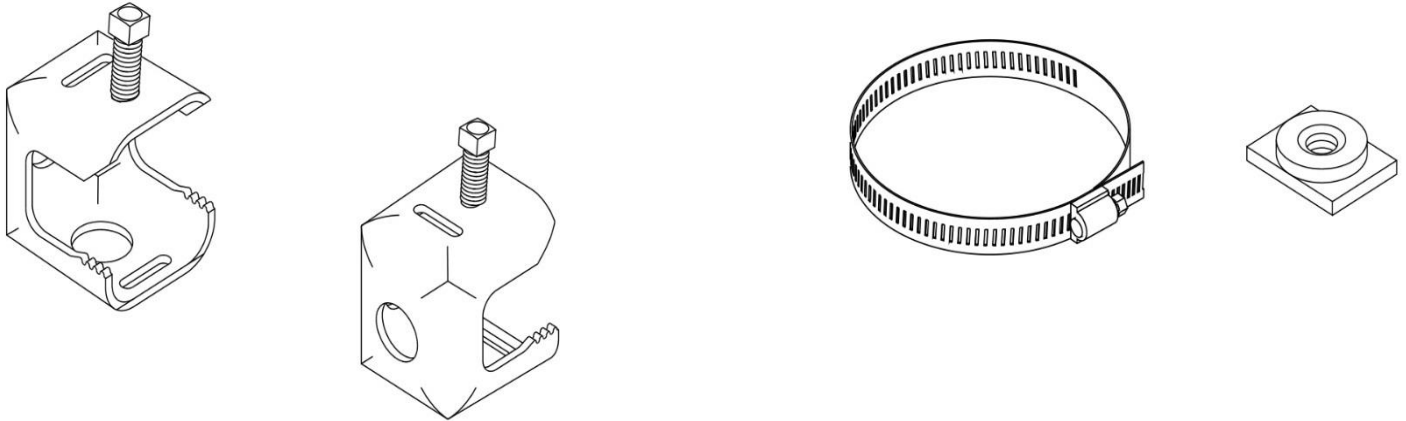

PRODUCT REFERENCE SHEET

Universal Snap Adapter UA3 & UA3G & UA3CVG

1599 PR D (Page 1 of 1)

PRODUCT DESCRIPTION

The Universal Snap-In Adapters are designed to be compatible with both angle and round members. The 3/4" thru holes will accommodate a variety of snap style hangers, as well as 3/8" & 10mm threaded inserts, plus 1/2" wide hose clamps or cable ties. They are available in stainless or galvanized steel. Additional finishes and coatings available upon request.



TYPICAL APPLICATIONS

