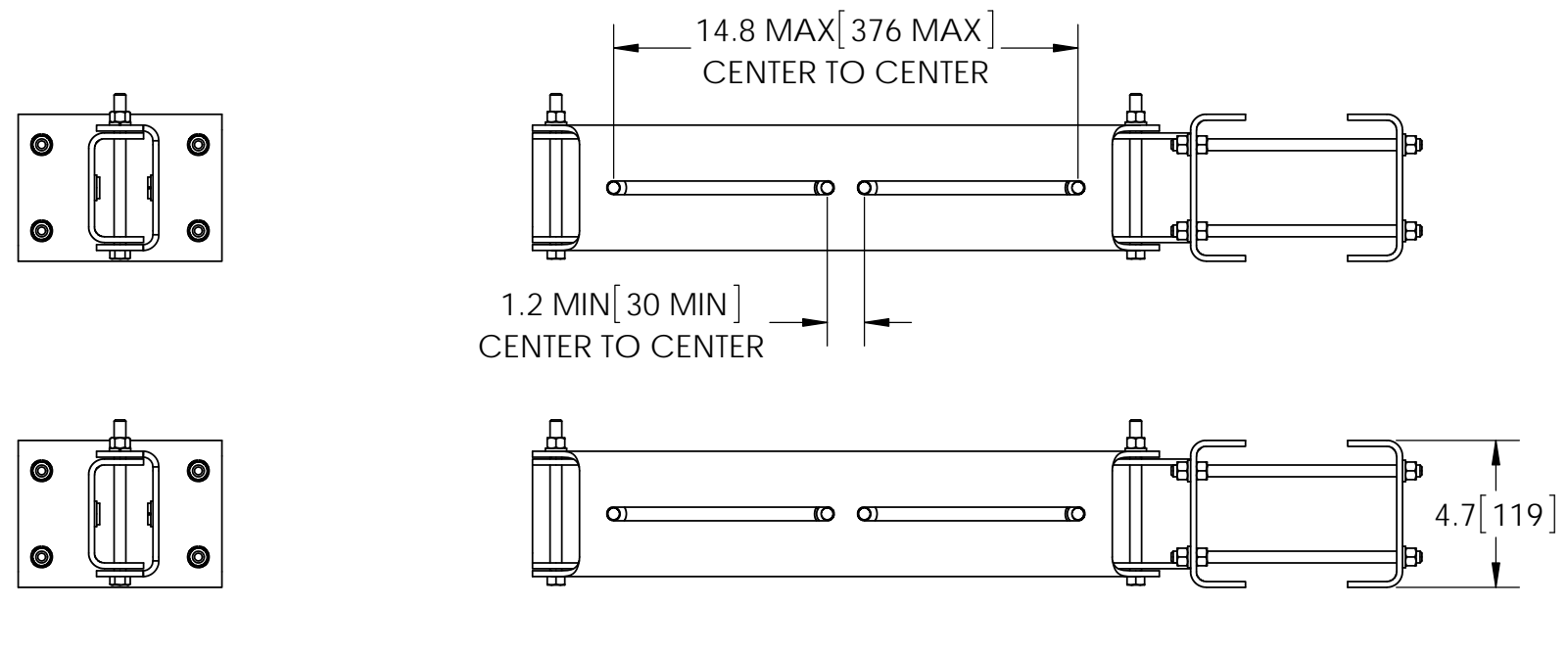
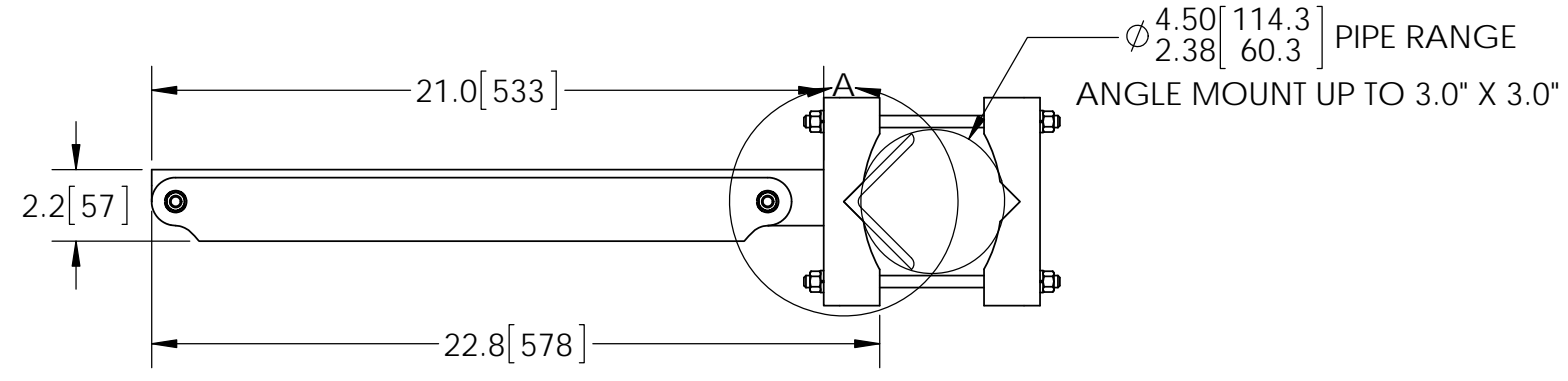
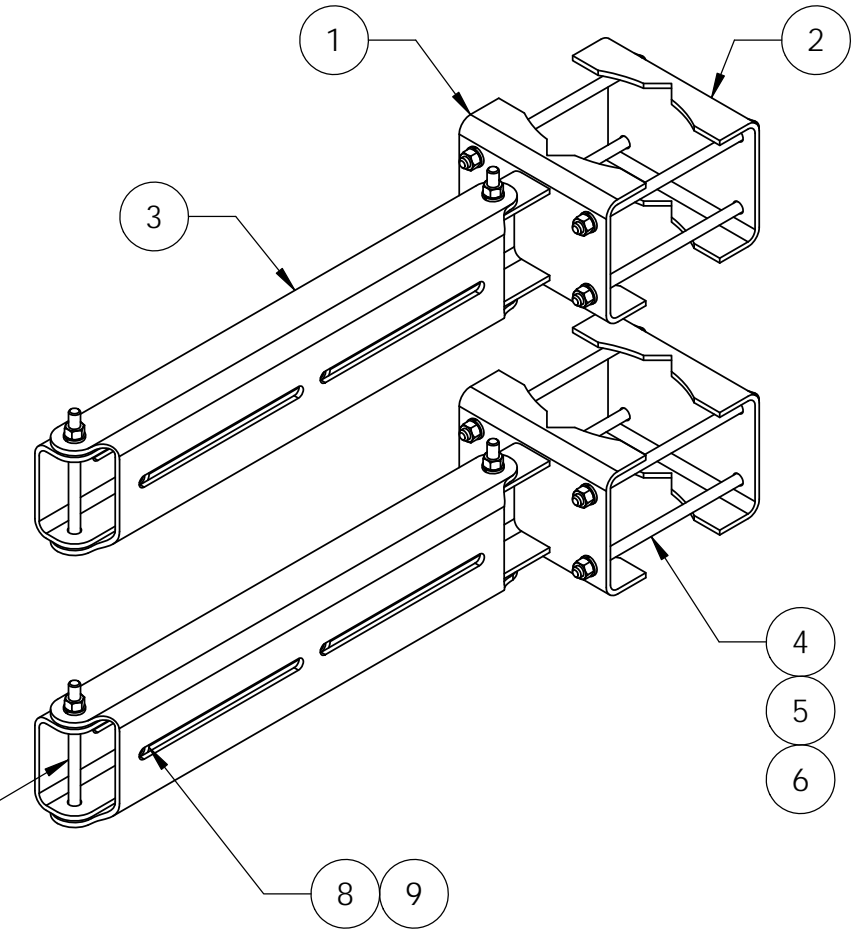
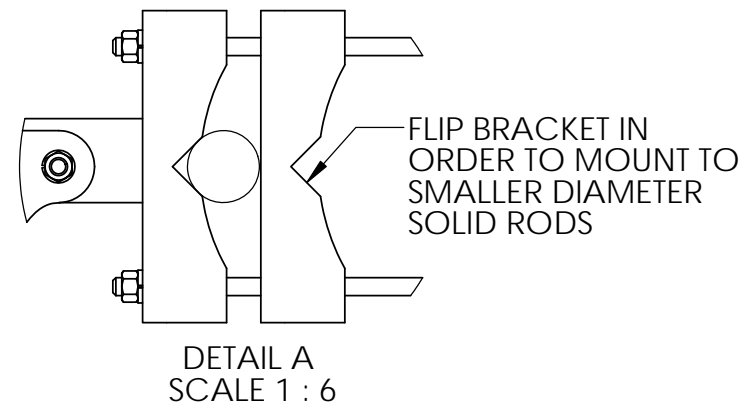


ITEM	PART NO.	DESCRIPTION	QTY.	WEIGHT
1	RRUDSM.01	MOUNTING ARM	2	8.92 LBS
2	RRUDSM.02	CLAMP PLATE	2	2.33 LBS
3	RRUDSM.03	SWIVEL MOUNT	2	6.60 LBS
4	GD03800	3/8"-16 UNC x 8" Galv Threaded Rod	8	0.25 LBS
5	GWL-03	3/8" GALV LOCK WASHER	20	0.01 LBS
6	GN-03	3/8-16 UNC GALV HEX NUT	28	0.02 LBS
7	GB-03505	3/8" X 5" GALV BOLT	4	0.18 LBS
8	SWF03	3/8" SS FLAT WASHER	8	0.01 LBS
9	SWL-03	3/8" SS LOCK WASHER	8	0.01 LBS

REVISIONS					
REV.	ECN	ZONE	DESCRIPTION	BY	DATE
A			INITIAL RELEASE	ACG	06/19/14
B			UPDATE DESIGN	ACG	06/26/14
C			UPDATE ITEMS 1 & 2 INCREASE SLOT LENGTH	ACG	07/07/14



NOTES:
1. ALL METRIC DIMENSIONS ARE IN BRACKETS.

ALL DIMENSIONS ARE IN INCHES U.O.S. TOLERANCES UNLESS OTHERWISE SPECIFIED: .X = ± .06 ANGLES ±2° .XX = ± .03 FRACTIONS ±1/32 .XXX = ± .010 REMOVE BURRS AND BREAK EDGES .005 DO NOT SCALE THIS PRINT	DRAWN BY: ACG	SHEET: 1 of 1	PART NUMBER: RRUDSM
	CHECKED BY: CC	SCALE: NTS	DESCRIPTION: RRU Dual Swivel Mount
	DATE: 06/26/14	MATERIAL: A36	DRAWING TYPE: ASSEMBLY DRAWING
	REVISION: C	FINISH: Galv A123 WEIGHT: 39.14 LBS	