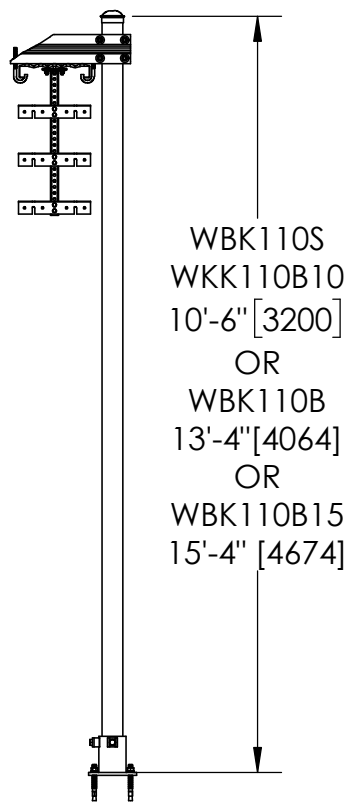
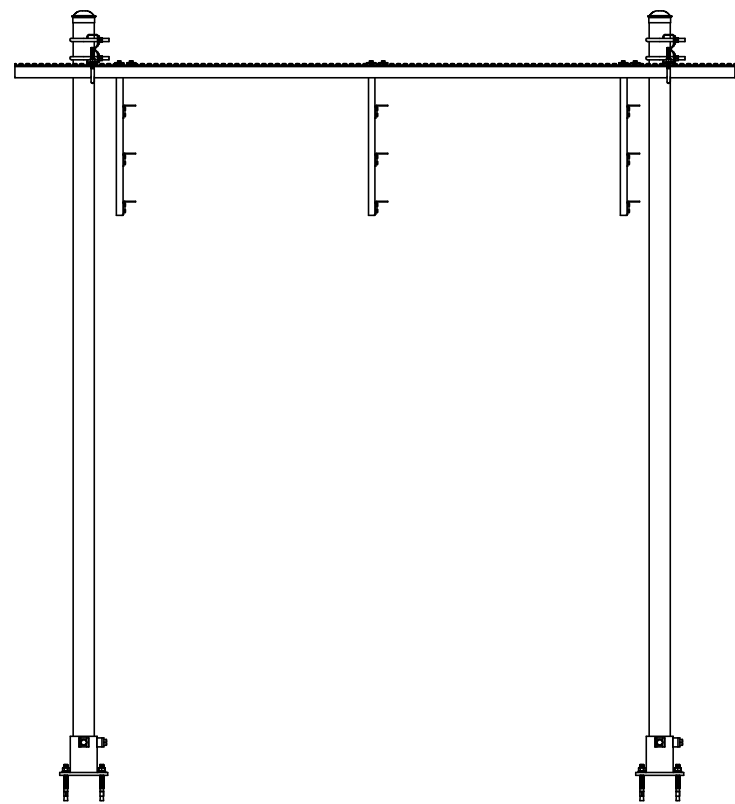
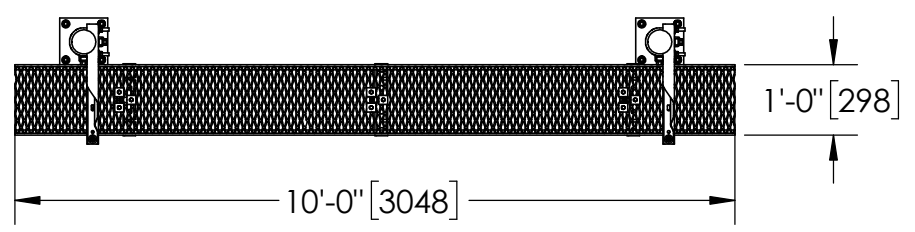
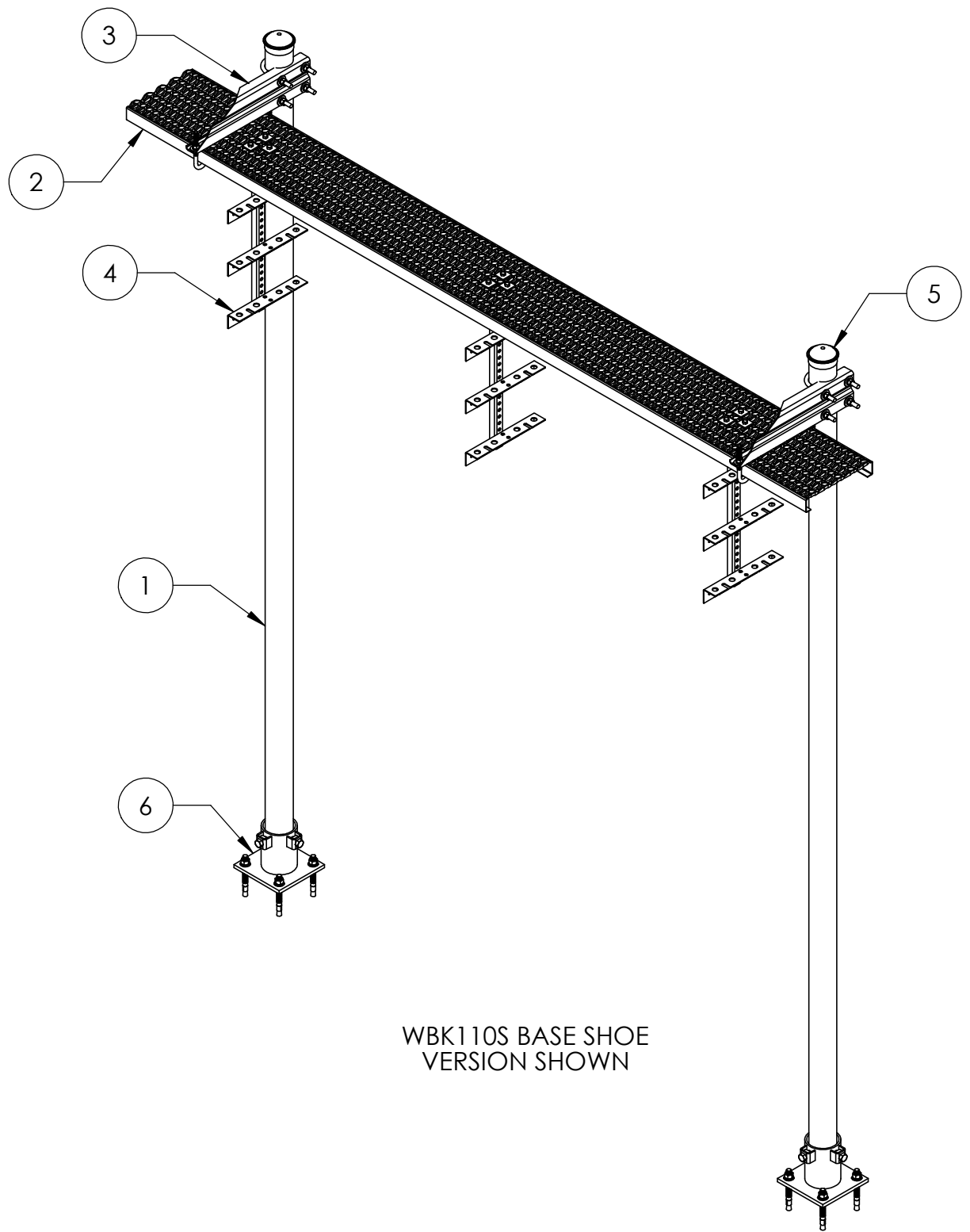


| ITEM | PART NO. | DESCRIPTION | 6 | | | | | WEIGHT |
|------|----------|--|-----------|---------|-----------|---------|-----------|------------|
| | | | WBK110BHK | WBK110S | WBK110B10 | WBK110B | WBK110B15 | |
| 1 | MT547126 | Ø 3.5" O.D. X 126" PIPE | - | 2 | 2 | - | - | 61.93 LBS |
| 1 | MF130 | Ø 3.5" O.D. X 13'-4" PIPE | - | - | - | 2 | - | 101.38 LBS |
| 1 | MF273 | Ø 3.5" O.D. X 15'-4" PIPE | - | - | - | - | 2 | 116.58 LBS |
| 2 | WBCY110 | SAFETY GRATING 12" X 10' | - | 1 | 1 | 1 | 1 | 70 LBS |
| 3 | WBLB123 | 12" WAVEGUIDE BRIDGE KIT | 2 | 2 | 2 | 2 | 2 | 7.66 LBS |
| 4 | WBT123 | TRAPEZE KIT, 12" | 3 | 3 | 3 | 3 | 3 | 8.40 LBS |
| 5 | PC034 | Ø 3-1/2" O.D. PIPE CAP | 2 | 2 | 2 | 2 | 2 | 0.74 LBS |
| 6 | WBBS | SLIP ON BASE SHOE KIT FOR 3-1/2" O.D. PIPE | - | 2 | - | - | - | 15.26 LBS |

| REVISIONS | | | | |
|-----------|------|----------------------------|-----|----------|
| REV. | ZONE | DESCRIPTION | BY | DATE |
| A | | INITIAL RELEASE | ACG | 03/11/22 |
| B | | ADD 2 KITS | ACG | 05/23/22 |
| C | | ADD WBK110BHK | ACG | 07/25/22 |
| D | | REMOVE WBBS FROM WBK110BHK | ACG | 08/23/22 |



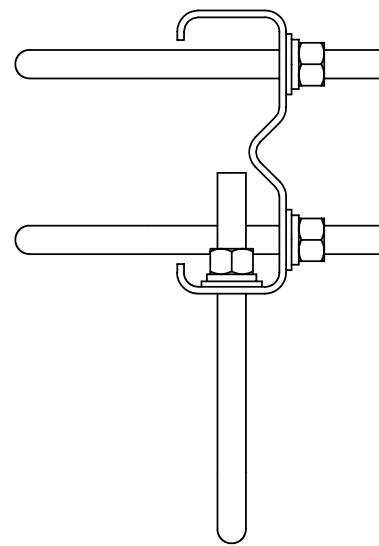
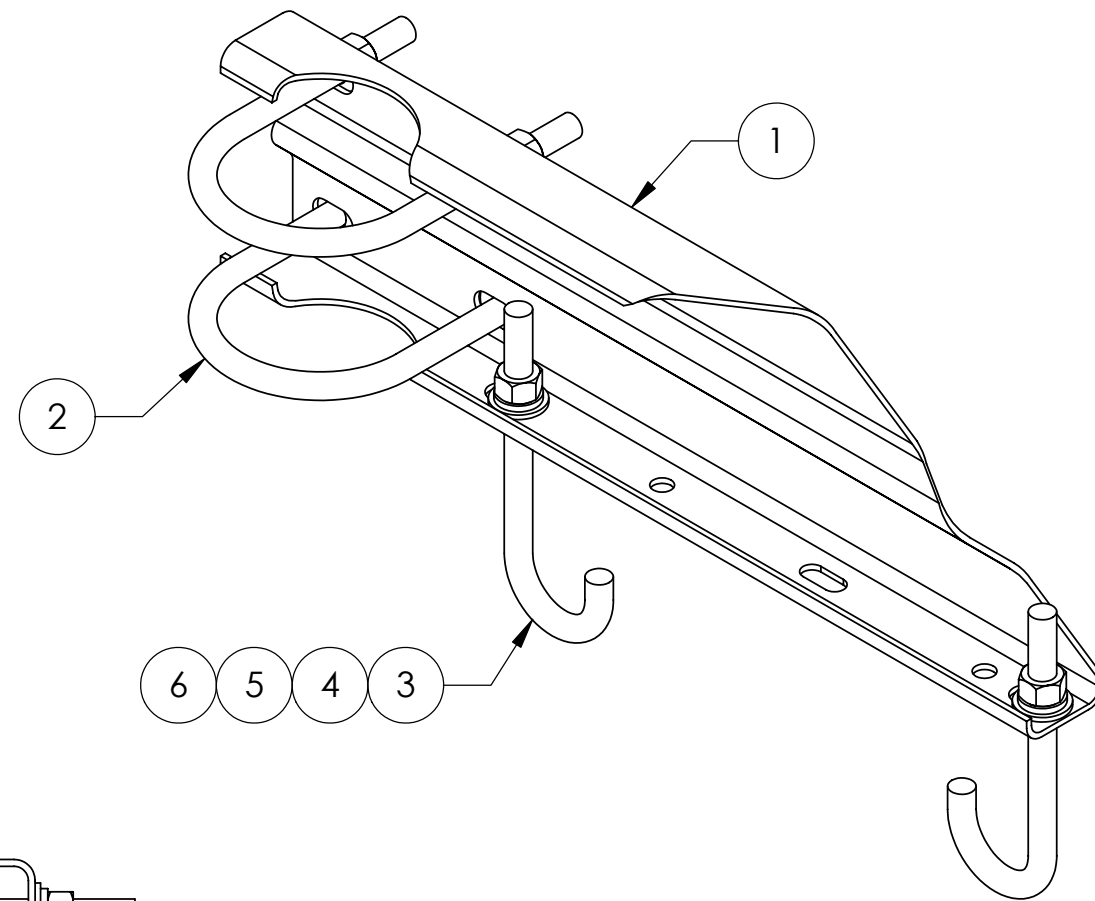
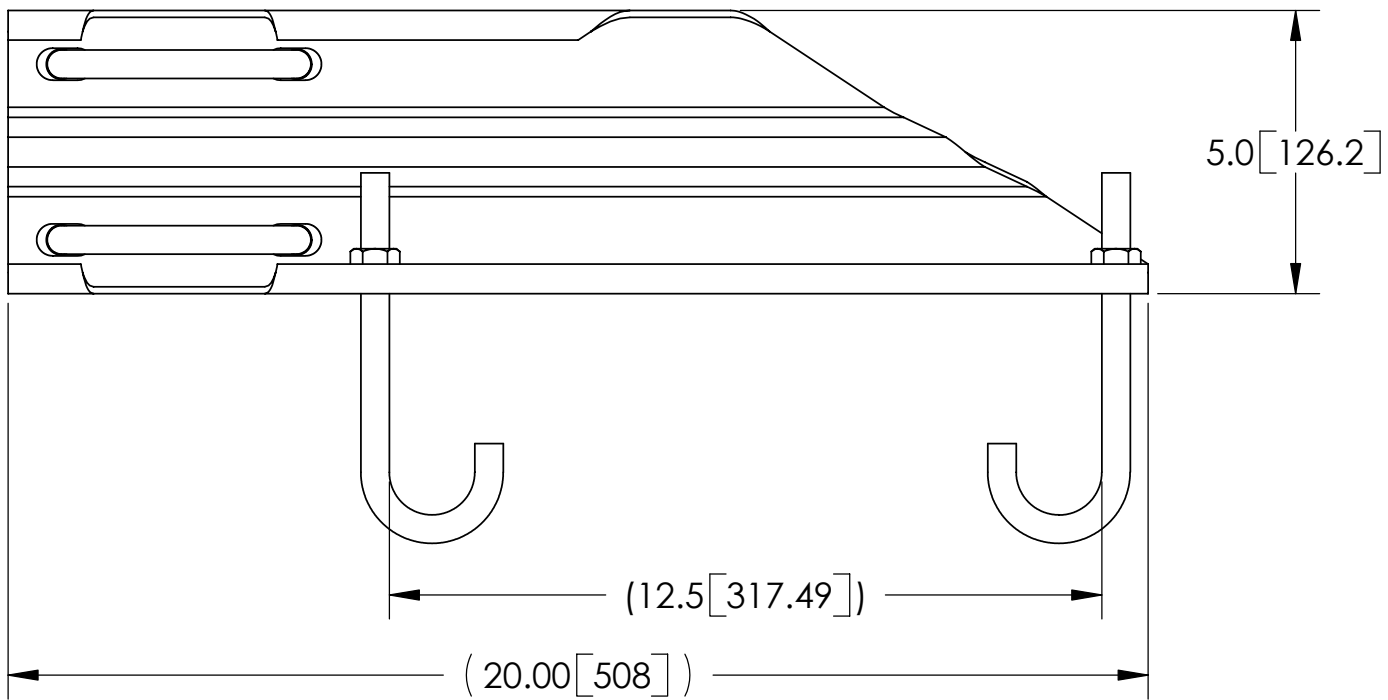
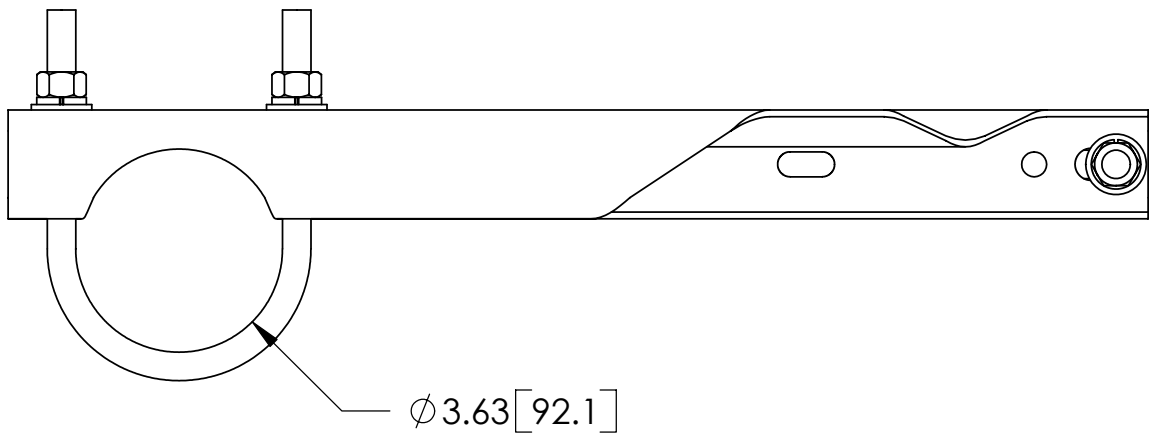
WBK110S BASE SHOE
VERSION SHOWN

NOTES:
1. ALL METRIC DIMENSIONS ARE IN BRACKETS.

| | | | |
|---|-----------------------|----------------------------------|---|
| These drawings and specifications are the proprietary property and may be used only for the specific purpose authorized in writing. ALL DIMENSIONS ARE IN INCHES U.O.S. TOLERANCES UNLESS OTHERWISE SPECIFIED: .X = ± .06 ANGLES ±2° .XX = ± .03 FRACTIONS ±1/32 .XXX = ± .010 REMOVE BURRS AND BREAK EDGES .005 DO NOT SCALE THIS PRINT | DRAWN BY: ACG | SHEET: 1 of 1 | PART NUMBER: WBK110-Series |
| | CHECKED BY: MKV | SCALE: NTS | DESCRIPTION: 12" X 10' WAVEGUIDE BRIDGE KIT (BURIAL PIPE OR BASE SHOE) |
| | DATE: 03/11/22 | MATERIAL: ASTM A36, A53, A568 | DRAWING TYPE: ASSEMBLY DRAWING |
| | REVISION: D | FINISH: ASTM A123 | WEIGHT: 265.71 LBS |

| ITEM | PART NO. | DESCRIPTION | QTY. | WEIGHT |
|------|------------|--------------------------------------|------|----------|
| 1 | WBLB123.07 | 12" WAVEGUIDE BRIDGE SUPPORT BRACKET | 1 | 4.71 LBS |
| 2 | GUB-4356 | 1/2" X 3-5/8" X 6" GALV U-BOLT KIT | 2 | 0.83 LBS |
| 3 | WB-JB-6 | 1/2" J-BOLT | 2 | 0.50 LBS |
| 4 | GWF-04 | 1/2" GALV FLAT WASHER | 2 | 0.01 LBS |
| 5 | GWL-04 | 1/2" GALV LOCK WASHER | 2 | 0.00 LBS |
| 6 | GN-04 | 1/2" GALV HEX NUT | 2 | 0.01 LBS |

| REVISIONS | | | | |
|-----------|------|----------------------------------|-----|----------|
| REV. | ZONE | DESCRIPTION | BY | DATE |
| D | | NEW DESIGN | DI | 03/08/05 |
| E | | REPLACE WBLB12306 WITH WBLB12307 | ACG | 08/28/07 |

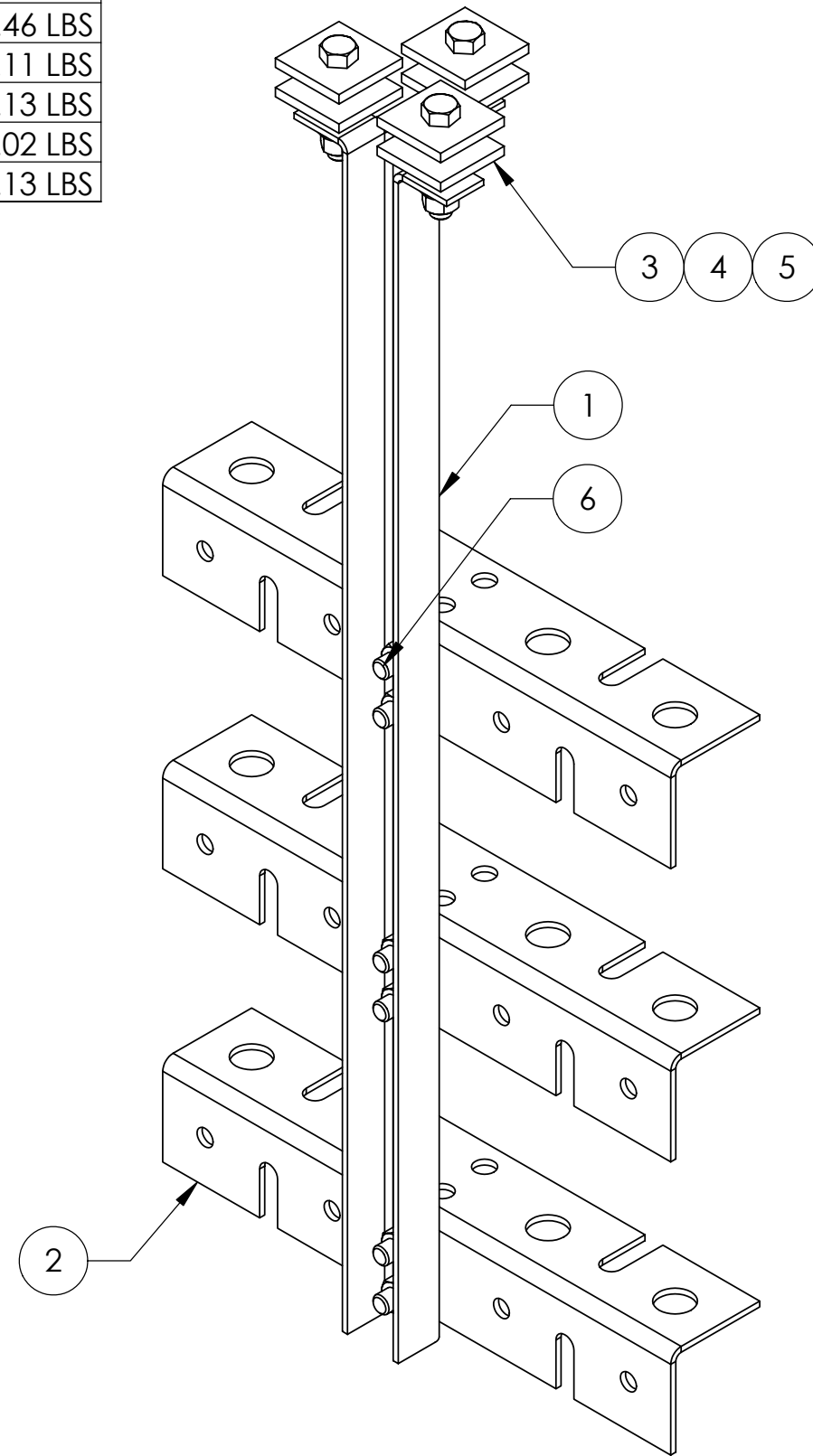


| | | | |
|--|-------------------|----------------------|--|
| <p>These drawings and specifications are proprietary property of manufacturer and may be used only for the specific purpose authorized in writing.</p> <p>ALL DIMENSIONS ARE IN INCHES U.O.S. TOLERANCES UNLESS OTHERWISE SPECIFIED: .X = ± .06 ANGLES ±2' .XX = ± .03 FRACTIONS ±1/32 .XXX = ± .010</p> <p>REMOVE BURRS AND BREAK EDGES .005</p> <p>DO NOT SCALE THIS PRINT</p> | DRAWN BY: DI | SHEET: 2 of 4 | PART NUMBER: WBLB123 |
| | CHECKED BY: TP | SCALE: NTS | DESCRIPTION: 12" WAVEGUIDE BRIDGE SUPPORT BRACKET KIT |
| | DATE: 3/8/05 | MATERIAL: A36 | DRAWING TYPE: ASSEMBLY DRAWING |
| | REVISION: E | FINISH: GALV A123 | WEIGHT: 7.81 LBS |

NOTES:
1. ALL METRIC DIMENSIONS ARE IN BRACKETS.

| ITEM | PART NO. | DESCRIPTION | QTY. | WEIGHT |
|------|-----------|--|------|----------|
| 1 | WBT243.01 | VERTICAL TRAPEZE SECTION | 1 | 2.55 LBS |
| 2 | WBT123.02 | 12" HORIZONTAL TRAPEZE SECTION | 3 | 1.46 LBS |
| 3 | MT-387 | SQUARE WASHER, 1½" X 1½" W/ 7/16" HOLE | 6 | 0.11 LBS |
| 4 | GB-03205 | 3/8" X 2" GALV BOLT KIT | 3 | 0.13 LBS |
| 5 | GWF-03 | 3/8" GALV FLAT WASHER | 3 | 0.02 LBS |
| 6 | GB-03105 | 3/8" X 1" GALV BOLT KIT | 6 | 0.13 LBS |

| REVISIONS | | | | |
|-----------|------|-------------|----|---------|
| REV. | ZONE | DESCRIPTION | BY | DATE |
| D | | REVISED | DI | 1/26/05 |
| | | | | |
| | | | | |



These drawings and specifications are proprietary property of manufacturer and may be used only for the specific purpose authorized in writing.

ALL DIMENSIONS ARE IN INCHES U.O.S.
TOLERANCES UNLESS OTHERWISE SPECIFIED:
.X = .06 ANGLES 2°
.XX = .03 FRACTIONS 1/32
.XXX = .010

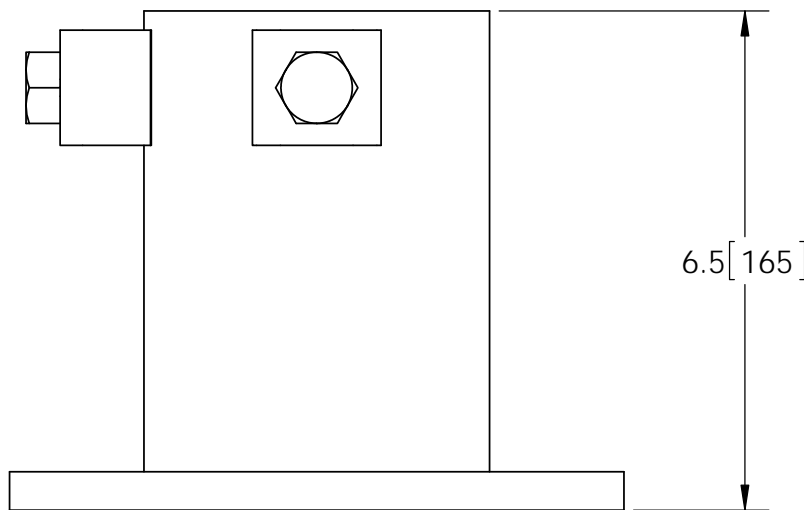
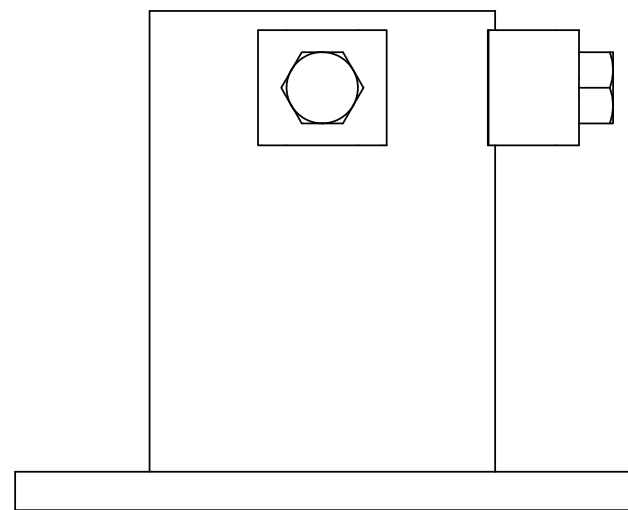
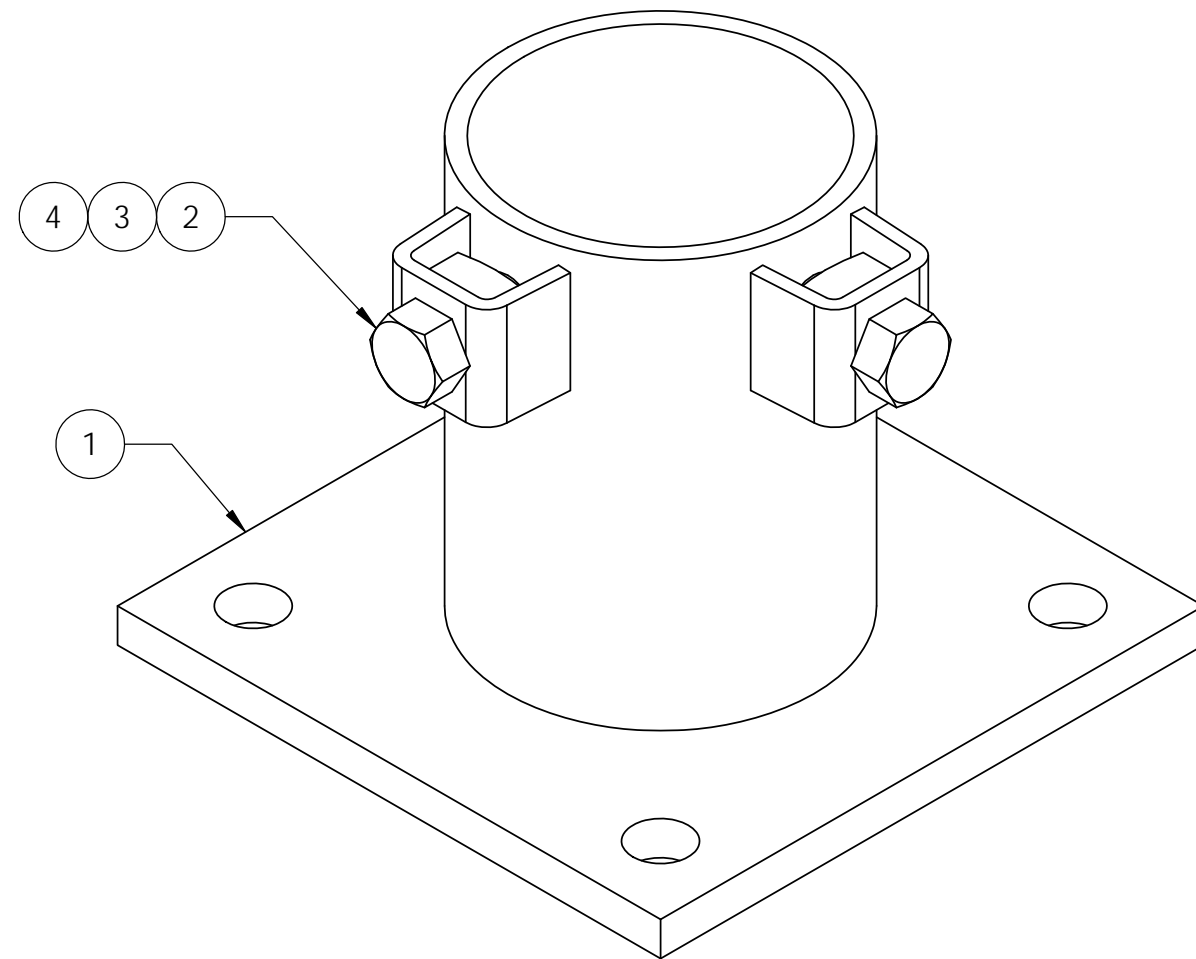
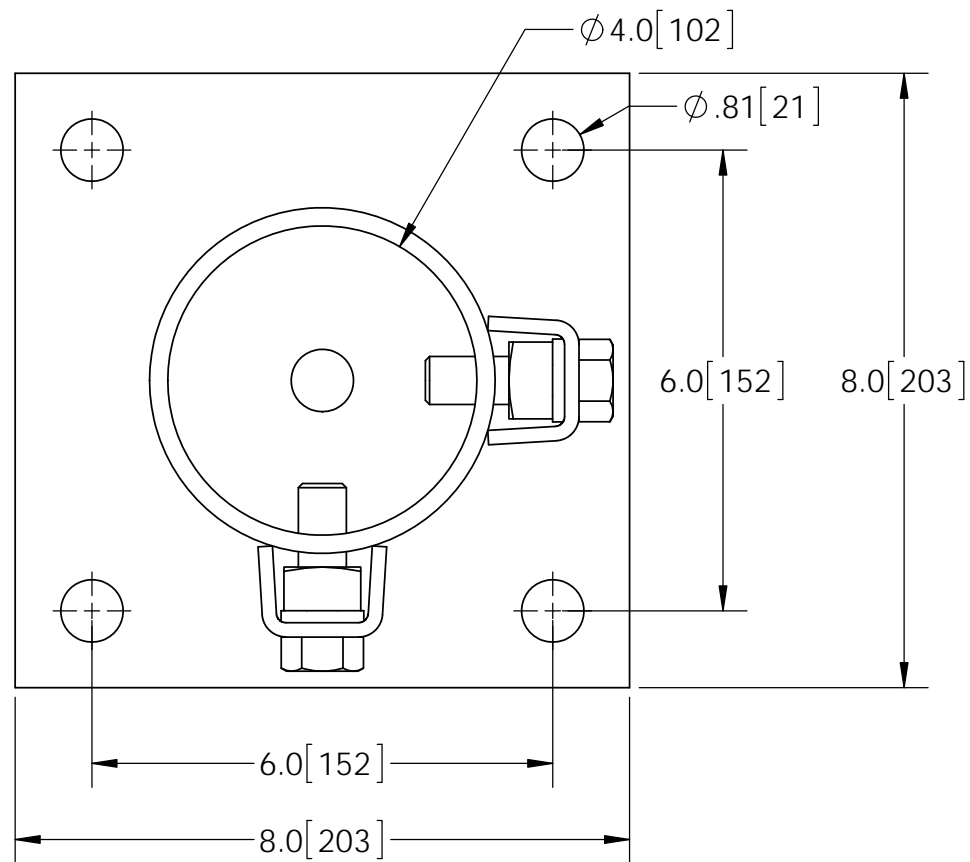
REMOVE BURRS AND BREAK EDGES .005

DO NOT SCALE THIS PRINT

| | | |
|-----------------------|----------------------|-----------------------------------|
| DRAWN BY: DI | SHEET: 3 of 4 | PART NUMBER: WBT123 |
| CHECKED BY: TP | SCALE: NTS | DESCRIPTION: TRAPEZE KIT |
| DATE: 01/27/05 | MATERIAL: A36 | DRAWING TYPE: ASSEMBLY DRAWING |
| REVISION: D | FINISH: GALV A123 | |
| | WEIGHT: 8.43 LBS | |

| ITEM | PART NO. | DESCRIPTION | QTY. | WEIGHT |
|------|------------|--------------------------------|------|-----------|
| 1 | WBBS.01 | WELDED BASE SHOE | 1 | 14.46 LBS |
| 2 | GB05205.01 | 5/8"-11 UNC X 2" GALV HEX BOLT | 2 | 0.27 LBS |
| 3 | GWL-06 | 5/8" GALV LOCK WASHER | 2 | 0.03 LBS |
| 4 | SQN-06 | 5/8"-11 UNC GALV SQUARE NUT | 2 | 0.12 LBS |

| REVISIONS | | | | | |
|-----------|-----|------|-----------------|-----|----------|
| REV. | ECN | ZONE | DESCRIPTION | BY | DATE |
| A | | | INITIAL RELEASE | ACG | 10/18/13 |



- NOTES:
- ALL METRIC DIMENSIONS ARE IN BRACKETS.
 - STAMP PART IDENTIFICATION NUMBER.
 - WELDING WORKMANSHIP PER AWS D1.1, TABLE 6.1.

These drawings and specifications are proprietary property of manufacturer and may be used only for the specific purpose authorized in writing.

ALL DIMENSIONS ARE IN INCHES U.O.S.
 TOLERANCES UNLESS OTHERWISE SPECIFIED:
 .X = ± .06 ANGLES ±2°
 .XX = ± .03 FRACTIONS ±1/32
 .XXX = ± .010

REMOVE BURRS AND BREAK EDGES .005

DO NOT SCALE THIS PRINT

| | | |
|-------------------|-----------------------|--|
| DRAWN BY: ACG | SHEET: 4 of 4 | PART NUMBER: WBBS |
| CHECKED BY: CC | SCALE: NTS | DESCRIPTION: SLIP ON BASE SHOE KIT FOR 3-1/2" O.D. PIPE |
| DATE: 10/18/13 | MATERIAL: A36, A53 | DRAWING TYPE: ASSEMBLY DRAWING |
| REVISION: A | FINISH: GALV A123 | |
| | WEIGHT: 15.30 LBS | |