

# PRODUCT REFERENCE SHEET

©2020

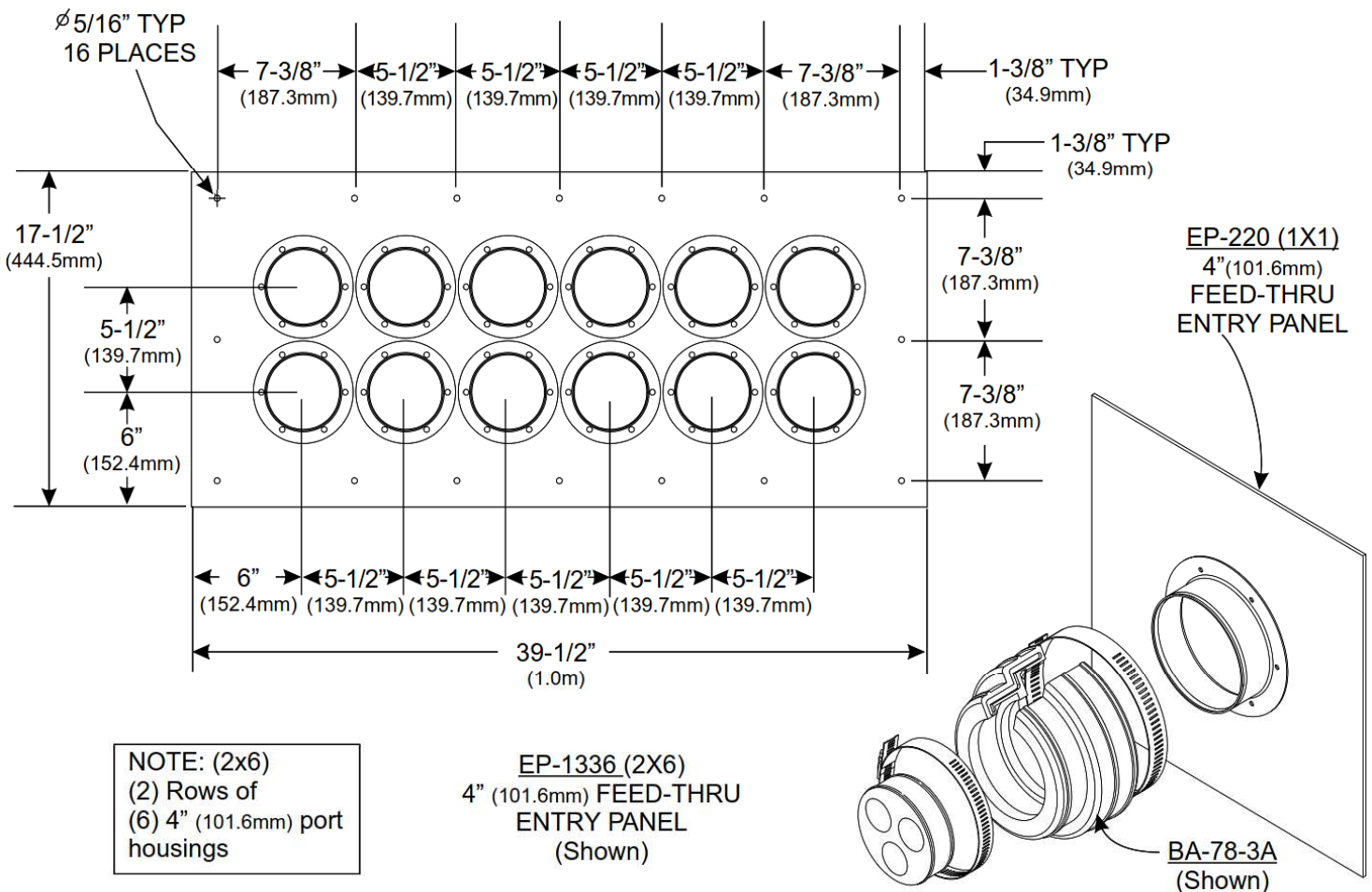
## Feed-thru Entry Panels EP-1336

1248 PR D

### PRODUCT DESCRIPTION

Aluminum Feed-thru Entry Panels enable multiple coax runs to enter buildings and shelters. The entry panel supports coax at the entry point and prevents moisture from entering the building. Feed-thru entry panels feature 4" (101.6mm) or 5" (127mm) openings to accept 4" (101.6mm) or 5" (127mm) boot assemblies. They can be used in both interior and exterior wall mounting applications. Each feed-thru entry panel includes #14 stainless steel screws, finishing washers, plastic anchors, and entry port caps. Feed-thru entry panels are manufactured from .080" (2.0mm) aluminum and are powder coated to ensure long term integrity and provide appealing aesthetics.

### TYPICAL APPLICATIONS



### SPECIFICATIONS

#### Finish:

Entry panels are manufactured from .080" aluminum and are powder coated. All attachment hardware is stainless steel.

4" FEED-THRU ENTRY PANEL					
Part #	Description	Wall Opening Size		Weight lbs. (kg)	Qty.
		Width	Height		
EP-1336	4" (101.6mm) Entry Panel, 12 port, 2x6	31-1/2" (800.1mm)	9-1/2" (241.3mm)	9.2 (4.2)	Each