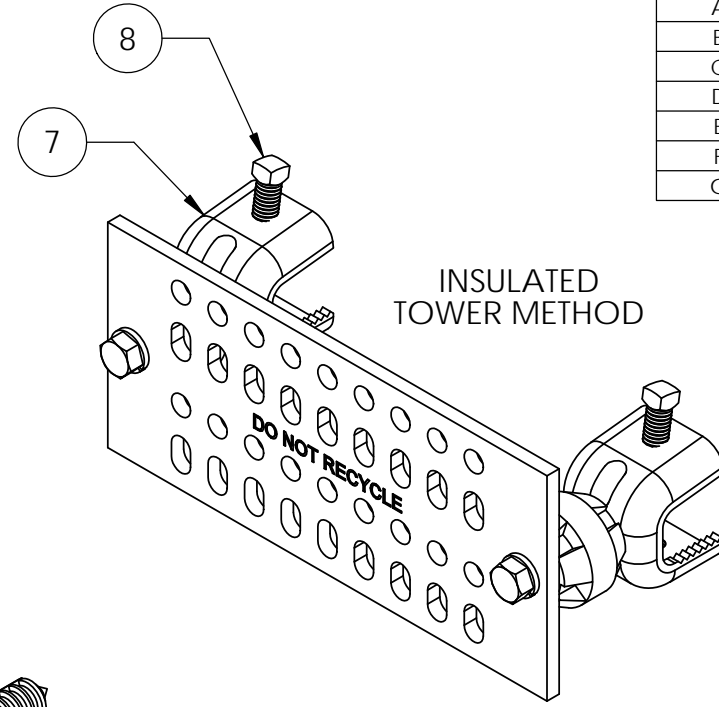
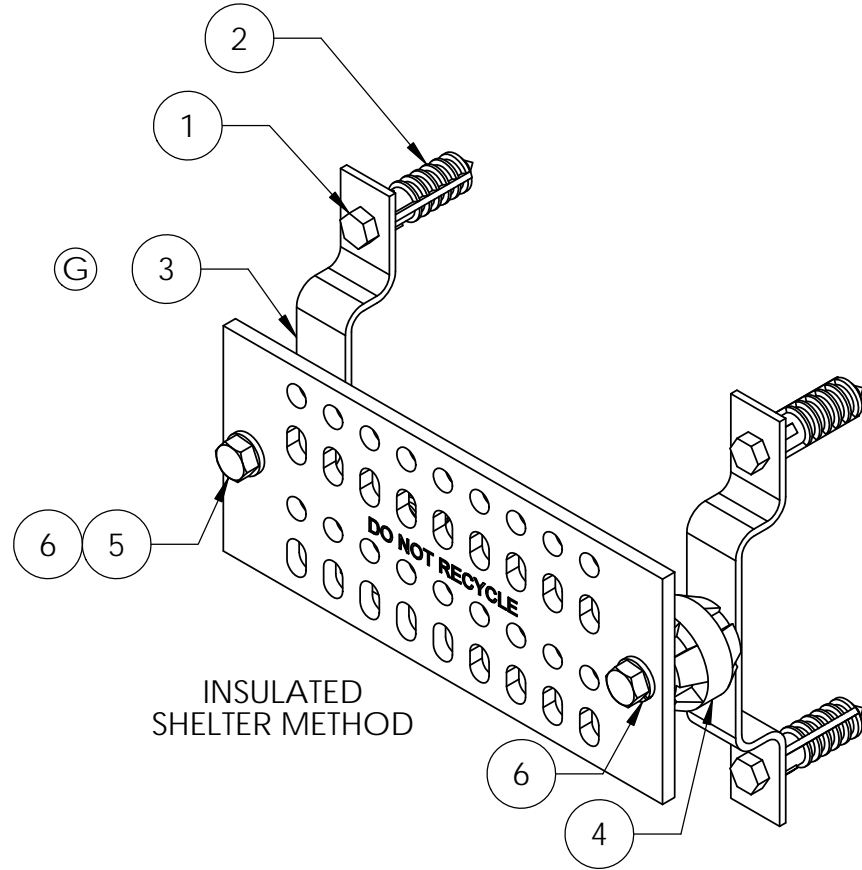
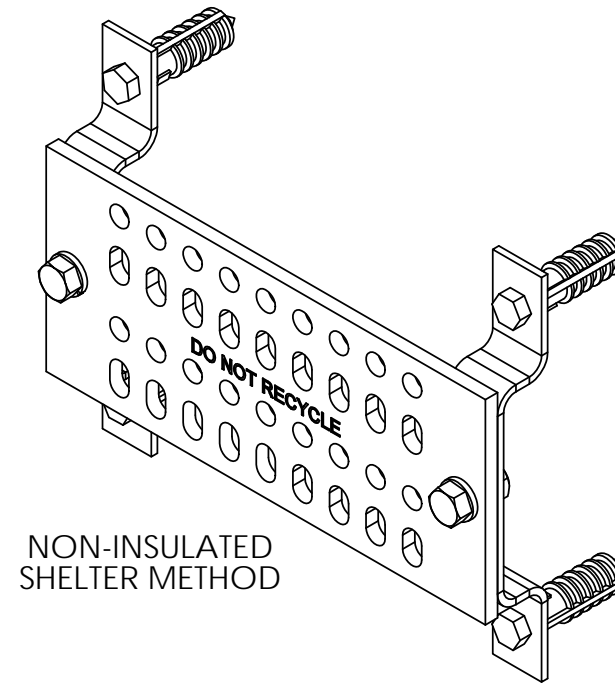
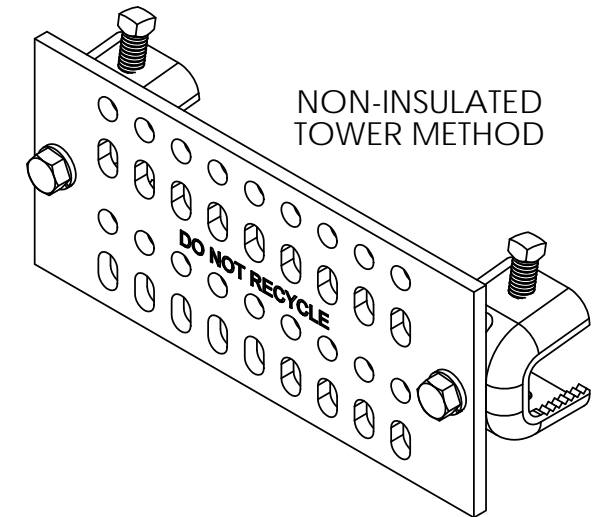


ITEM	PART NO.	DESCRIPTION	QTY.	WEIGHT
1	GLS-0320	3/8" X 2" GALV LAG SCREW	4	0.05 LBS
2	LSG03S	3/8" SHORT GALV LAG SHIELD	4	0.06 LBS
3	3880G	STANDOFF BRACKET, HDG	2	0.28 LBS
4	MT520	INSULATOR W/ 3/8"-16 UNC THREADED INSERT	2	0.21 LBS
5	SB0305	3/8"-16 UNC X 5/8" SS HEX BOLT	4	0.04 LBS
6	SWL03	3/8" SS LOCK WASHER	4	0.01 LBS
7	45840G-1	GALV. ANGLE ADAPTOR	2	0.41 LBS
8	SB0316#4	3/8"-16 UNC x 1-3/4" S.S. Square Head Set Screw	2	0.06 LBS

REVISIONS				
REV.	ZONE	DESCRIPTION	BY	DATE
A		INITIAL RELEASE	ACG	12/09/02
B		UPDATE ANGLE ADAPTOR & SET SCREW	ACG	07/30/03
C		UPDATE PART LIST QTY	ACG	08/20/03
D		REMOVE HARDWARE TO MIRROR WI's	CPC	03/20/09
E		REPLACE MT-500 WITH 3880	ACG	06/11/10
F		REPLACE 995323 WITH SB0316#4	ACG	01/18/11
G		REPLACE 3880 WITH 3880G	ACG	01/15/16



SUGGESTED ATTACHMENT METHODS SHOWN



- NOTES:
- ORDER 3/8" SS NUTS SEPERATELY FOR NON-INSULATED SHELTER METHOD.
  - THE 3880 IS AN APPROVED EQUIVALENT TO THE 3880G.

These drawings and specifications are the proprietary property of WANHO Manufacturing, LLC and may be used only for the specific purpose authorized in writing by WANHO Manufacturing, LLC.

ALL DIMENSIONS ARE IN INCHES U.O.S.  
 TOLERANCES UNLESS OTHERWISE SPECIFIED:  
 .X = ± .06 ANGLES ±2°  
 .XX = ± .03 FRACTIONS ±1/32  
 .XXX = ± .010  
 REMOVE BURRS AND BREAK EDGES .005

DO NOT SCALE THIS PRINT

DRAWN BY: ACG	SHEET: 1 of 1	PART NUMBER: GBHKU
CHECKED BY: CC	SCALE: NTS	DESCRIPTION: UNIVERSAL BUSS BAR KIT
DATE: 12/09/02	MATERIAL: N/A	DRAWING TYPE: ASSEMBLY DRAWING
REVISION: G	FINISH: N/A	
	WEIGHT: 2.29 LBS	