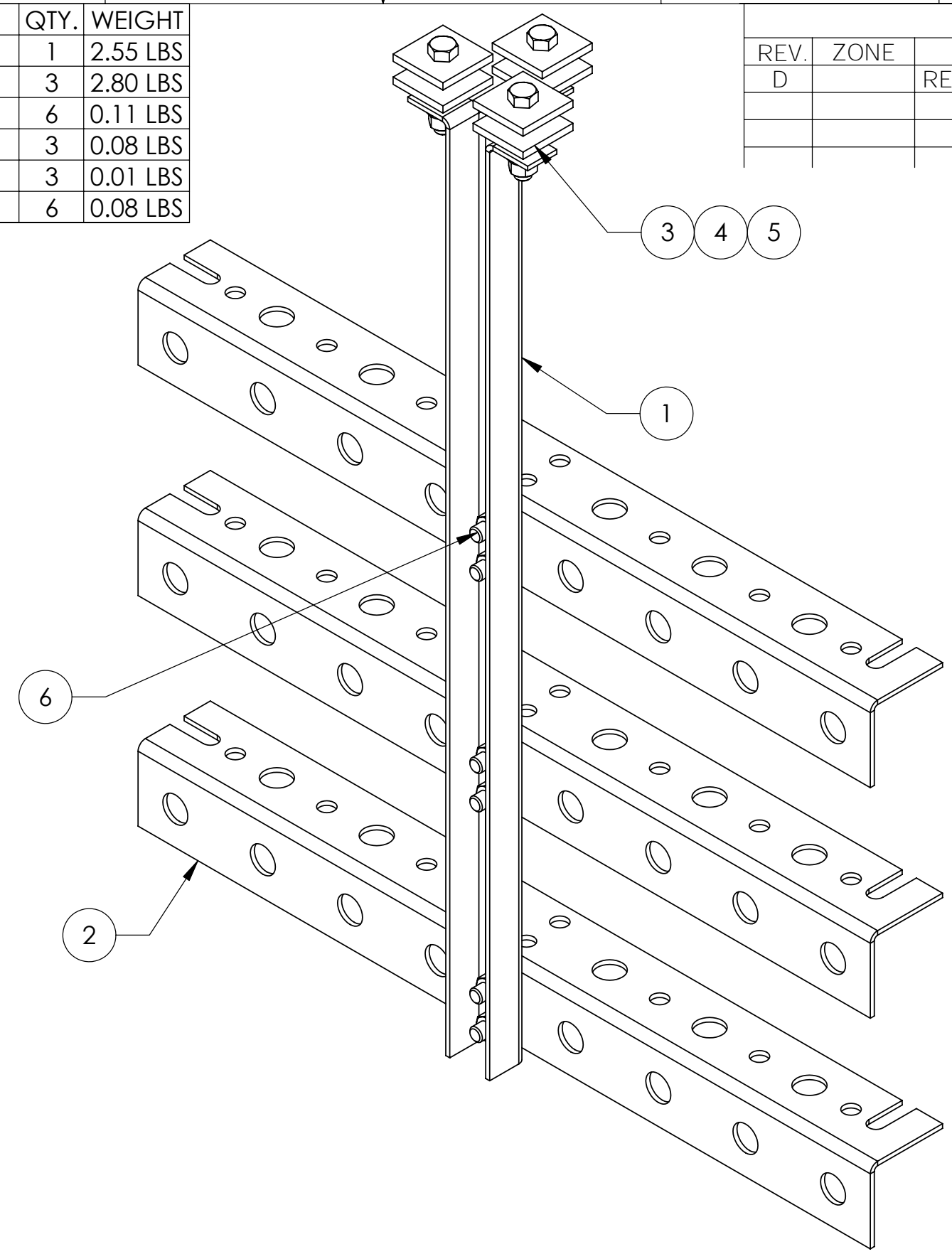


ITEM	PART NO.	DESCRIPTION	QTY.	WEIGHT
1	WBT243.01	VERTICAL TRAPEZE SECTION	1	2.55 LBS
2	WBT243.02	HORIZONTAL TRAPEZE SECTION	3	2.80 LBS
3	MT387	SQUARE WASHER, 1½" X 1½" W/ 7/16" HOLE	6	0.11 LBS
4	GB03205	3/8" X 2" GALV BOLT KIT	3	0.08 LBS
5	GWFO3	3/8" GALV FLAT WASHER	3	0.01 LBS
6	GB03105	3/8" X 1" GALV BOLT KIT	6	0.08 LBS

REVISIONS				
REV.	ZONE	DESCRIPTION	BY	DATE
D		REVISED	DI	1/26/05



These drawings and specifications are proprietary property and may be used only for the specific purpose authorized in writing. ALL DIMENSIONS ARE IN INCHES U.O.S. TOLERANCES UNLESS OTHERWISE SPECIFIED: .X = .06 ANGLES 2° .XX = .03 FRACTIONS 1/32 .XXX = .010 REMOVE BURRS AND BREAK EDGES .005 DO NOT SCALE THIS PRINT	DRAWN BY: DI	SHEET: 1 of 1	PART NUMBER: WBT243
	CHECKED BY: TP	SCALE: NTS	DESCRIPTION: TRAPEZE KIT
	DATE: 1/27/05	MATERIAL: A36	DRAWING TYPE: ASSEMBLY DRAWING
	REVISION: D	FINISH: GALV A123	WEIGHT: 12.43 LBS