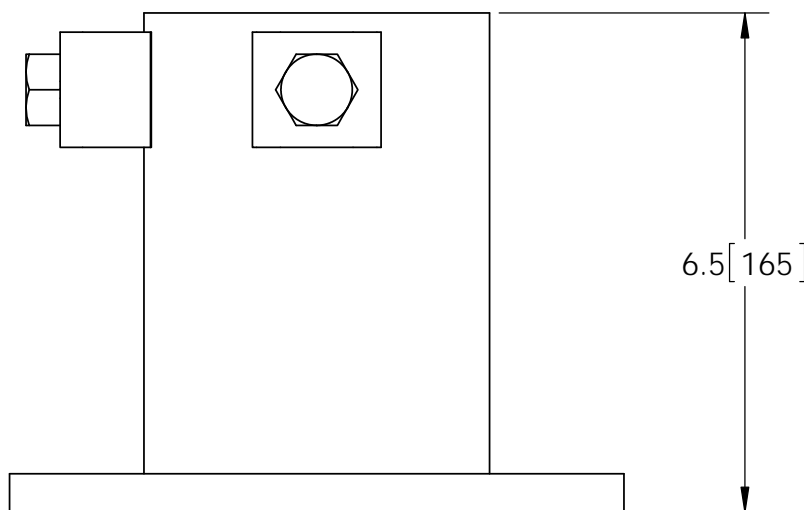
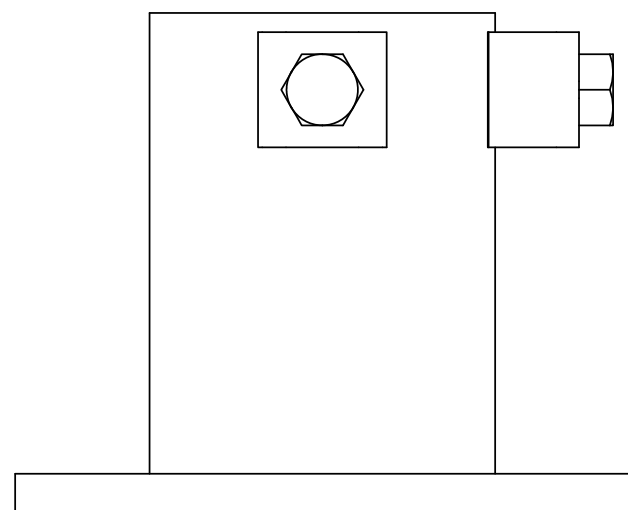
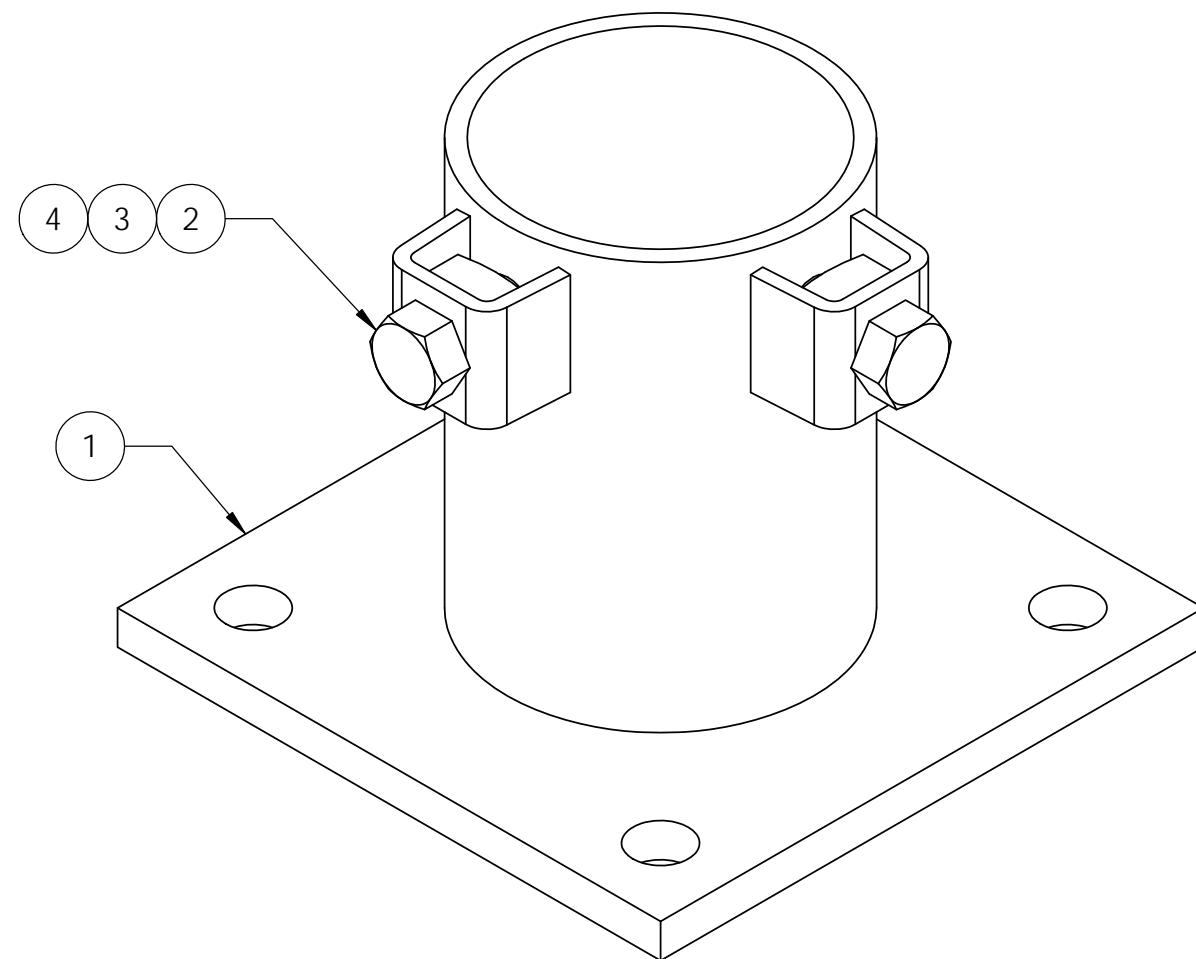
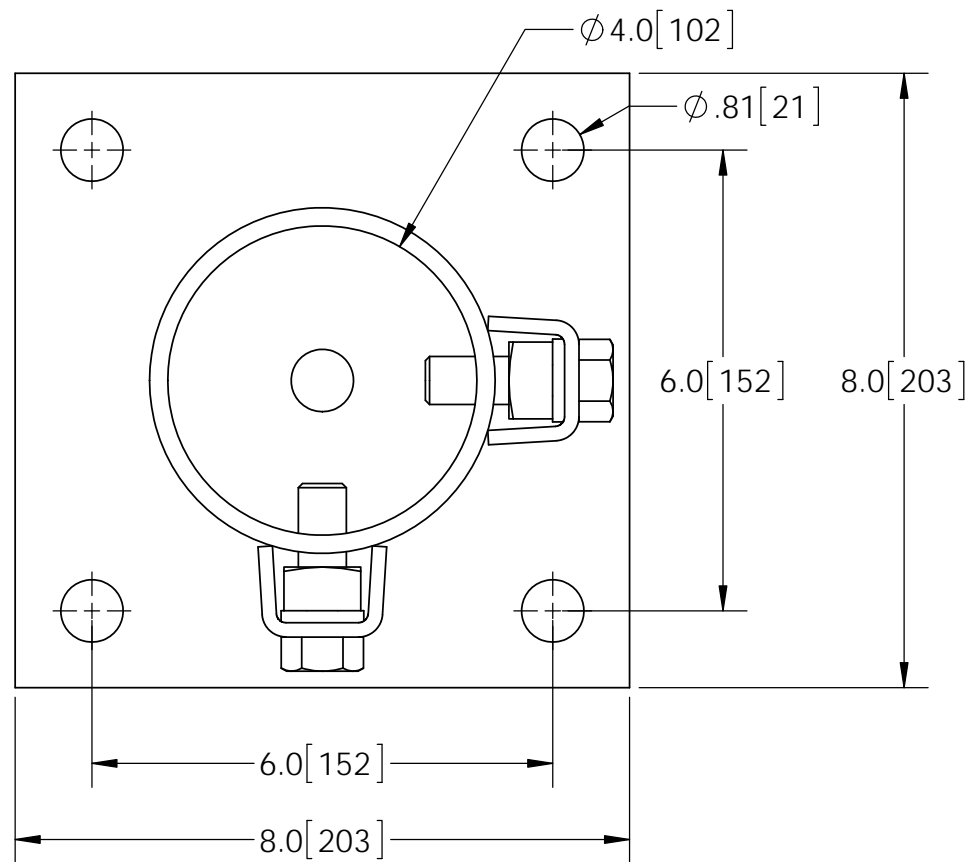


ITEM	PART NO.	DESCRIPTION	QTY.	WEIGHT
1	WBBS.01	WELDED BASE SHOE	1	14.46 LBS
2	GB05205.01	5/8"-11 UNC X 2" GALV HEX BOLT	2	0.27 LBS
3	GWL-06	5/8" GALV LOCK WASHER	2	0.03 LBS
4	SQN-06	5/8"-11 UNC GALV SQUARE NUT	2	0.12 LBS

REVISIONS					
REV.	ECN	ZONE	DESCRIPTION	BY	DATE
A			INITIAL RELEASE	ACG	10/18/13



NOTES:

- ALL METRIC DIMENSIONS ARE IN BRACKETS.
- STAMP PART IDENTIFICATION NUMBER.
- WELDING WORKMANSHIP PER AWS D1.1, TABLE 6.1.

These drawings and specifications are the proprietary property of manufacturer and may be used only for the specific purpose authorized in writing by manufacturer.

ALL DIMENSIONS ARE IN INCHES U.O.S.
 TOLERANCES UNLESS OTHERWISE SPECIFIED:
 .X = ± .06 ANGLES ±2°
 .XX = ± .03 FRACTIONS ±1/32
 .XXX = ± .010
 REMOVE BURRS AND BREAK EDGES .005

DO NOT SCALE THIS PRINT

DRAWN BY: ACG	SHEET: 1 of 1	PART NUMBER: WBBS
CHECKED BY: CC	SCALE: NTS	DESCRIPTION: SLIP ON BASE SHOE KIT FOR 3-1/2" O.D. PIPE
DATE: 10/18/13	MATERIAL: A36, A53	DRAWING TYPE: ASSEMBLY DRAWING
REVISION: A	FINISH: GALV A123	
	WEIGHT: 15.30 LBS	