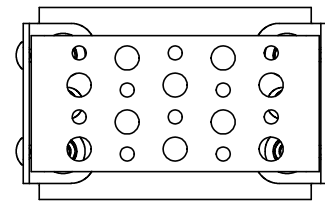
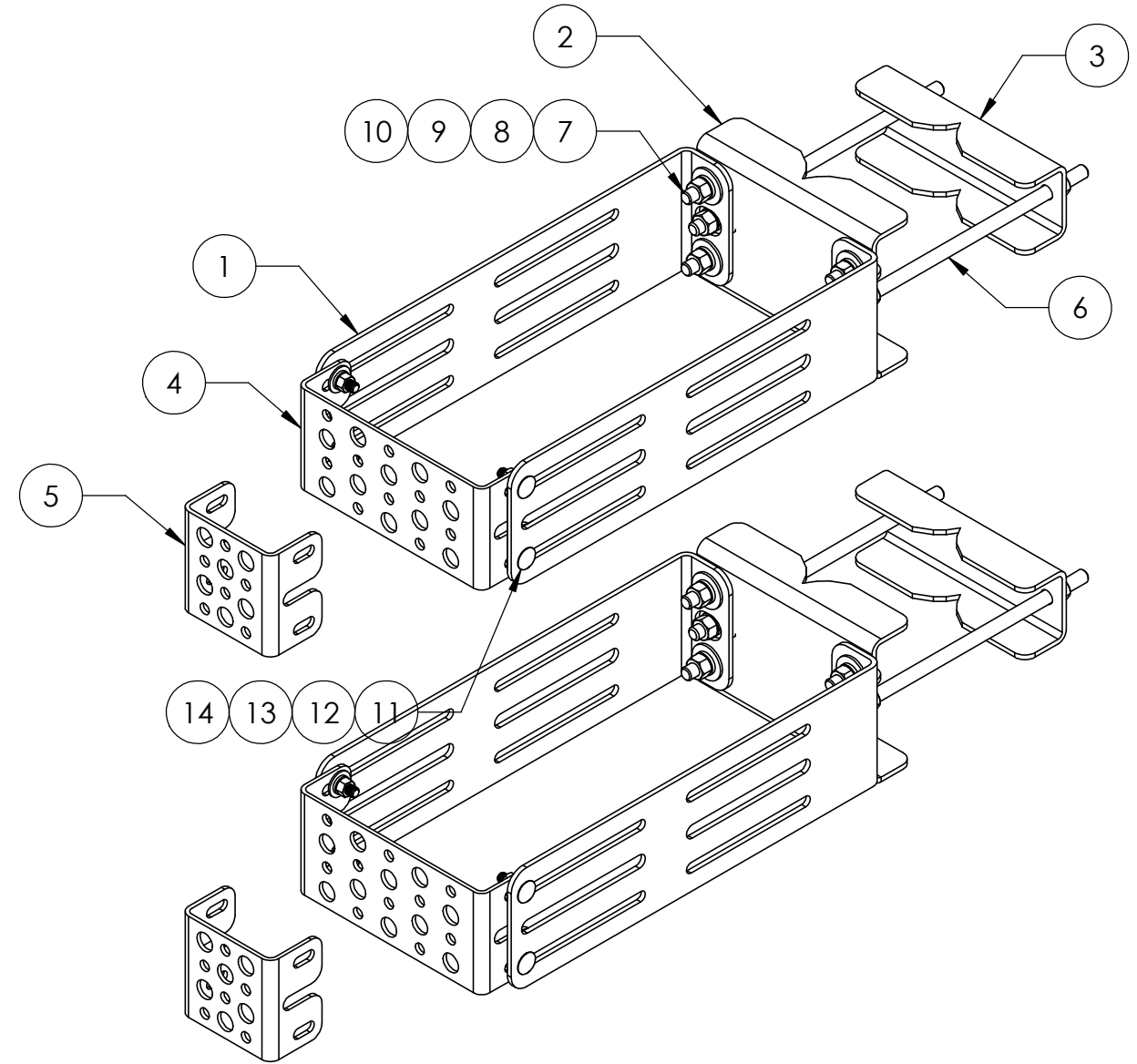
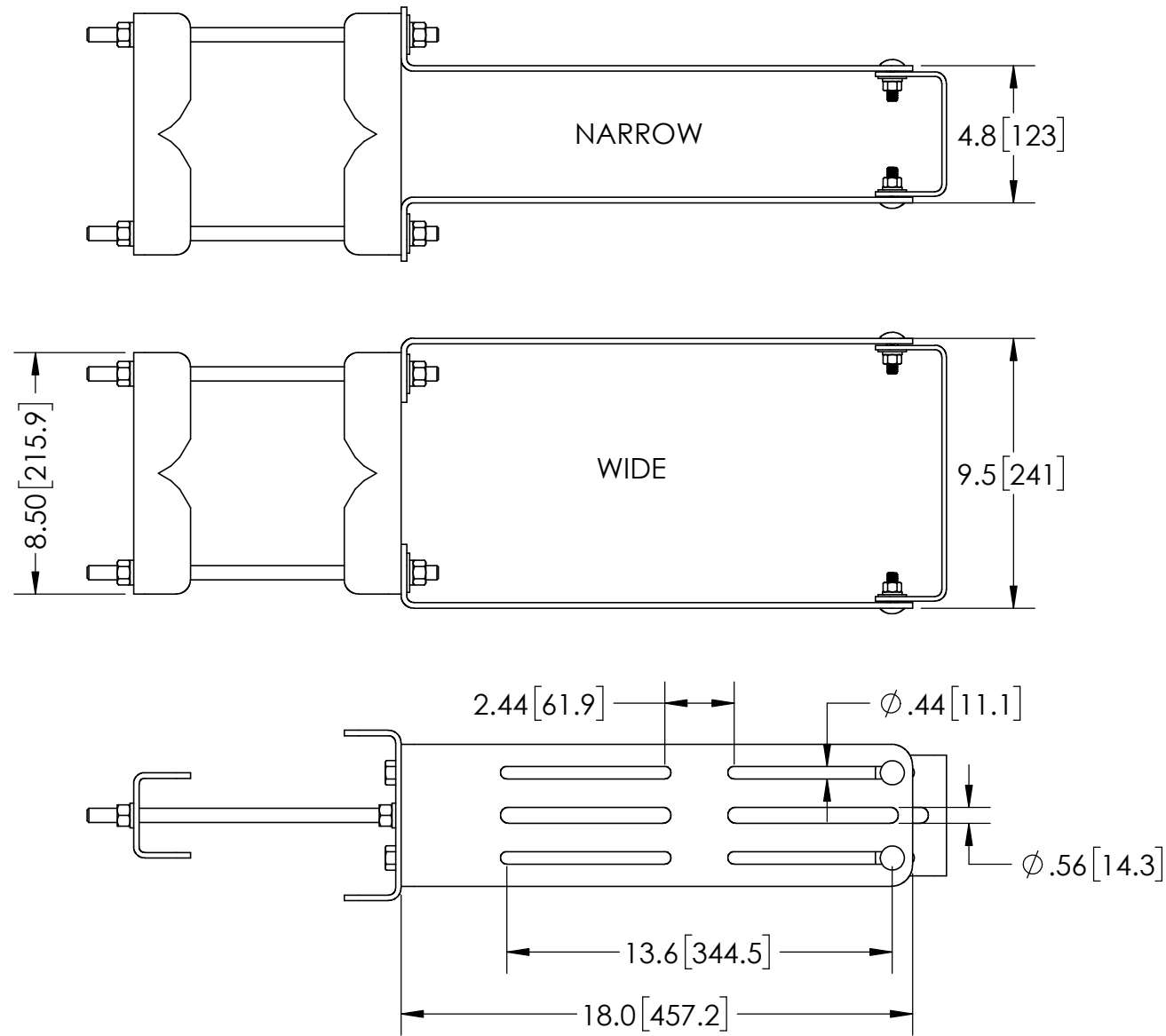


ITEM	PART NO.	DESCRIPTION	QTY.	WEIGHT
1	RRUMBL.01	RRU MOUNTING ANGLE	4	4.46 LBS
2	RRUMBL.02	FRONT MOUNTING BRACKET, WELDED	2	4.67 LBS
3	RRUMBL.03	BACKING BRACKET	2	2.83 LBS
4	RRUMBL.04	WIDE SUPPORT END MOUNT	2	2.10 LBS
5	RRUMBL.05	NARROW SUPPORT END MOUNT	2	1.33 LBS
6	GD041200	1/2"-13 UNC x 12" Galv Threaded Rod (A307)	4	0.67 LBS
7	GB04145.01	1/2-13 UNC X 1-1/2" GALV HEX BOLT (GRADE 5)	8	0.13 LBS
8	GWF04	1/2" GALV USS FLAT WASHER	8	0.04 LBS
9	GWL04	1/2" GALV LOCK WASHER	20	0.01 LBS
10	GN04	1/2-13 UNC GALV HEX NUT (Gr.5)	20	0.04 LBS
11	MTC8196	3/8-16 UNC X 1-1/4" GALV. CARRIAGE BOLT	8	0.055 LBS
12	GWF03	3/8" GALV USS FLAT WASHER	8	0.01 LBS
13	GWL03	3/8" GALV LOCK WASHER	8	0.01 LBS
14	GN03	3/8-16 UNC GALV HEX NUT (Gr.5)	8	0.02 LBS

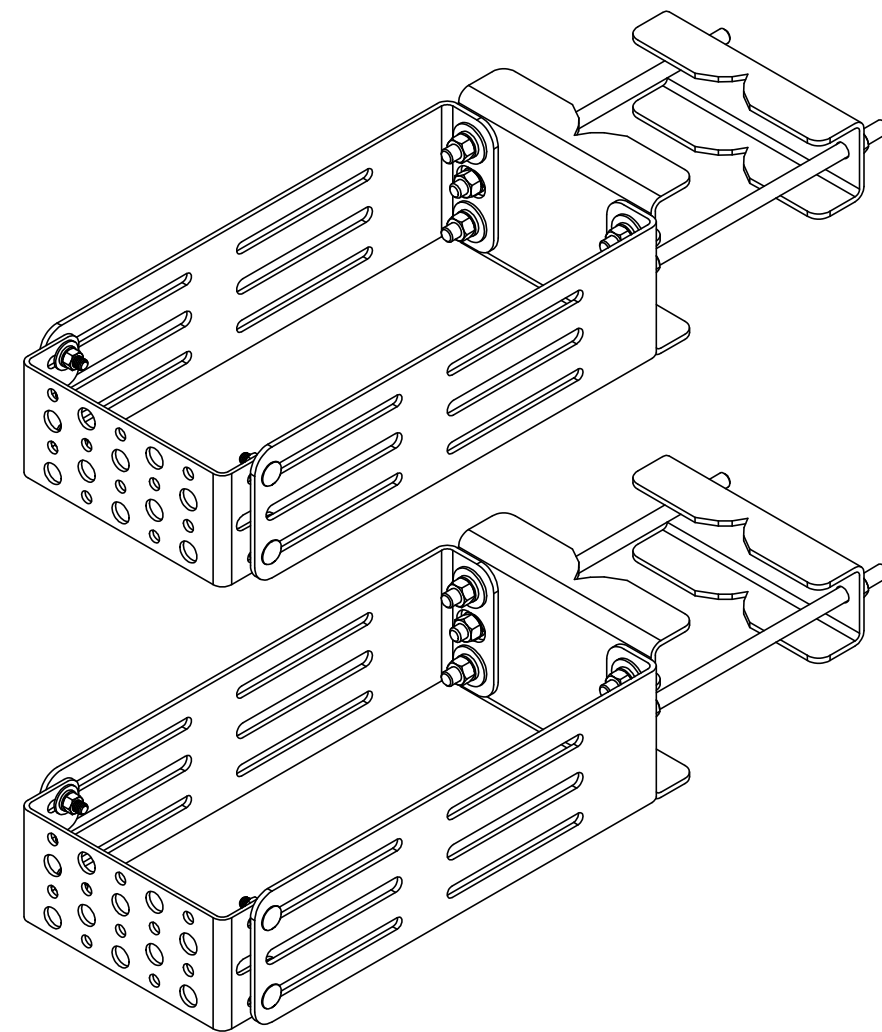
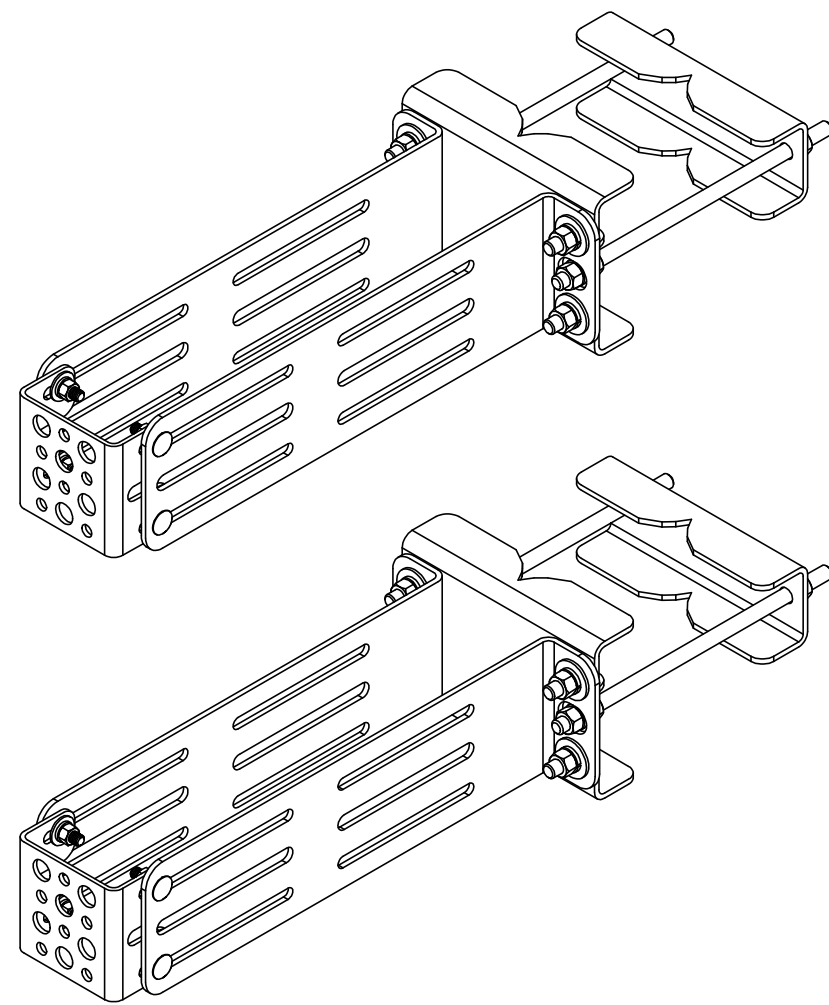
REVISIONS				
REV.	ZONE	DESCRIPTION	BY	DATE
A		INITIAL RELEASE	ACG	10/01/21



NOTES:

- ALL METRIC DIMENSIONS ARE IN BRACKETS.
- STAMP PART IDENTIFICATION NUMBER.
- WELDING WORKMANSHIP PER AWS D1.1, TABLE 6.1.

These drawings and specifications are proprietary property and may be used only for the specific purpose authorized in writing. ALL DIMENSIONS ARE IN INCHES U.O.S. TOLERANCES UNLESS OTHERWISE SPECIFIED: .X = ± .06 ANGLES ±2° .XX = ± .03 FRACTIONS ±1/32 .XXX = ± .010 REMOVE BURRS AND BREAK EDGES .005 DO NOT SCALE THIS PRINT	DRAWN BY: ACG	SHEET: 1 of 2	PART NUMBER: RRUMBL
	CHECKED BY: MKV	SCALE: NTS	DESCRIPTION: UNIVERSAL RRU MOUNT
	DATE: 10/01/21	MATERIAL: ASTM A1011/1018 Gr.36	DRAWING TYPE: ASSEMBLY DRAWING
	REVISION: A	FINISH: ASTM A123 WEIGHT: 42.94 LBS	



NOTES:

1. ALL METRIC DIMENSIONS ARE IN BRACKETS.
2. STAMP PART IDENTIFICATION NUMBER.
3. WELDING WORKMANSHIP PER AWS D1.1, TABLE 6.1.

These drawings and specifications are proprietary property and may be used only for the specific purpose authorized in writing. ALL DIMENSIONS ARE IN INCHES U.O.S. TOLERANCES UNLESS OTHERWISE SPECIFIED: .X = ± .06 ANGLES ±2° .XX = ± .03 FRACTIONS ±1/32 .XXX = ± .010 REMOVE BURRS AND BREAK EDGES .005 DO NOT SCALE THIS PRINT	DRAWN BY: ACG	SHEET: 2 of 2	PART NUMBER: RRUMBL
	CHECKED BY: MKV	SCALE: NTS	DESCRIPTION: UNIVERSAL RRU MOUNT
	DATE: 10/01/21	MATERIAL: ASTM A1011/1018 Gr.36	DRAWING TYPE: ASSEMBLY DRAWING
	REVISION: A	FINISH: ASTM A123 WEIGHT: 42.94 LBS	