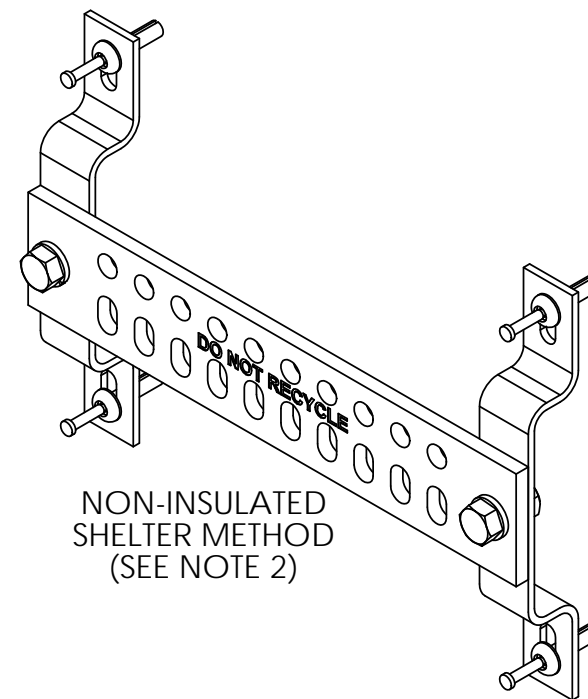
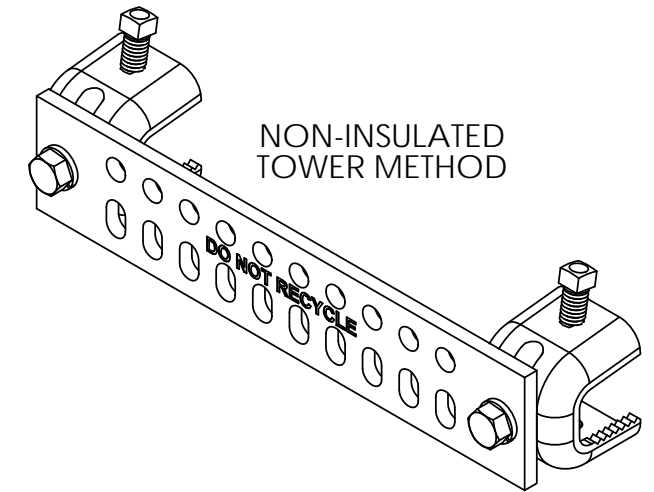
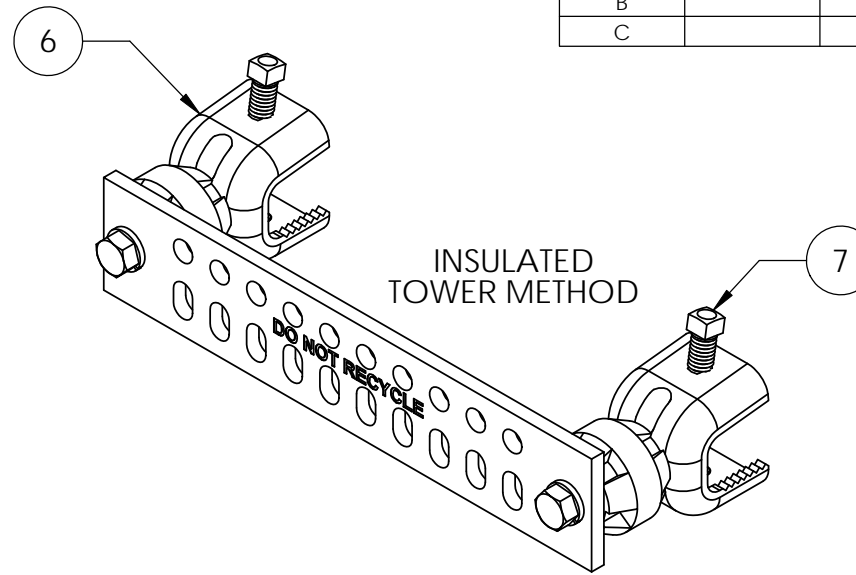
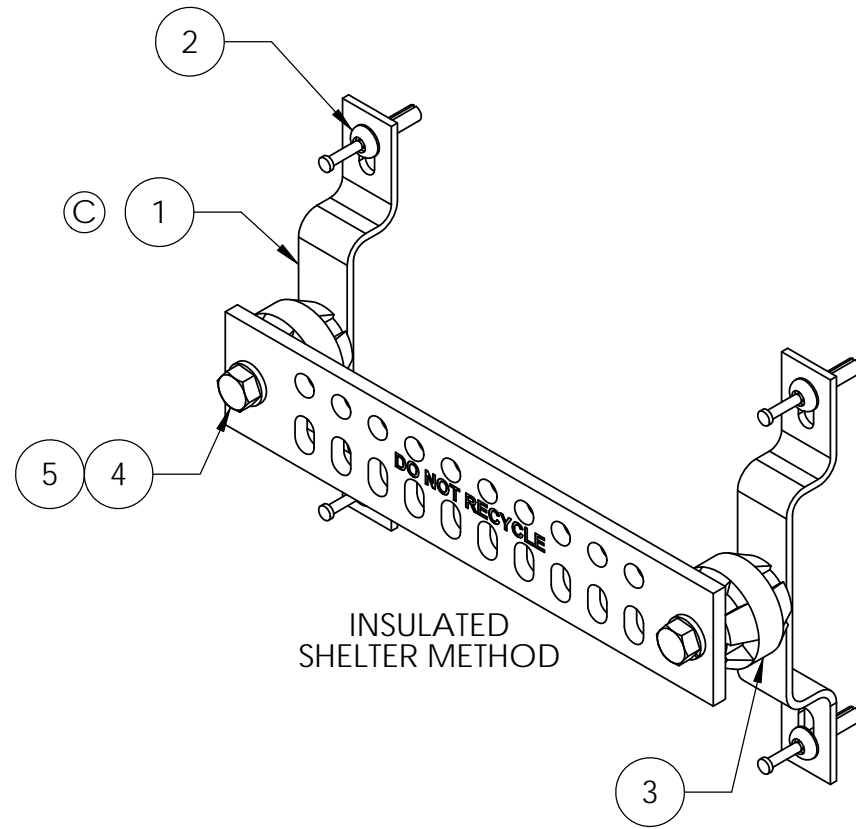


ITEM	PART NO.	DESCRIPTION	QTY.	WEIGHT
1	MT500GDP	STANDOFF BRACKET	2	0.28 LBS
2	DPA141ZP	6.5 x 25mm DRIVE PIN ANCHOR	4	0.02 LBS
3	MT520	INSULATOR W/ 3/8"-16 UNC THREADED INSERT	2	0.21 LBS
4	SB-0305	3/8"-16 UNC X 5/8" SS HEX BOLT	4	0.04 LBS
5	SWL-03	3/8" SS LOCK WASHER	4	0.01 LBS
6	45840G-1	GALV. ANGLE ADAPTOR	2	0.41 LBS
7	SB0316#4	3/8"-16 UNC X 1-3/4" S.S. SQUARE HEAD SET SCREW	2	0.05 LBS

REVISIONS				
REV.	ZONE	DESCRIPTION	BY	DATE
A		INITIAL RELEASE	ACG	03/16/10
B		UPDATE BRACKETS & ANGLE ADAPTORS	ACG	11/23/11
C		UPDATE ITEM #1	ACG	03/02/12



- NOTES:
1. BUSS BAR NOT INCLUDED (SHOWN FOR CLARITY).
 2. ORDER 3/8" SS NUTS SEPERATELY FOR NON-INSULATED SHELTER METHOD.

These drawings and specifications are the proprietary property and may be used only for the specific purpose authorized in writing. ALL DIMENSIONS ARE IN INCHES U.O.S. TOLERANCES UNLESS OTHERWISE SPECIFIED: .X = ± .06 ANGLES ±2° .XX = ± .03 FRACTIONS ±1/32 .XXX = ± .010 REMOVE BURRS AND BREAK EDGES .005 DO NOT SCALE THIS PRINT	DRAWN BY: ACG	SHEET: 1 of 1	PART NUMBER: GB-HK-DPU
	CHECKED BY: CC	SCALE: NTS	DESCRIPTION: UNIVERSAL BUSS BAR KIT
	DATE: 03/16/10	MATERIAL: N/A	DRAWING TYPE: ASSEMBLY DRAWING
	REVISION: C	FINISH: N/A WEIGHT: 5.72 LBS	