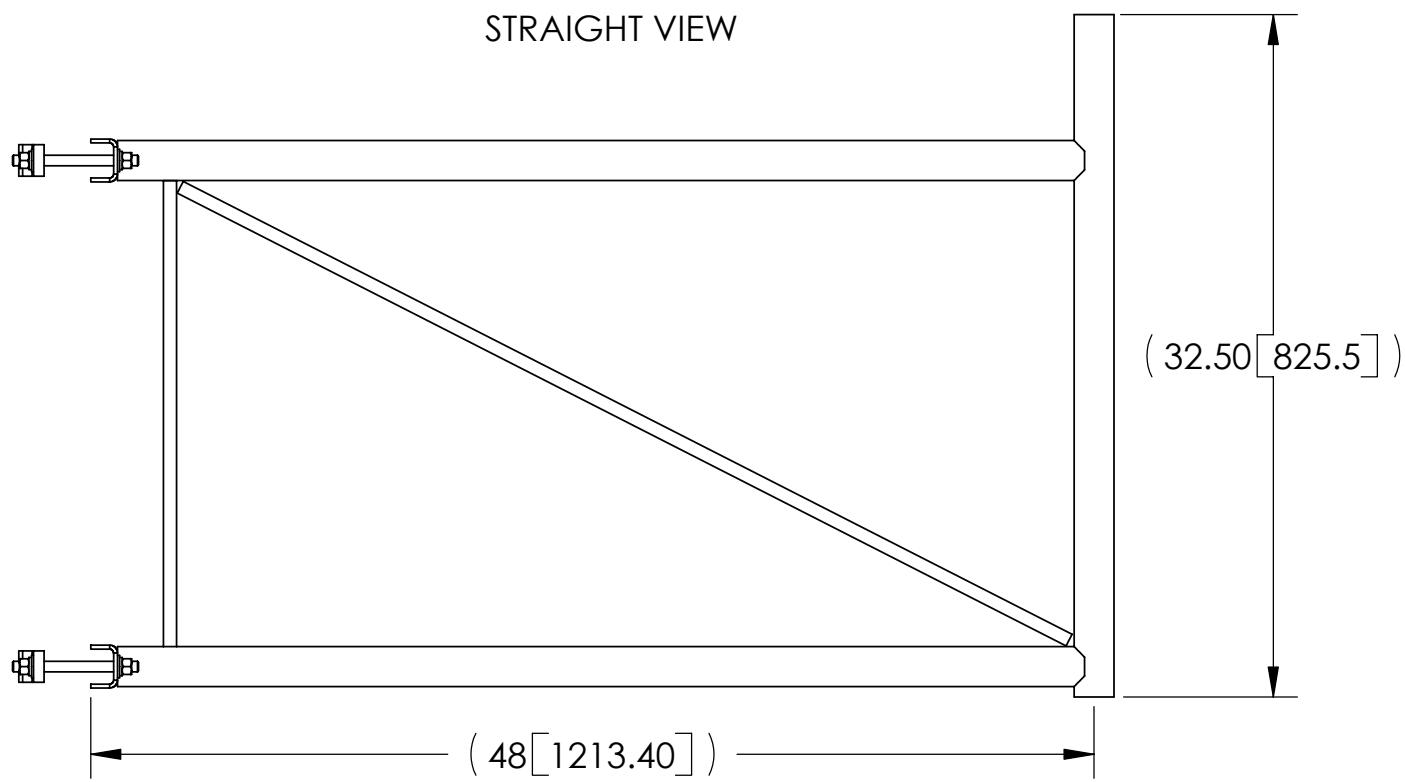
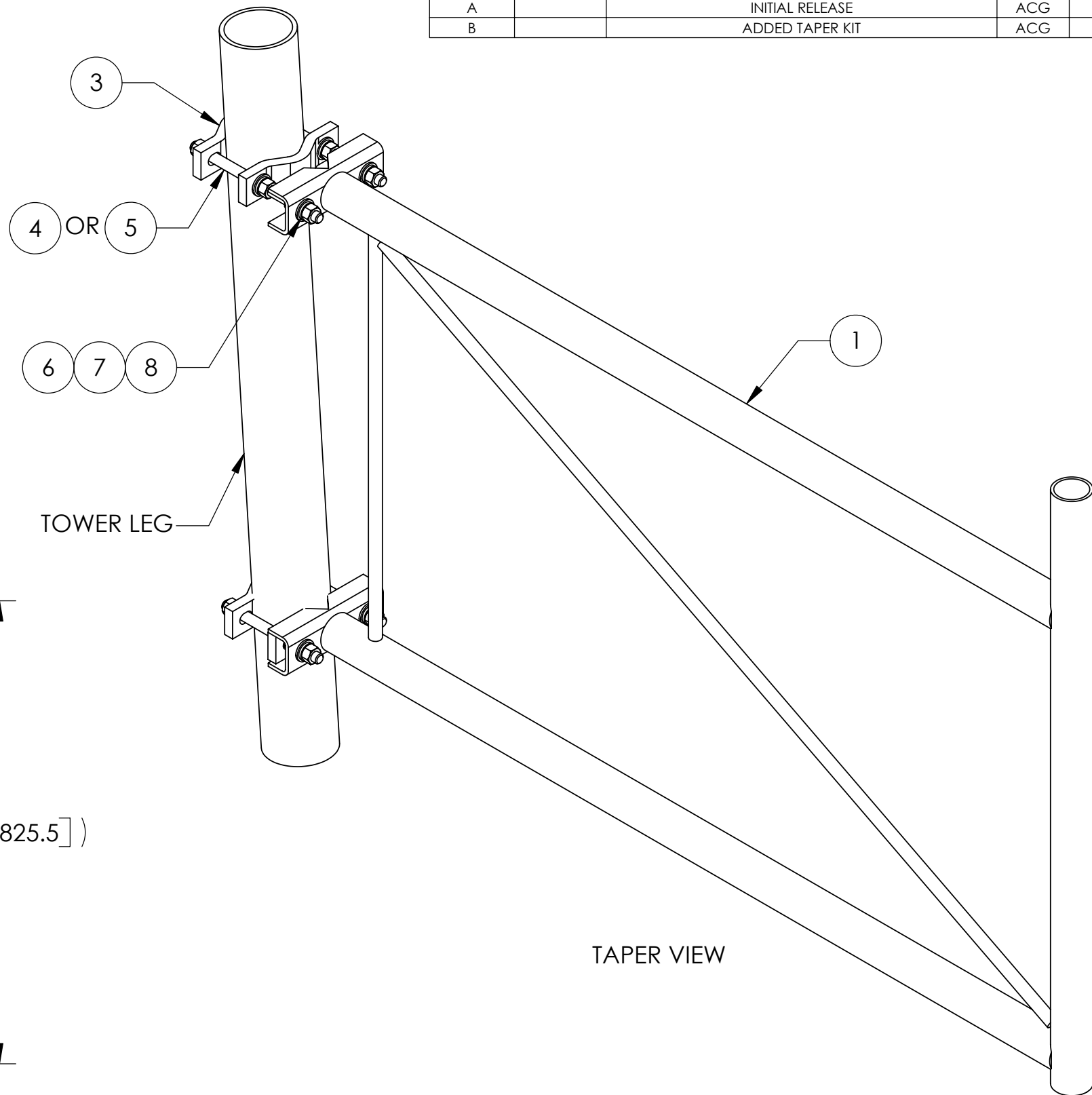


ITEM	PART NO.	DESCRIPTION	QTY.	WEIGHT
1	S400.01	48" STANDOFF WELDMENT	1	36.38 LBS
2	SH01	HARDWARE KIT (ITEMS 3-8)	1	
3	SCP10	SMALL DISH CLAMP HALF	4	1.20 LBS
4	MT3796	1/2" X 6" GALV THREADED ROD	4	0.33 LBS
5	MT3798	1/2" X 8" GALV THREADED ROD	2	0.44 LBS
6	GWF04A	1/2" GALV FLAT WASHER (A325)	14	0.02 LBS
7	GN04A	1/2" GALV HEX NUT (A325)	14	0.14 LBS
8	GWL04	1/2" GALV LOCK WASHER	14	0.01 LBS

REVISIONS				
REV.	ZONE	DESCRIPTION	BY	DATE
A		INITIAL RELEASE	ACG	04/05/05
B		ADDED TAPER KIT	ACG	08/18/06



NOTES:

1. FITS $\phi 1\frac{1}{2}$ " O.D. TO $\phi 3\frac{1}{2}$ " O.D. ROUND TOWER LEGS.
2. ADDITIONAL CLAMP SETS THAT ADAPT TO LARGER ROUND LEGS, ANGLE LEGS, OR TAPERED MEMBERS MAY BE PURCHASED SEPARATELY.

<small>These drawings and specifications are proprietary property and may be used only for the specific purpose authorized in writing.</small> ALL DIMENSIONS ARE IN INCHES U.O.S. TOLERANCES UNLESS OTHERWISE SPECIFIED: .X = ± .06 ANGLES ±2° .XX = ± .03 FRACTIONS ±1/32 .XXX = ± .010 REMOVE BURRS AND BREAK EDGES .005 DO NOT SCALE THIS PRINT	DRAWN BY: ACG	SHEET: 1 of 1	PART NUMBER: S400
	CHECKED BY: TP	SCALE: NTS	DESCRIPTION: 48" STAND-OFF BRACKET
	DATE: 04/05/05	MATERIAL: A36, A53	DRAWING TYPE: ASSEMBLY DRAWING
	REVISION: B	FINISH: GALV A123	WEIGHT: 44.42 LBS