

# PRODUCT REFERENCE SHEET

©2020

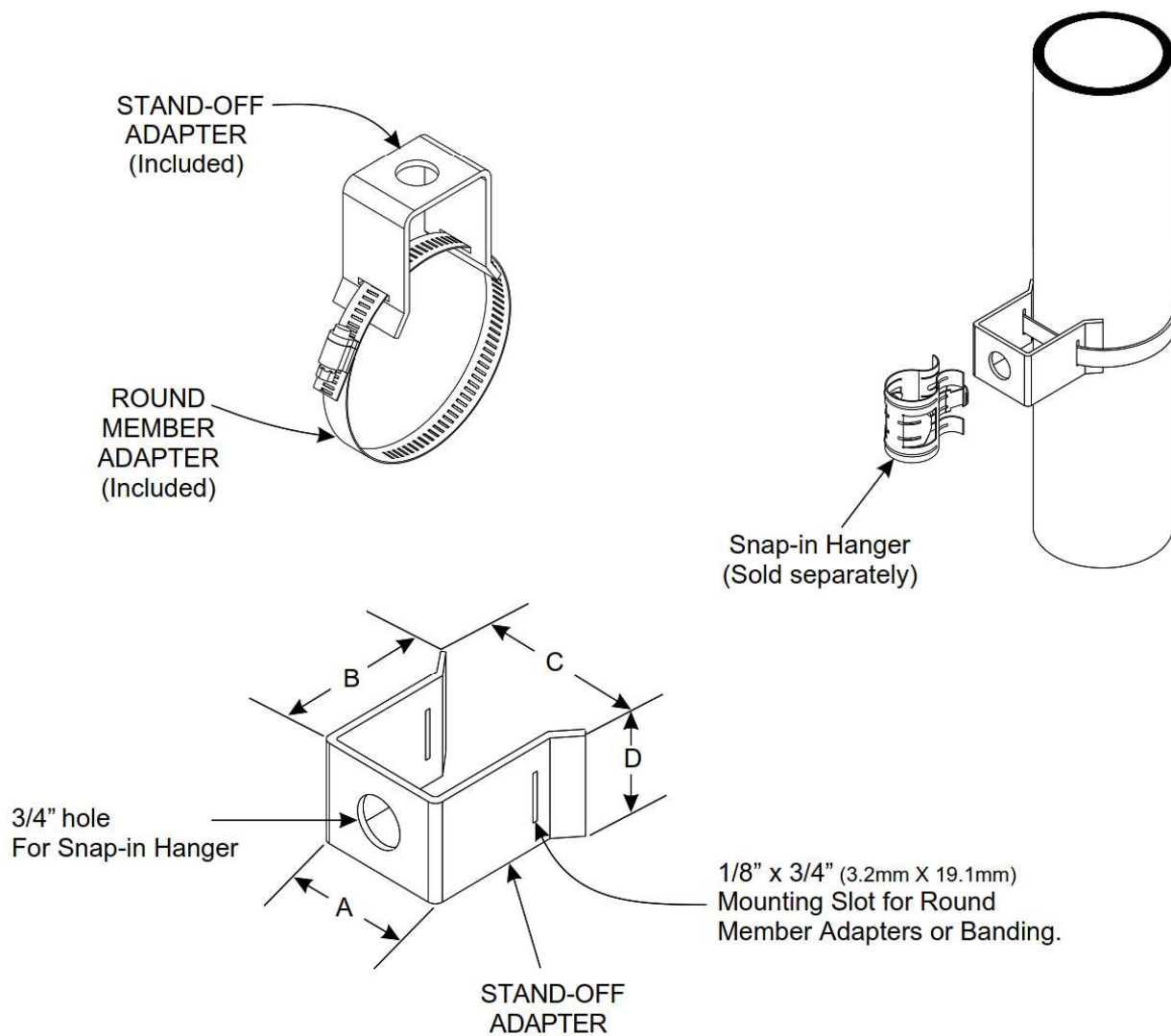
## Stand-off Adapter Kits for Snap-in Hanger Applications

1547 PR B (Page 1 of 2)

### PRODUCT DESCRIPTION

Stand-off Adapter Kits enable hangers to be mounted to 1" (25.4mm) or larger round members. The Stand-off Adapter is made to accommodate Snap-in Hangers. The Stand-off Adapter is available in stainless steel to provide excellent corrosion resistance and ensure long term integrity in extreme weather applications. Round Member Adapters, which are included in certain kits, are manufactured from stainless steel as well. Please see chart for specific material list of each kit.

### TYPICAL APPLICATIONS



# SPECIFICATIONS

STAND-OFF ADAPTER KITS							
Part #	Description	"A"	"B"	"C"	"D"	Round Member Adapter Qty	Stand-off Adapter Qty
SA-SS	SST Snap-in Adapter	1.75" (44.5mm)	2.25" (57.2mm)	2.375" (60.3mm)	1.50" (38.1mm)	0	10
SA-SS100	SST Stand-off Adapter for 1" to 2" (25.4mm to 50.8mm) OD members	1.25" (31.8mm)	1.50" (38.1mm)	1.50" (38.1mm)	1.50" (38.1mm)	10	10
SA-SS200	SST Stand-off Adapter for 2" to 3" (50.8mm to 76.2mm) OD members	1.75" (44.5mm)	2.25" (57.2mm)	2.375" (60.3mm)	1.50" (38.1mm)	10	10
SA-SS300	SST Stand-off Adapter for 3" to 4" (76.2mm to 101.6mm) OD members	1.75" (44.5mm)	2.25" (57.2mm)	2.375" (60.3mm)	1.50" (38.1mm)	10	10
SA-SS400	SST Stand-off Adapter for 4" to 5" (101.6mm to 127mm) OD members	1.75" (44.5mm)	2.25" (57.2mm)	2.375" (60.3mm)	1.50" (38.1mm)	10	10
SA-SS500	SST Stand-off Adapter for 5" to 6" (127mm to 152.4mm) OD members	1.75" (44.5mm)	2.25" (57.2mm)	2.375" (60.3mm)	1.50" (38.1mm)	10	10
SA-SS600	SST Stand-off Adapter for 6" to 8" (152.4mm to 203.2mm) OD members	1.75" (44.5mm)	2.25" (57.2mm)	2.375" (60.3mm)	1.50" (38.1mm)	10	10