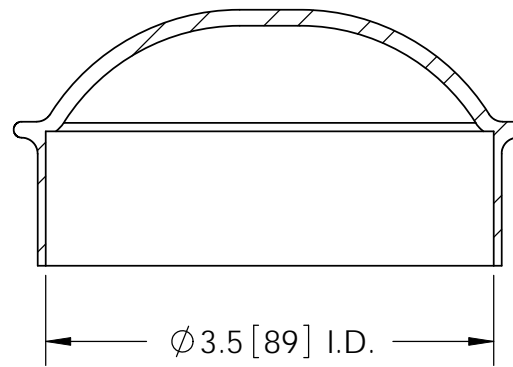
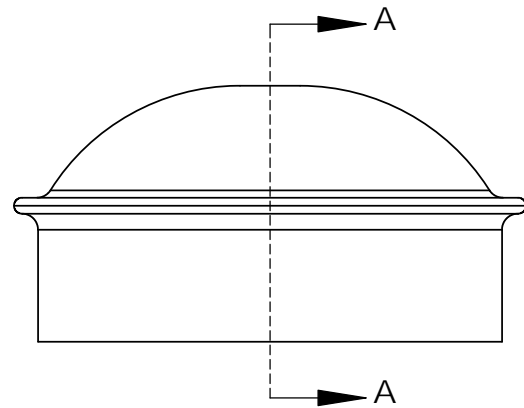
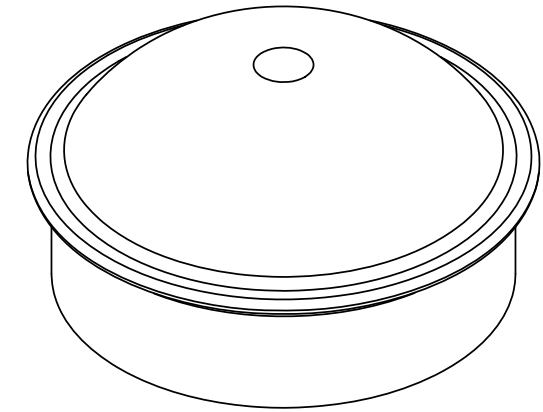
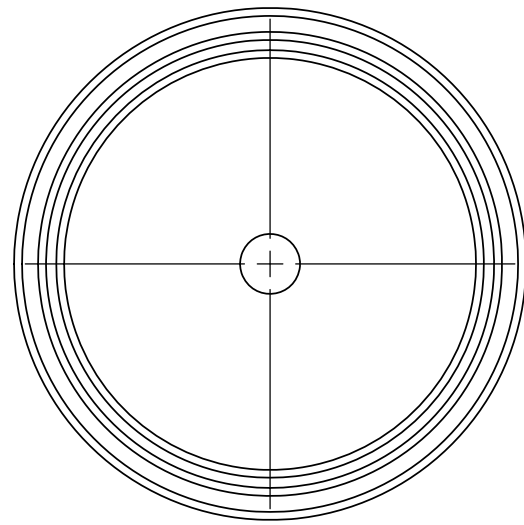


REVISIONS					
REV.	ECN	ZONE	DESCRIPTION	BY	DATE
A			INITIAL RELEASE	ACG	09/29/11



SECTION A-A  
SCALE 1 : 1.5

Ø 3.5 [89] I.D.

- NOTES:
1. ALL METRIC DIMENSIONS ARE IN BRACKETS.
  2. STAMP PART IDENTIFICATION NUMBER.

These drawings and specifications are proprietary property and may be used only for the specific purpose authorized in writing.

ALL DIMENSIONS ARE IN INCHES U.O.S.  
TOLERANCES UNLESS OTHERWISE SPECIFIED:  
.X = ± ANGLES  
.XX = ± FRACTIONS  
.XXX = ±  
REMOVE BURRS AND BREAK EDGES .005

DO NOT SCALE THIS PRINT

DRAWN BY: ACG	SHEET: 1 of 1	PART NUMBER: PC034
CHECKED BY: CC	SCALE: NTS	DESCRIPTION: Ø 3-1/2" O.D. PIPE CAP
DATE: 09/29/11	MATERIAL: A53	DRAWING TYPE: ASSEMBLY DRAWING
REVISION: A	FINISH: GALV A123	
	WEIGHT: 0.74 LBS	