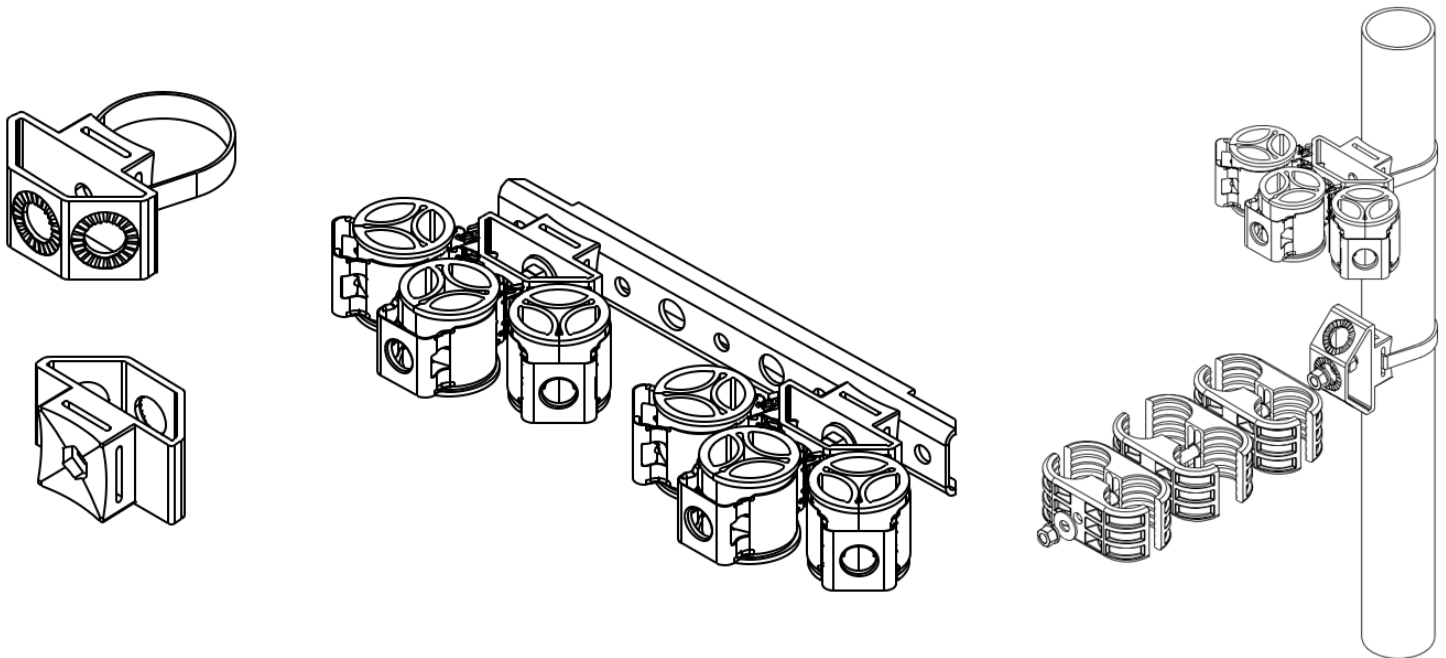


3-Way Universal Standoff Adapter1799 IB B

PRODUCT DESCRIPTION

3-way Universal Stand-off Adapter provides a low passive intermodulation solution to mount cable hangers. Slots on both sides of the product allow hangers to be mounted vertically or horizontally to flat or round members using 1/2" Acetal tie wraps (sold separately). The Adapter will accommodate hangers that use 3/4" mounting hole or other accessories which utilize a 3/8" hole (3/8" threaded rod applications). Adapter has a hexagonal slot on the underside for a 3/8" nut for ease of installation of threaded rod. Serrations around the 3/4" openings help to align the hangers or cable blocks in the desired orientation. 3-way standoff adapter is made of weather resistant, UV resistant and chemical resistant PA6 material for strength and longevity.

TYPICAL APPLICATIONS

**Installation method:**

Use the slots on both sides of the adapter for Acetal tie wraps (sold separately) to mount it to a flat or round member. Slots are wide enough to receive 2 acetal tie wraps in case of heavy-duty application. Once mounted on the desired surface, tighten the tie wraps using tensioning tool to secure the adapter firmly and cut off the excess band using the tensioning tool.

If using a threaded bolt/rod to mount the adapter use the 3/8" hole at the bottom to secure it to desired location. Adapter is equipped with a hexagonal slot on the underside to lock in a 3/8" nut for ease of install. Use a flat washer, lock washer and a 3/8" nut on the other side to ensure the assembly does not loosen over time due to vibration or any other external factors.
