

PRODUCT REFERENCE SHEET

©2020

Angle Adapter Kits for Hanger Applications

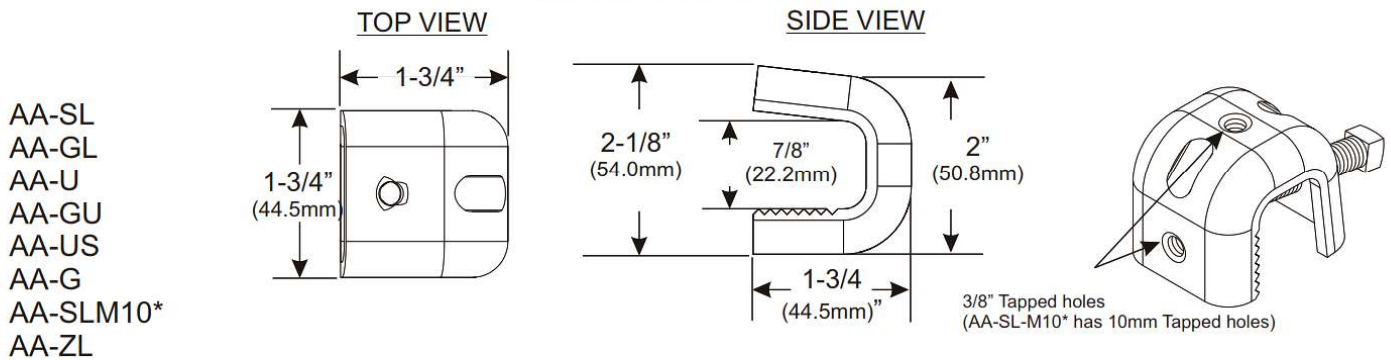
1141 PRL

PRODUCT DESCRIPTION

Angle Adapters provide an effective transition allowing the installer to easily secure hangers to solid angle members or in areas where mounting holes are not easily accessible. The 8 ga. stainless steel construction remains corrosion free ensuring long term system integrity throughout extreme weather conditions. The steel set bolt locks the angle adapter to standard tower members or to mounting surfaces less than 7/8" thick. The toothed jaw effectively secures large volumes of coax in heavy wind and ice loading conditions. Three 3/8" tapped holes enable the Angle Adapter to accommodate hanger types which utilize 3/8" mounting hardware. Angle Adapter Kits include 10 angle adapters, set bolts fillister screws and washers.

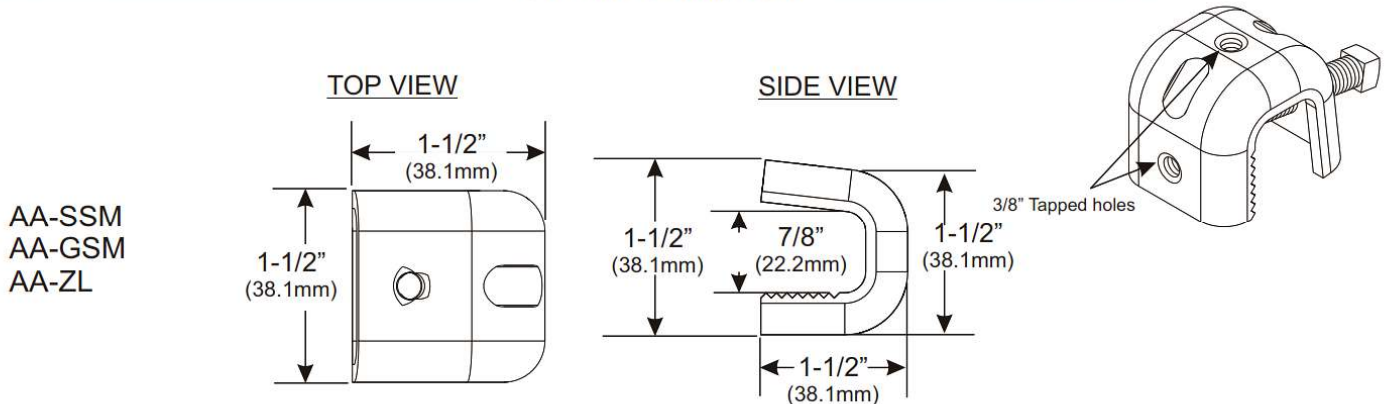
TYPICAL APPLICATIONS

LARGE VERSION



***Note: Dimensions are for reference only**

SMALL VERSION



MATERIAL SPECIFICATIONS

AA-SL.....Stainless Steel, Large 304 SS
AA-GL.....Galvanized Steel, Large A153
AA-U.....Stainless Steel, 304SS
AA-G.....Galvanized Steel, A153, Snap-in
AA-US.....Stainless Steel, 304SS, Snap-in
AA-ZL.....Zinc Plated Steel, B633

AA-GU.....Galvanized Steel, A153
AA-SSM.....Stainless Steel, Small, 304SS
AA-GSM.....Galvanized Steel, Small, 304SS
AA-AM.....Aluminum, Metric Version
AA-SL-M10*.....Stainless Steel, Large, 304SS, Metric Version
AA-ZLM.....Zinc Plated Steel, Small, B633

***Note: Dimensions are for reference only**