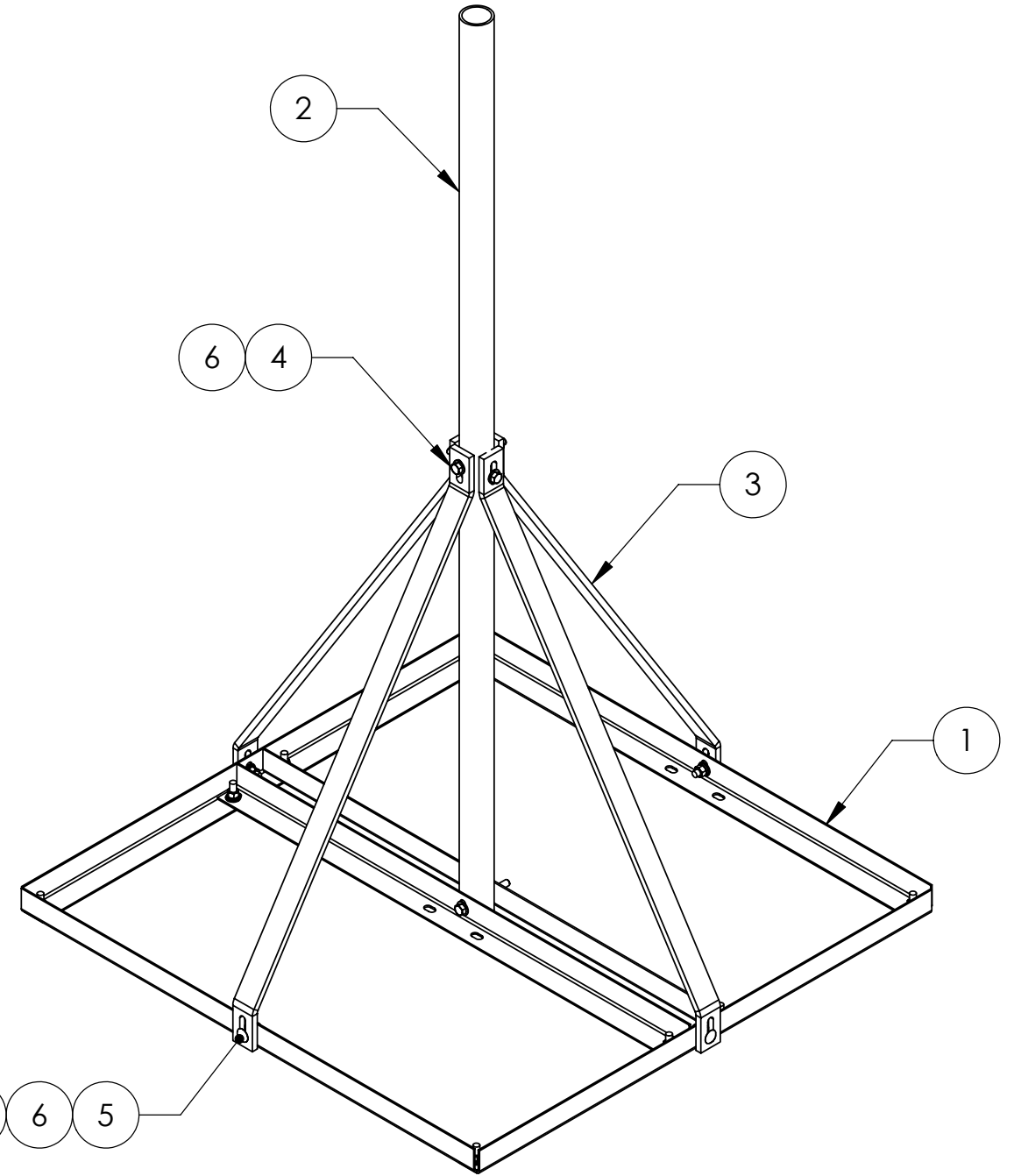
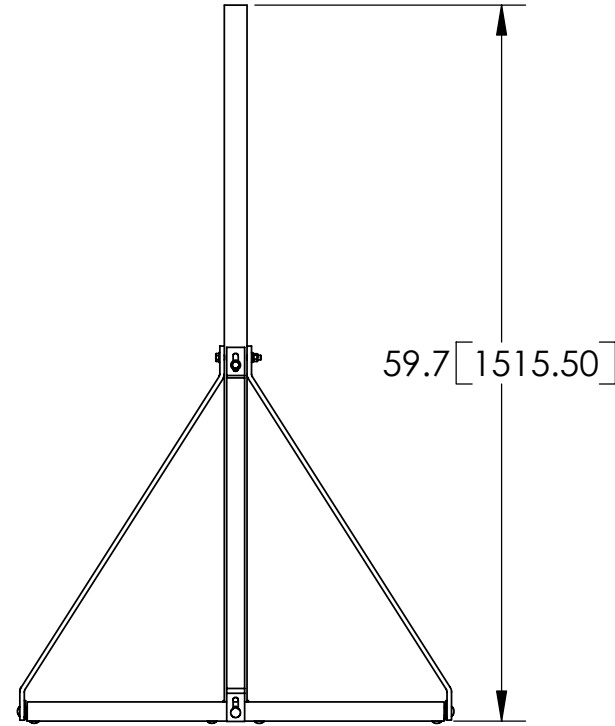
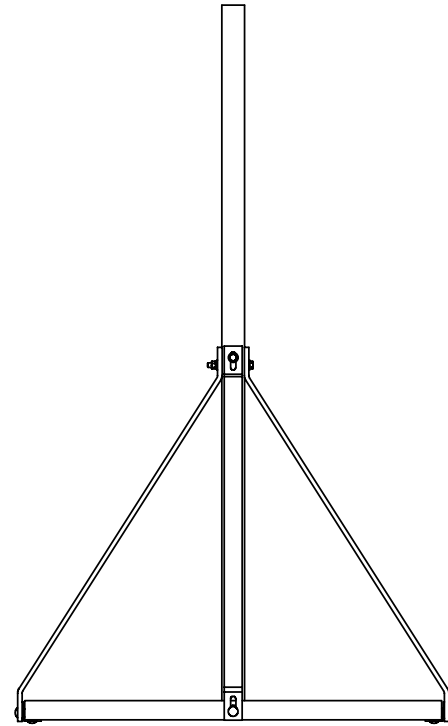
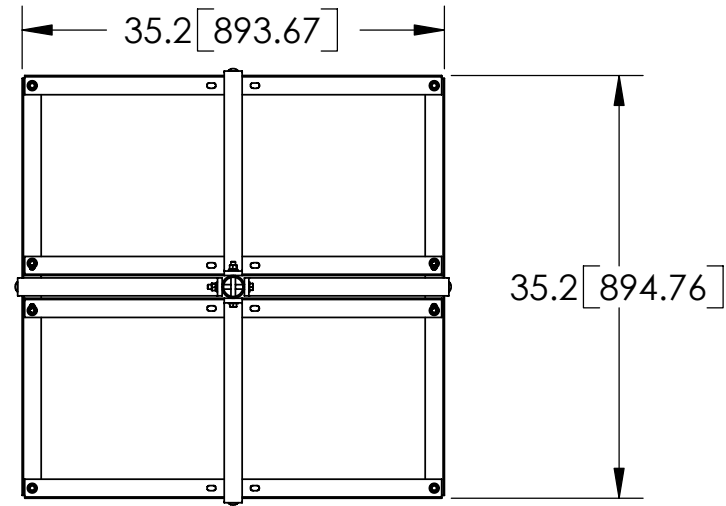


ITEM	PART NO.	DESCRIPTION	QTY.	WEIGHT
1	RMSM190.01	ANGLE	6	3.03 LBS
2	RMSM19060.01	VERTICAL PIPE MOUNT	1	13.37 LBS
3	RMSM19060.02	PIPE BRACE	4	5.58 LBS
4	GB-03345	3/8" X 3-1/2" GALV BOLT KIT	3	0.13 LBS
5	MTC8196	3/8" X 1-1/4" CARRIAGE BOLT	12	0.06 LBS
6	GWF-03	3/8" GALV FLAT WASHER	18	0.01 LBS
7	GWL-03	3/8" GALV LOCK WASHER	12	0.01 LBS
8	GN-03	3/8" GALV HEX NUT	12	0.33 LBS

REVISIONS				
REV.	ZONE	DESCRIPTION	BY	DATE
A		INITIAL RELEASE	ACG	12/11/02
B		ADDED VIEWS, REDRAWN IN SOLIDWORKS	ACG	07/18/06



NOTES:
1. ALL METRIC DIMENSIONS ARE IN BRACKETS.

These drawings and specifications are proprietary property and may be used only for the specific purpose authorized in writing. ALL DIMENSIONS ARE IN INCHES U.O.S. TOLERANCES UNLESS OTHERWISE SPECIFIED: .X = ± .06 ANGLES ±2° .XX = ± .03 FRACTIONS ±1/32 .XXX = ± .010 REMOVE BURRS AND BREAK EDGES .005 DO NOT SCALE THIS PRINT	DRAWN BY: ACG	SHEET: 1 of 1	PART NUMBER: RMSM19060
	CHECKED BY: TP	SCALE: NTS	DESCRIPTION: TRIPOD ANTENNA MOUNT
	DATE: 07/18/06	MATERIAL: A36, A53, A568	DRAWING TYPE: ASSEMBLY DRAWING
	REVISION: B	FINISH: GALV A123	WEIGHT: 55.44 LBS