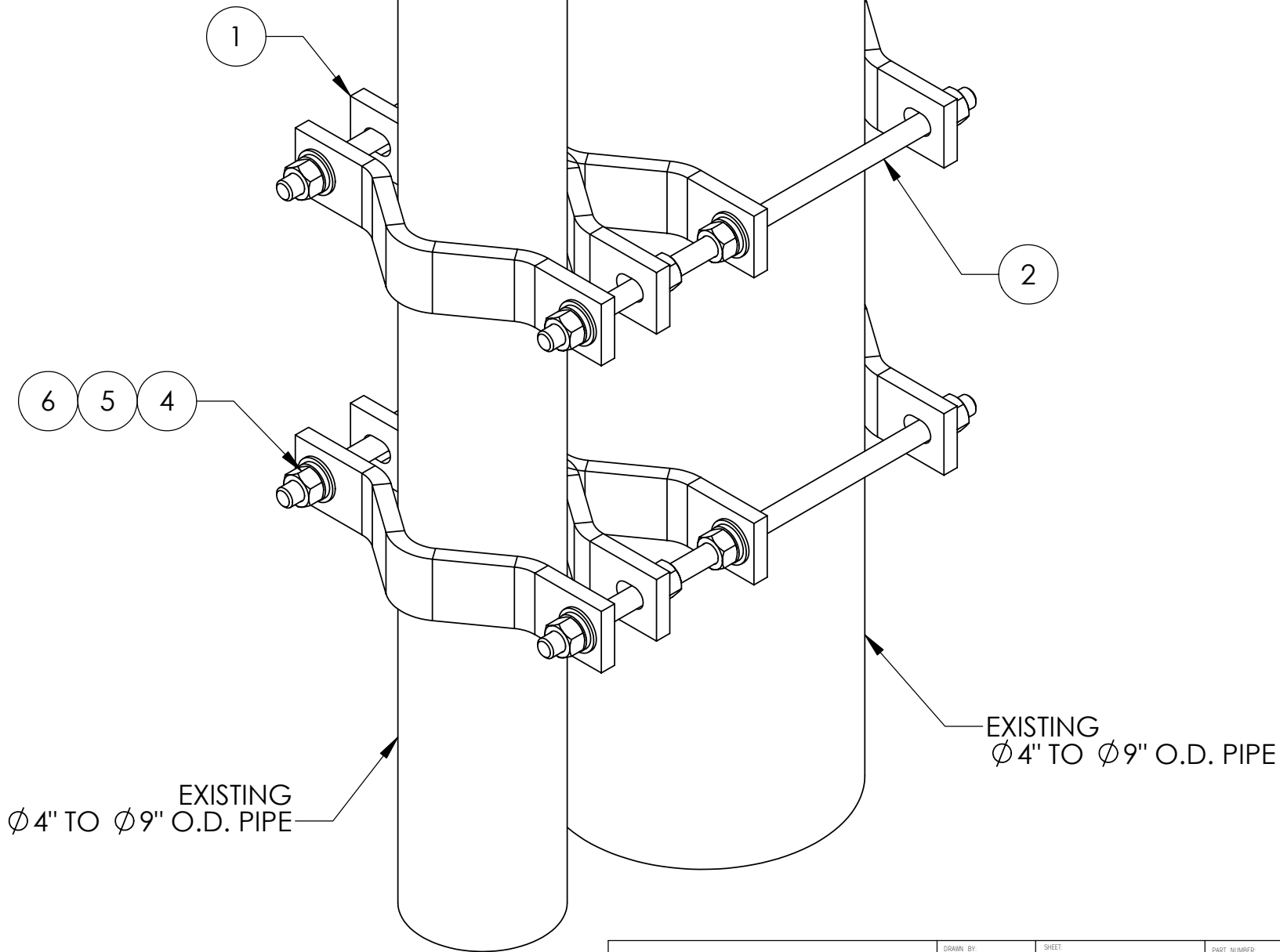


ITEM	PART NO.	DESCRIPTION	QTY.	WEIGHT
1	MCP10	MEDIUM CLAMP HALF	8	3.36 LBS
2	MT38216	5/8" X 16" THREADED ROD	4	1.28 LBS
3	HB5816	HARDWARE KIT (ITEMS 4-6)	1	
4	GN05A	5/8" GALV HEX NUT (A325)	16	0.08 LBS
5	GWL05	5/8" GALV LOCK WASHER	16	0.01 LBS
6	GWF05A	5/8" GALV FLAT WASHER (A325)	16	0.03 LBS

REVISIONS				
REV.	ZONE	DESCRIPTION	BY	DATE
A		INITIAL RELEASE	MLO	08/05/99
B		REDRAWN & REVISED	DMW	04/25/01



<p>These drawings and specifications are proprietary property and may be used only for the specific purpose authorized in writing.</p> <p>ALL DIMENSIONS ARE IN INCHES U.O.S. TOLERANCES UNLESS OTHERWISE SPECIFIED:</p> <p>.X = ± .06      ANGLES      ±2° .XX = ± .03      FRACTIONS      ±1/32 .XXX = ± .010</p> <p>REMOVE BURRS AND BREAK EDGES .005</p> <p>DO NOT SCALE THIS PRINT</p>	DRAWN BY: ACG CHECKED BY: TP DATE: 10/14/05 REVISION: <b>B</b>	SHEET: 1 of 1 SCALE: NTS MATERIAL: A36 FINISH: GALV A123 WEIGHT: 24.33 LBS	PART NUMBER: BC4016 DESCRIPTION: PIPE TO PIPE CLAMP DRAWING TYPE: ASSEMBLY DRAWING
---	---	--	--