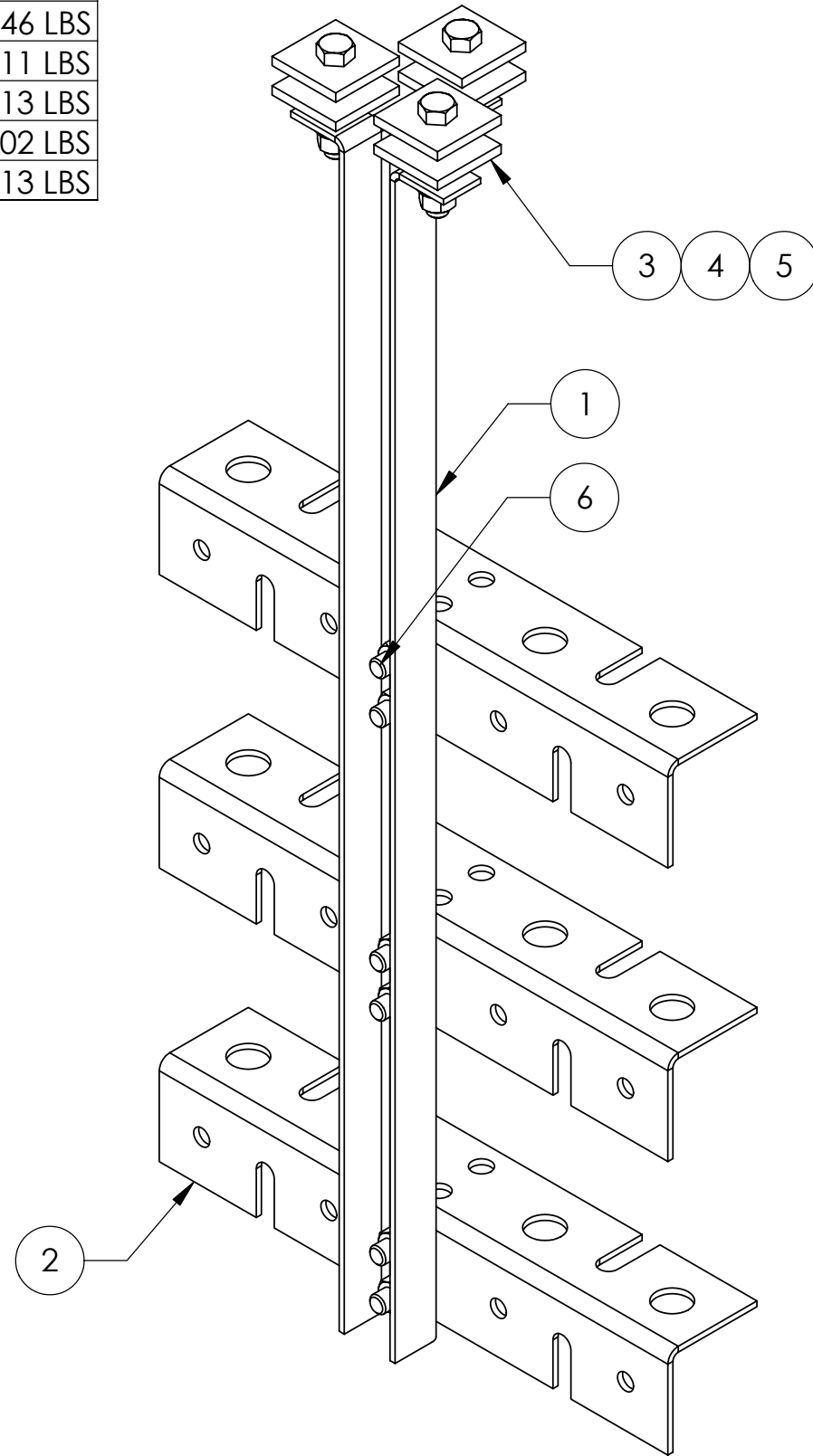


ITEM	PART NO.	DESCRIPTION	QTY.	WEIGHT
1	WBT243.01	VERTICAL TRAPEZE SECTION	1	2.55 LBS
2	WBT123.02	12" HORIZONTAL TRAPEZE SECTION	3	1.46 LBS
3	MT387	SQUARE WASHER, 1½" X 1½" W/ 7/16" HOLE	6	0.11 LBS
4	GB03205	3/8" X 2" GALV BOLT KIT	3	0.13 LBS
5	GWFO3	3/8" GALV FLAT WASHER	3	0.02 LBS
6	GB03105	3/8" X 1" GALV BOLT KIT	6	0.13 LBS

REVISIONS				
REV.	ZONE	DESCRIPTION	BY	DATE
D		REVISED	DI	1/26/05



<p>These drawings and specifications are the proprietary property and may be used only for the specific purpose authorized in writing.</p> <p>ALL DIMENSIONS ARE IN INCHES U.O.S. TOLERANCES UNLESS OTHERWISE SPECIFIED:</p> <p>.X = .06      ANGLES      2° .XX = .03      FRACTIONS      1/32 .XXX = .010</p> <p>REMOVE BURRS AND BREAK EDGES .005</p> <p>DO NOT SCALE THIS PRINT</p>	DRAWN BY: DI	SHEET: 1 of 1	PART NUMBER: WBT123
	CHECKED BY: TP	SCALE: NTS	DESCRIPTION: TRAPEZE KIT
	DATE: 01/27/05	MATERIAL: A36	DRAWING TYPE: ASSEMBLY DRAWING
	REVISION: D	FINISH: GALV A123	WEIGHT: 8.43 LBS