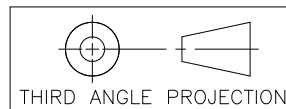
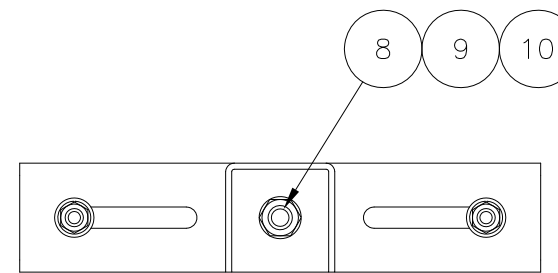
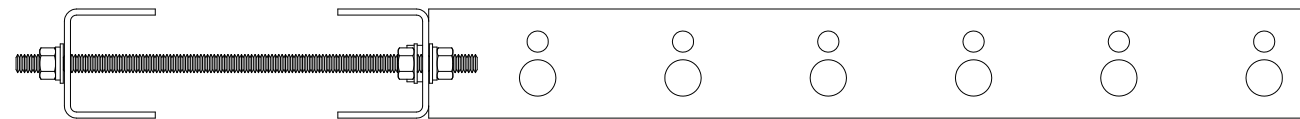
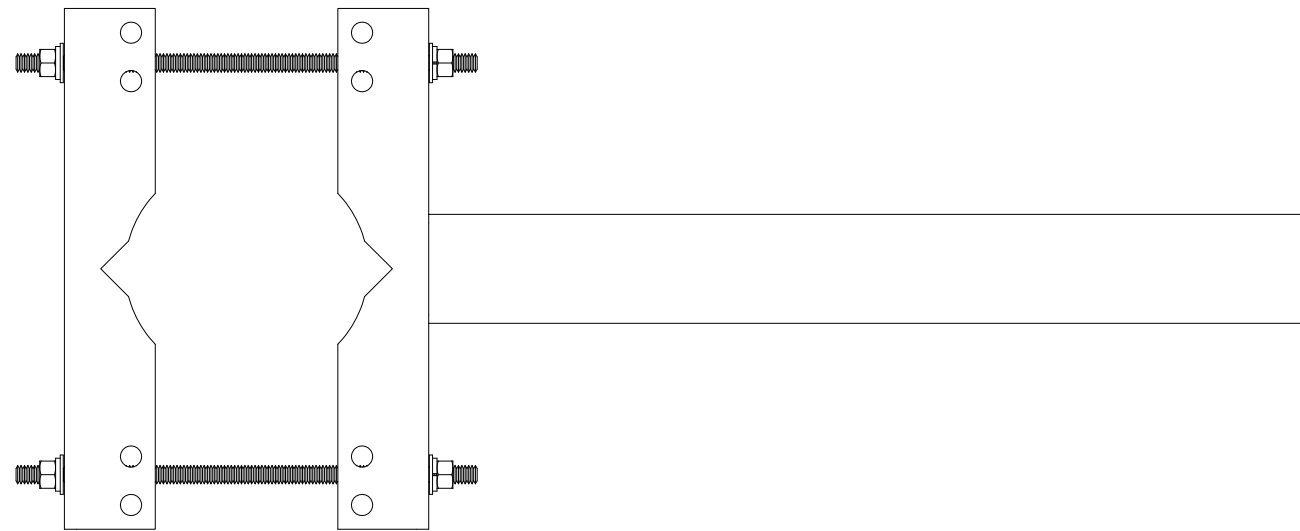
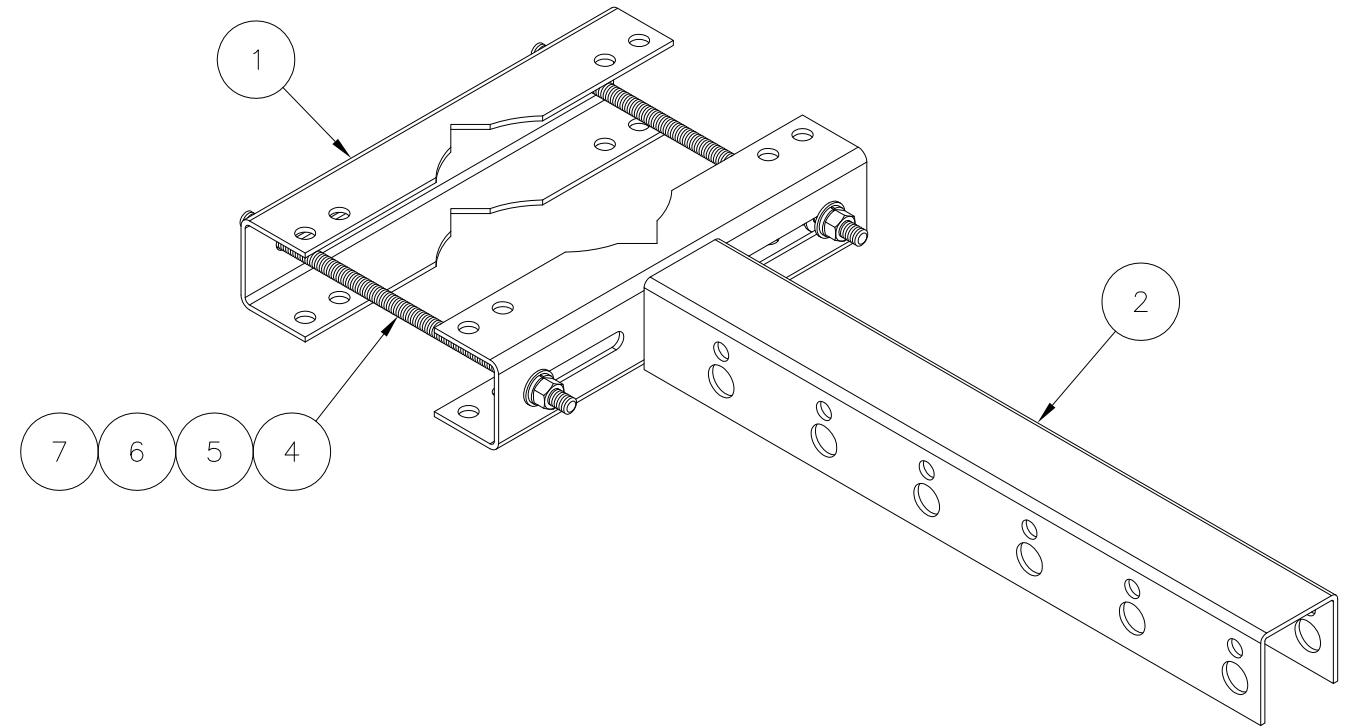


Parts List

ITEM	PART NO.	Description	QTY
1	SS-2550.01	SMALL CLAMP	2
2	SS-TB.02	STAR SUPPORT T BRACKET	1
3	SS-TB2550-H	HARDWARE KIT (ITEMS 5 - 8)	1
4	GD-03950	3/8"-16 UNC X 9-1/2" GALV. THREADED ROD (A307)	2
5	GW-F03	3/8" GALV FLAT WASHER	6
6	GW-L03	3/8" GALV LOCK WASHER	4
7	GN-03	3/8" GALV HEX NUT	6
8	GB-04105	1/2"-13 UNC X 1" GALV. HEX BOLT (GRADE 5)	1
9	GN-04	1/2" GALV HEX NUT	1
10	GW-L04	1/2" GALV LOCK WASHER	1

REVISIONS				
REV.	ECO	DESCRIPTION	BY	DATE
A	MTW	RELEASED	MA	05/15/01
B	MTW	UPDATE PART LIST	ACG	09/19/03
C		UPDATE PART LIST	GSC	12/29/06



ALL DIMENSIONS ARE IN INCHES U.O.S. TOLERANCES UNLESS OTHERWISE SPECIFIED: .X = ±.06 ANGLES ±2' .XX = ±.03 FRACTIONS ±1/32 .XXX = ±.010 REMOVE BURRS AND BREAK EDGES .005	DRAWN BY: MA	DATE: 05/15/01	PART NUMBER: SS-TB2550
	CHECKED BY: TP	SHEET: 1 OF 1	DESCRIPTION: STAR SUPPORT TEE BRACKET 1.5" TO 5.563"OD
	REVISION: C	SCALE: NTS	Drawing Type: Assembly Drawing
		MATERIAL: A36, A568	
DO NOT SCALE THIS PRINT		FINISH: GALV. A123	