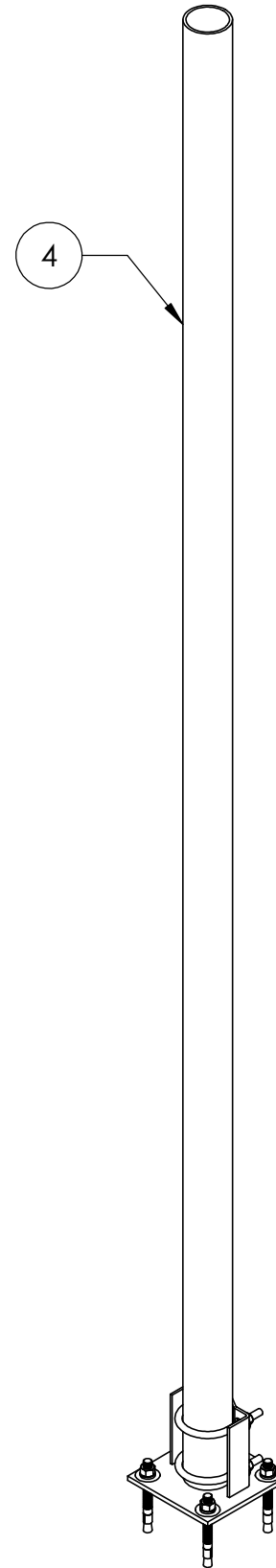
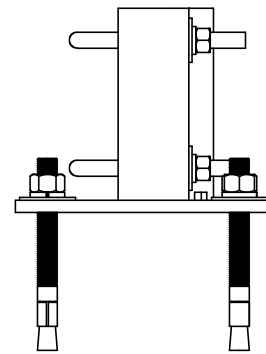
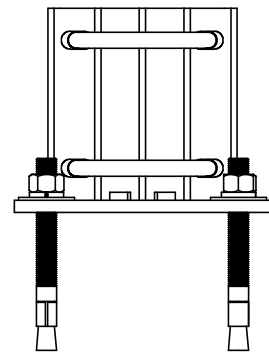
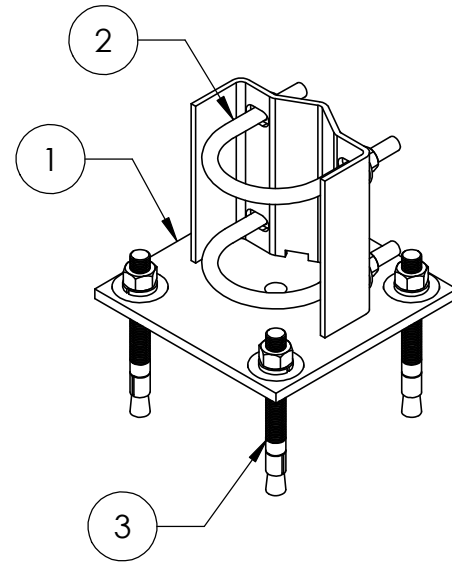
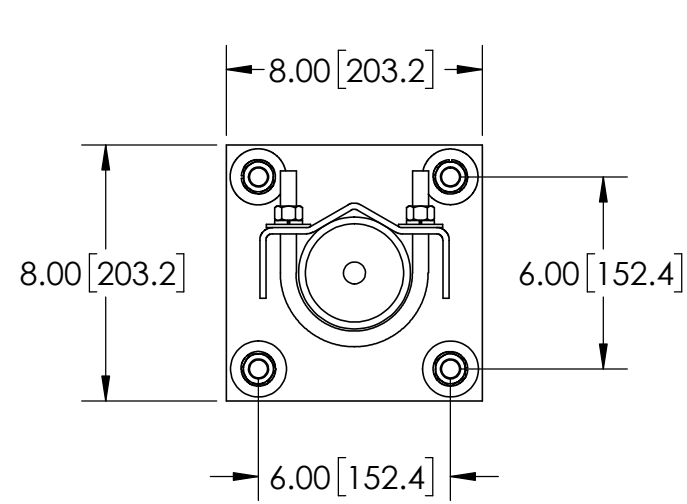


ITEM	PART NO.	DESCRIPTION	QTY.	WEIGHT
1	WBBS.01	FOOT WELDMENT	1	9.81 LBS
2	GUB4355	1/2"-13 UNC X 3-5/8" X 5" GALV U-BOLT	2	0.72 LBS
3	MT-280	5/8" X 6" WEDGE ANCHOR KIT	4	0.47 LBS
4	MT-547-126	Ø3.5" O.D. X 126 PIPE	1	79.83 LBS

REVISIONS				
REV.	ZONE	DESCRIPTION	BY	DATE
A		INITIAL RELEASE	ACG	03/10/05
B		UPDATE TO PLAIN PIPE & BASE SHOE ASSEMBLY	ACG	11/18/21



- NOTES:
- ALL METRIC DIMENSIONS ARE IN BRACKETS.
 - STAMP PART IDENTIFICATION NUMBER.
 - WELDING WORKMANSHIP PER AWS D1.1, TABLE 6.1.

These drawings and specifications are proprietary property and may be used only for the specific purpose authorized in writing. ALL DIMENSIONS ARE IN INCHES U.O.S. TOLERANCES UNLESS OTHERWISE SPECIFIED: .X = ± .06 ANGLES ±2° .XX = ± .03 FRACTIONS ±1/32 .XXX = ± .010 REMOVE BURRS AND BREAK EDGES .005 DO NOT SCALE THIS PRINT	DRAWN BY: ACG	SHEET: 1 of 1	PART NUMBER: MF126
	CHECKED BY: MKV	SCALE: NTS	DESCRIPTION: 3-1/2" OD X 10'6" PIPE & WBBS BASE SHOE
	DATE: 11/18/21	MATERIAL: ASTM A36 & A53	DRAWING TYPE: ASSEMBLY DRAWING
	REVISION: B	FINISH: ASTM A123	
		WEIGHT: 94.01 LBS	