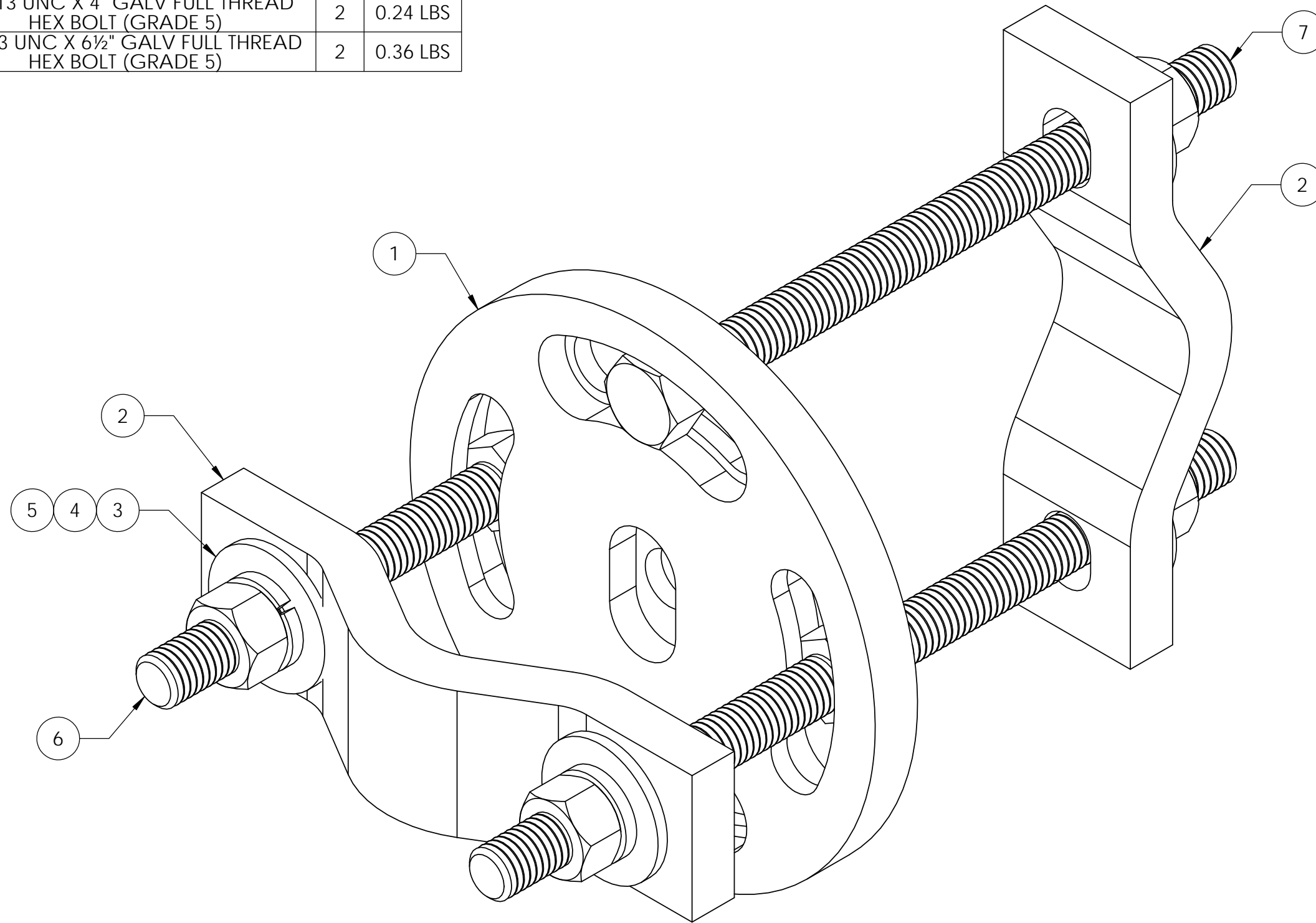


ITEM	PART NO.	DESCRIPTION	QTY.	WEIGHT
1	PCC4.01	PUCK CROSSOVER CLAMP, 4"	1	2.20 LBS
2	SCP10	SMALL DISH CLAMP HALF	2	1.21 LBS
3	GWFO4USS	1/2" GALV WIDE FLAT WASHER (USS)	4	0.04 LBS
4	GWL04	1/2" GALV LOCK WASHER	4	0.01 LBS
5	GN04A	1/2" GALV HEX NUT (A563)	4	0.04 LBS
6	GB04405FT.01	1/2-13 UNC X 4" GALV FULL THREAD HEX BOLT (GRADE 5)	2	0.24 LBS
7	GB04645FT.01	1/2-13 UNC X 6½" GALV FULL THREAD HEX BOLT (GRADE 5)	2	0.36 LBS

REVISIONS					
REV.	ECN	ZONE	DESCRIPTION	BY	DATE
A			INITIAL RELEASE	ACG	06/22/16
B			UPDATE FLAT WASHERS FROM GWFO3A	ACG	10/31/16
C			REMOVED MATERIAL	MKV	4/26/21



NOTES:
1. ALL METRIC DIMENSIONS ARE IN BRACKETS.

These drawings and specifications are the proprietary property of WANHO Manufacturing, LLC and may be used only for the specific purpose authorized in writing by WANHO Manufacturing, LLC.

ALL DIMENSIONS ARE IN INCHES U.O.S.
TOLERANCES UNLESS OTHERWISE SPECIFIED:
.X = ± .06 ANGLES ±2°
.XX = ± .03 FRACTIONS ±1/32
.XXX = ± .010

REMOVE BURRS AND BREAK EDGES .005

DO NOT SCALE THIS PRINT

DRAWN BY: ACG	SHEET: 1 of 1	PART NUMBER: PCC4
CHECKED BY: CC	SCALE: NTS	DESCRIPTION: CROSSOVER CLAMP KIT, 4"
DATE: 06/22/16	MATERIAL:	DRAWING TYPE: ASSEMBLY DRAWING
REVISION: C	FINISH: ASTM A123	
	WEIGHT: 6.20 LBS	