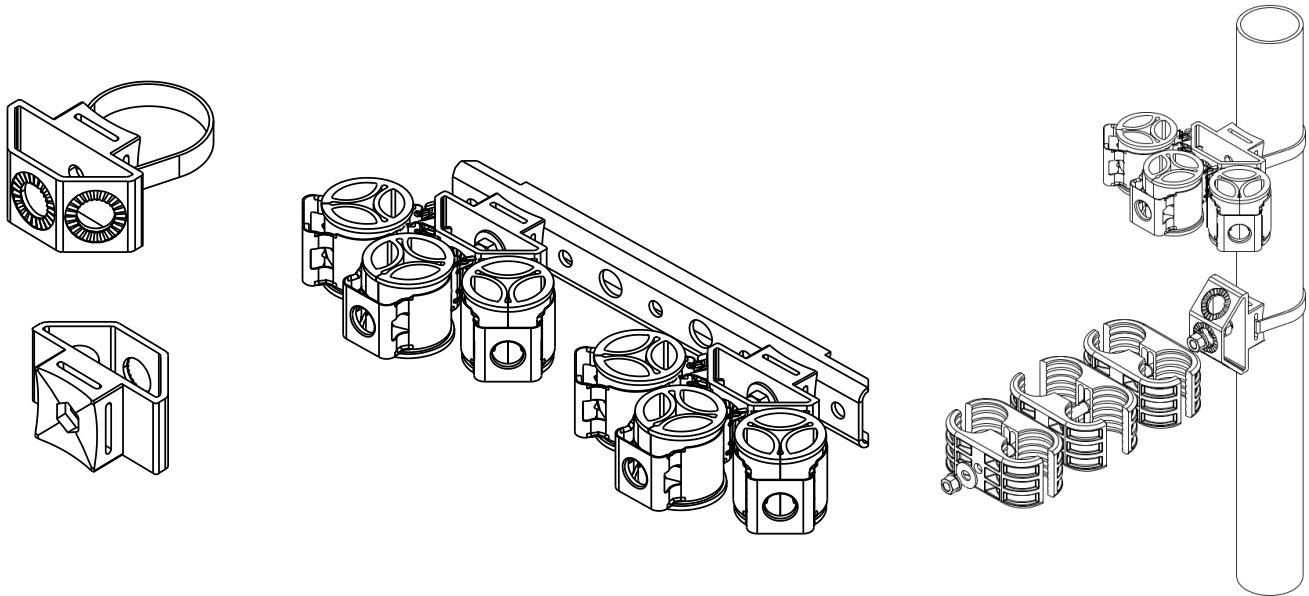


3-Way Universal Stand-Off1800 PR B

PRODUCT DESCRIPTION

3-way Universal Stand-off Adapter provides a low passive intermodulation solution to mount cable hangers. Slots on both sides of the product allow hangers to be mounted vertically or horizontally to flat or round members using 1/2" Acetal tie wraps (sold separately). The Adapter will accommodate hangers that use 3/4" mounting hole or other accessories which utilize a 3/8" hole (3/8" threaded rod applications). Adapter has a hexagonal slot on the underside for a 3/8" nut for ease of installation of threaded rod. Serrations around the 3/4" openings help to align the hangers or cable blocks in the desired orientation. 3-way standoff adapter is made of weather resistant, UV resistant and chemical resistant PA6 material for strength and longevity.

TYPICAL APPLICATIONS



SPECIFICATIONS

Product Type	Stand-off adapter
Product Category	PIM Blocker
Height	1.6" (40.6mm)
Width	2.05" (52.1mm)
Length	3.41" (86.6mm)
Weight	11.244 lb (5.1kg)
Banding slot	1.15" (29.2mm) Fits 2 x 1/2" Acetal banding
Material Type	PA6
Hole Size	3 x 3/4" for snap-in hangers & 1 x 0.41" for threaded rod
