

INSTALLATION INSTRUCTIONS

©2020

Round Member Adapter Kits For Hanger Applications

1035 IB E

PRODUCT DESCRIPTION

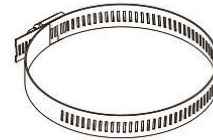
Round Member Adapter Kits provide stainless steel adjustable clamps, which provide an easy method for adapting hangers to small diameter pipes and other round members.

NOTICE

Installation of this product should only be performed by trained, qualified and experienced personnel. Installation instructions for this product should be read thoroughly before installation is performed. The manufacturer and supplier of this product disclaims any liability or responsibility for the results of improper or unsafe installation practice.

MATERIAL LIST

Round Member Adapter Kits include (10) stainless steel Adjustable Clamps.

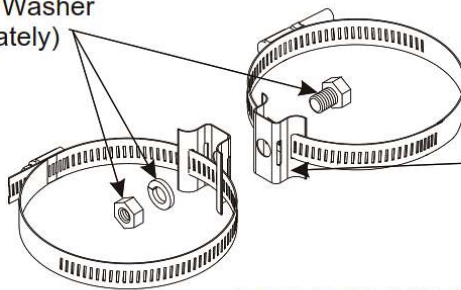


REQUIRED TOOLS

5/16" Nut Driver -or-
Standard Tip Screw Driver

TYPICAL APPLICATIONS

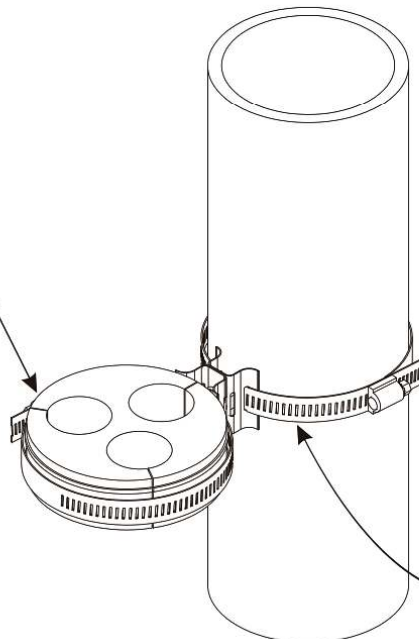
3/8" Nut, Bolt & Washer
(Ordered separately)



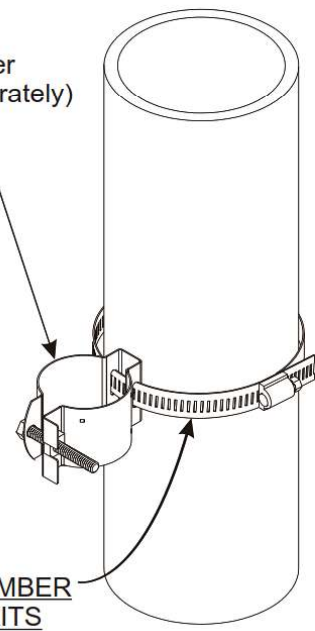
PRE-FORMED
MOUNTING CLIP
(Order separately)

ROUND MEMBER ADAPTER KITS

Cushion Hanger
Assembly
(Ordered separately)



Butterfly Hanger
(Ordered Separately)



ROUND MEMBER ADAPTER KITS