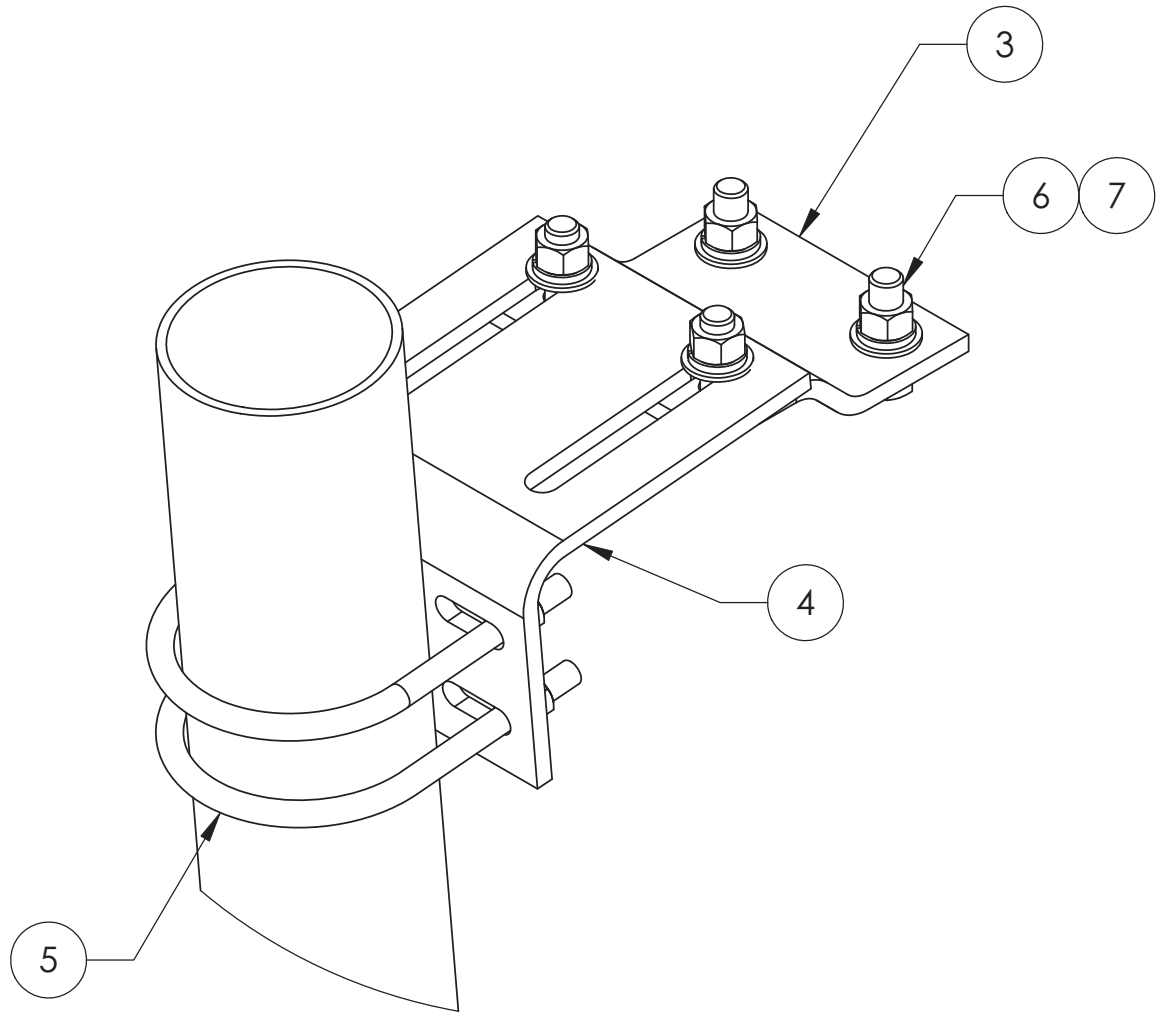
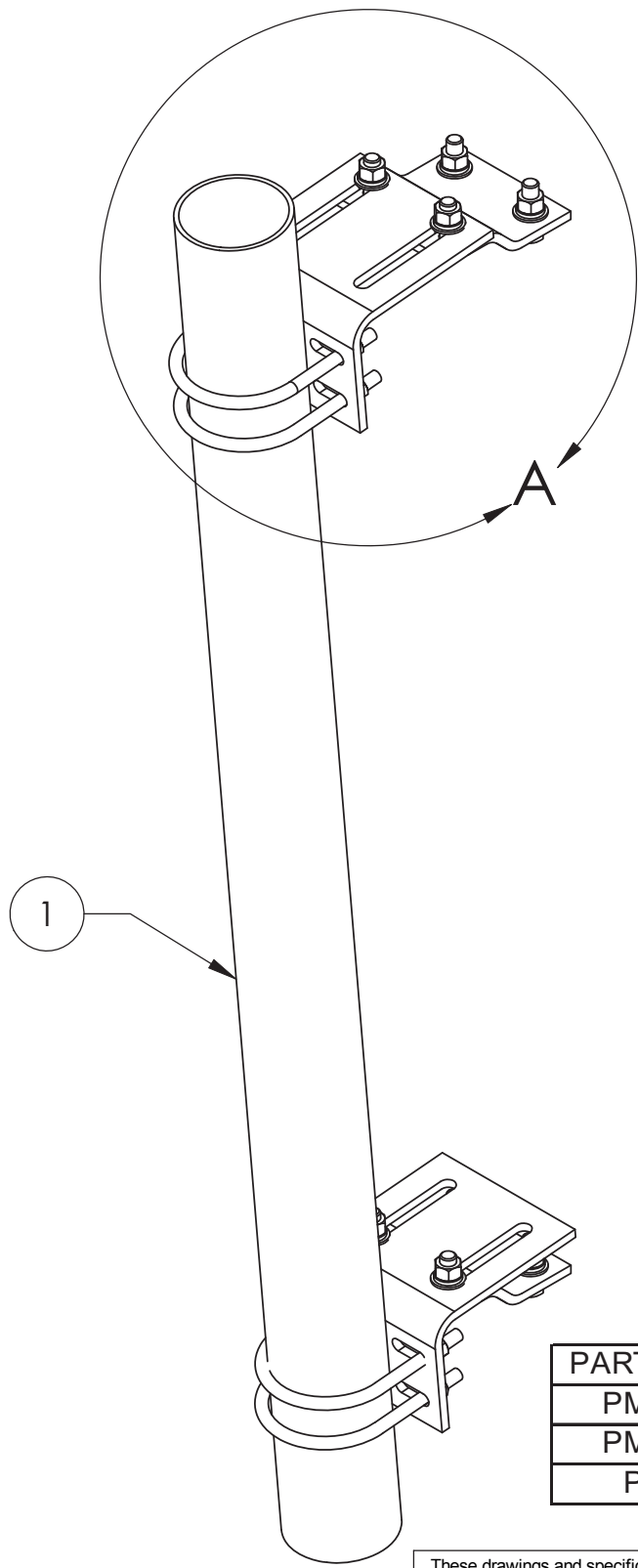


ITEM	PART NO.	DESCRIPTION	QTY.	WEIGHT
1	MT-XXX	PLAIN END PIPE 4-1/2" (SEE TABLE)	1	-
2	PMSL4	BASE KIT (ITEMS 3-7)	1	-
3	PMSL.01	S-BRACKET	2	4.28 LBS
4	PMSL.02	L-BRACKET	2	7.94 LBS
5	GUB4456	1/2" X 4-5/8" X 6-1/2" GALV U-BOLT KIT	4	0.91 LBS
6	GB05205	5/8" X 2" GALV BOLT KIT	8	0.13 LBS
7	GWF05	5/8" GALV FLAT WASHER	8	0.02 LBS

REVISIONS				
REV.	ZONE	DESCRIPTION	BY	DATE
A		INITIAL RELEASE	AW	12/08/04
B		ADDED FLAT WASHER	ACG	7/5/2005
C		UPDATE ITEM PMSL02	MSM	05/06/09



DETAIL A
SCALE 2 : 7



PART NUMBER	PLAIN END PIPE	DESCRIPTION	WEIGHT
PM-SL4-63	MT-653-63	PLAIN END PIPE 4-1/2" OD X 63"	88.3 LBS
PM-SL4-96	MT-654-96	PLAIN END PIPE 4-1/2" OD X 96"	119.3 LBS
PM-SL4	N/A	N/A	31.3 LBS

These drawings and specifications are proprietary property and may be used only for the specific purpose authorized in writing. ALL DIMENSIONS ARE IN INCHES U.O.S. TOLERANCES UNLESS OTHERWISE SPECIFIED: .X = .12 ANGLES 2' .XX = .06 FRACTIONS 1/32 .XXX = .03 REMOVE BURRS AND BREAK EDGES .005 DO NOT SCALE THIS PRINT	DRAWN BY:	SHEET:	PART NUMBER:
	AW	1 of 1	PMSL4 SERIES
	CHECKED BY:	SCALE:	DESCRIPTION:
	TP	NTS	SLIDE MOUNT 4-1/2" OD PIPE
DATE:	MATERIAL:	DRAWING TYPE:	
12/08/04	A36	ASSEMBLY DRAWING	
REVISION:	FINISH:		
C	GALV A123		
	WEIGHT:		
	SEE TABLE		