

# INSTALLATION INSTRUCTIONS

©2012

## Universal Snap-in Hanger Kits / Barrel Cushions for Cable Applications

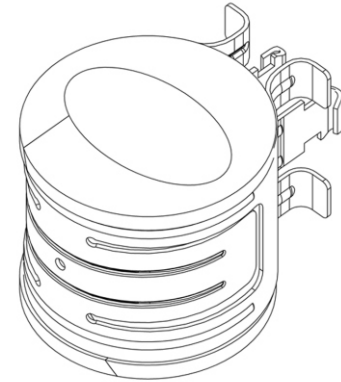
1713 IB C

### PRODUCT DESCRIPTION

Universal Snap-in Hangers simplify installation of cable and when used with elliptical barrel cushions are also good for elliptical waveguide installations by eliminating the need for mounting hardware. Snap-ins are easily placed over the cable, inserted into a pre-punched 3/4" hole and snapped into place. This unique universal design can be utilized to support a variety of brands of cable. Snap-in Hangers securely lock your cable into position. Inadvertent "pop-outs" caused by excessive or rounded galvanized edges on tower members are eliminated.

### NOTICE

Installation of this product should only be performed by trained, qualified and experienced personnel. Installation instructions for this product should be read thoroughly before installation is performed. The manufacturer and supplier of this product disclaims any liability or responsibility for the results of improper or unsafe installation practice.



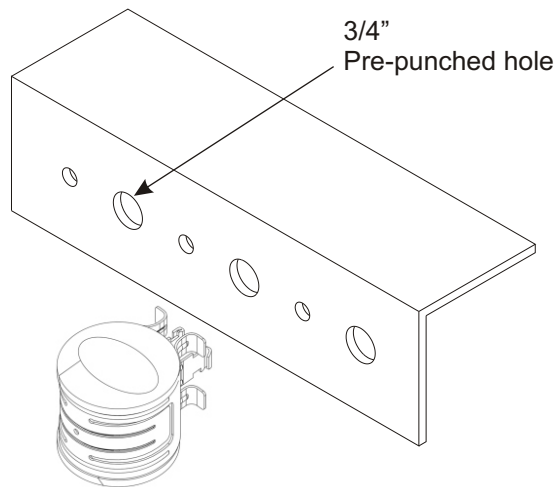
### REQUIRED TOOLS

- No tools required.

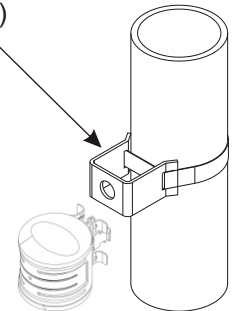
## TYPICAL APPLICATIONS

### INSERTION DIRECTIONS

- ① Spread Hanger Open
- ② Insert Cushion on Cable
- ③ Insert Cushion in Hanger
- ④ Squeeze Hanger
- ⑤ Insert Hanger



STAND-OFF ADAPTER  
(Ordered separately)



NOTE: Thickness of pre-punched member: .120" - .135" (3.0mm - 3.4mm)

